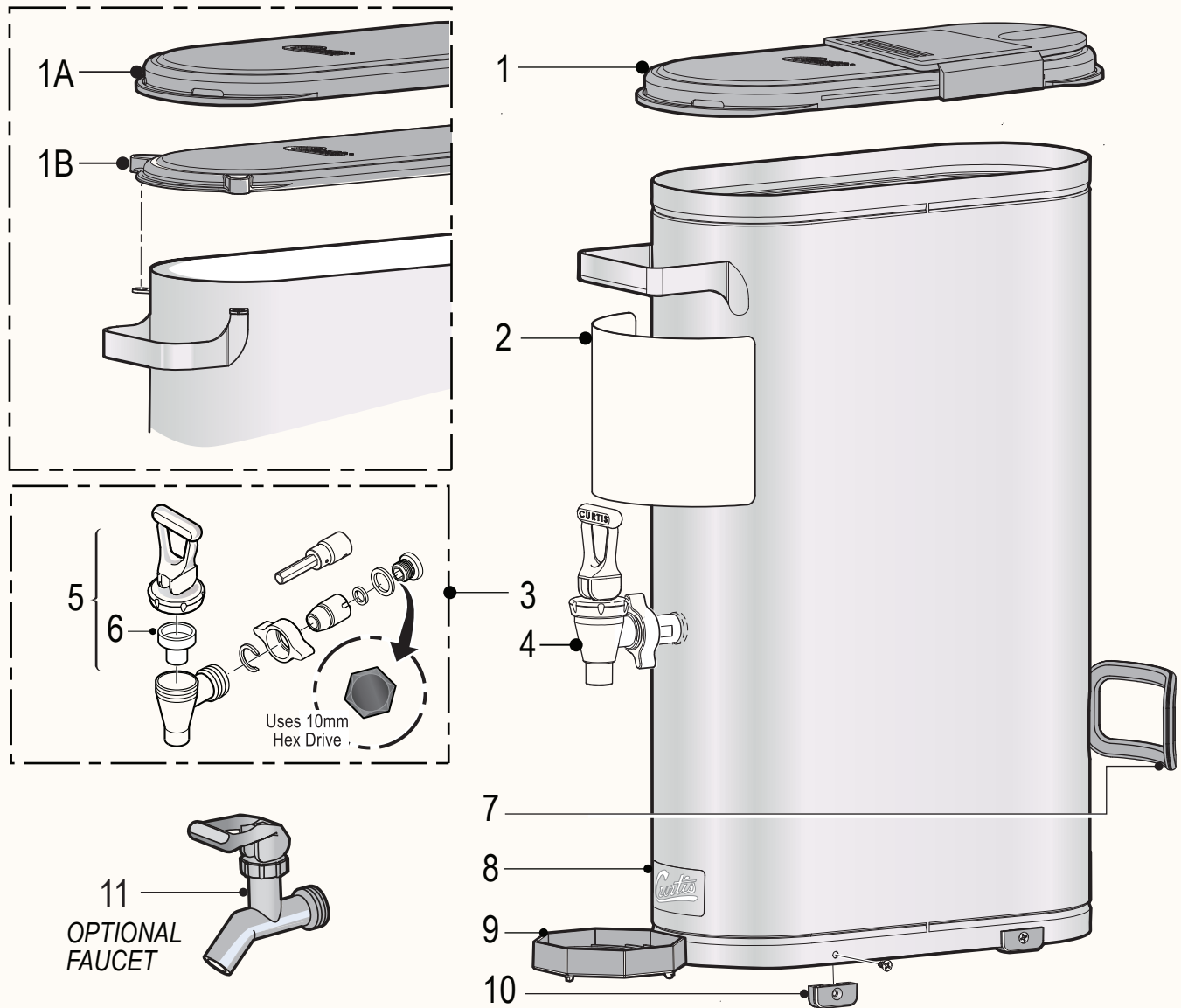


Parts List – TCN



ITEM	PART N°	DESCRIPTION	ITEM	PART N°	DESCRIPTION
1	WC-56052	LID, BREW THROUGH TCN	6	WC-1805	SEAT CUP, FAUCET S'
1A	WC-56036	LID, PLASTIC TCN (OLD)	7	WC-3289	HANDLE, GASKET
1B	WC-61436	LID, BLACK PLASTIC (OLD)	8	WC-38163	LABEL, CURTIS WHT TRANSFER
2	WC-38471	LABEL, FRONT TCN GENERIC	9	WC-5686	DRIP TRAY, OCTAGON STYLE
3	WC-37260	KIT, FAUCET W/ADAPTER CMPLT	10	WC-3531	LEG, PLASTIC GLIDE TCN
4	WC-1803	FAUCET, SPB	11	WC-1840	FAUCET, PINCH TUBE TC
5	WC-3707	KIT, REPAIR SPB FAUCET			

