

Platinum

- P36W-CCC
- P48W-CCCC
- P60W-CCCCC
- P72W-CCCCCC

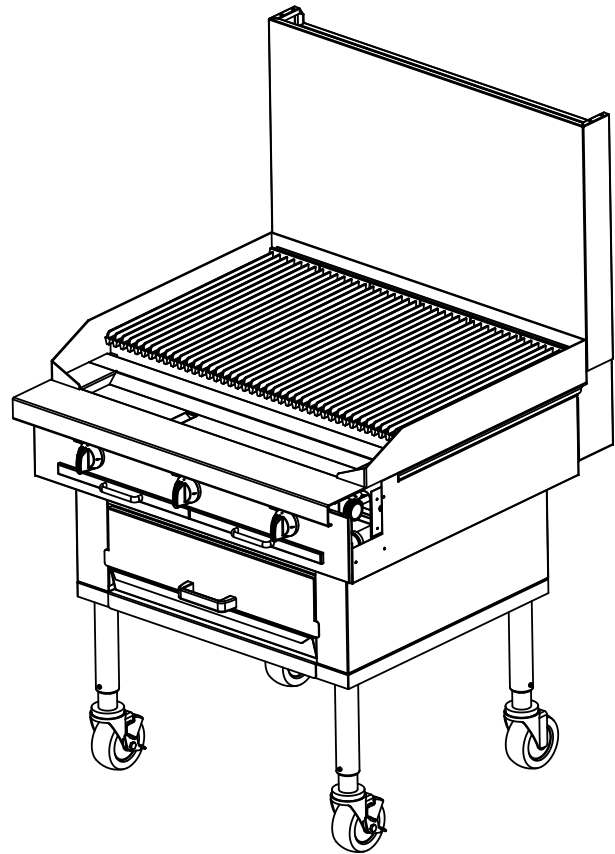
Job _____
Item# _____

Standard Features

- Standard (2) years limited parts and labor warranty (reference <http://www.southbendnc.com/#SBvservice.html> for limited warranty details).
- 36", 48", 60", 72"-wide sectional range with full-width charbroiler with smoker base.
- 16,000 BTU burners with high/low control knobs
- Removable cast iron grates with adjustable front-to-back slope that flip over for either 1/8" or 1/4" grid width
- 600°F even surface temperature on high setting
- Stainless steel burner radiants
- 9-1/4" front rail
- Removable drip tray
- Stainless steel front and sides
- 1-1/4" front gas manifold and 1" rear gas connection
- 5" high stainless steel flue riser
- Free battery-design assistance

Standard Features of Smoker-Base Models

- Heavy duty stainless steel construction
- Stainless steel or black powder coated handle
- Available with adjustable legs or casters
- Stationary wood rack standard.
- "Insta-On" thermostat ranging from 150°F to 500°F



(P36W-CCC shown with optional casters)

STANDARD CONSTRUCTION SPECIFICATIONS

Exterior Finish: Front and sides constructed of #3 polished 430 and 304 stainless steel.

Range: 36", 48", 60", and 72" -wide front-manifold sectional range with 16,000 BTU burners. Full-width charbroiler with removable cast iron grates and operating surface temperature of up to 600°F (315°C).

Front Rail: 9-1/4" front rail.

Flue Riser 5" high stainless steel flue riser

Battery: Unit can be in any position in a battery. If the unit is at the end of the battery, the end side will be solid (rather than have a coverplate over the end of the front manifold).

Legs: 6" stainless steel adjustable legs standard.



Models: P36W-CCC P48W-CCCC P60W-CCCCC P72W-CCCCCC

DIMENSIONS		
MODEL	A	B
P36W-CCC	36" (914)	27.5" (699)
P48W-CCCC	48" (1219)	39.5" (1003)
P60W-CCCCC	60" (1524)	51.5" (1308)
P72W-CCCCCC	72" (1829)	63.5" (1612)

Dimensions shown in inches and (millimeters)

UTILITY INFORMATION

MODEL	GAS (BTU/HOUR)	
	NATURAL	PROPANE
P36W-CCC	96,000	84,000
P48W-CCCC	128,000	112,000
P60W-CCCCC	160,000	140,000
P72W-CCCCCC	192,000	168,000

GAS: Each unit has a 1-1/4" front manifold that couples to the adjacent sectional unit(s), and a 1" rear gas connection with a male NPT connector. Minimum gas supply pressure is 7" W.C. for natural gas and 11" W.C. for propane. All sectional units require a regulated gas supply (a pressure regulator must be ordered separately). If using a flexible-hose gas connection, the inside diameter of the hose must not be smaller than the connector on the unit and must comply with ANSI Z21.69, providing an adequate means of restraint to prevent undue strain on the gas connection.

MISCELLANEOUS

- If casters are used with a flexible-hose gas connection, a restraining device should be used to prevent undue strain on the hose.
- Minimum clearance from noncombustible construction is zero (except there must be 2" clearance behind the blower motor of convection-oven models). For use in noncombustible locations only.
- Installation under a vented hood is recommended.
- Check local codes for fire and sanitary regulations.

NOTICE:

Southbend has a policy of continuous product research and improvement. We reserve the right to change specifications and product design without notice. Such revisions do not entitle the buyer to corresponding changes, improvements, additions or replacements for previously purchased equipment.

OPTIONS and ACCESSORIES

- External pressure regulator
- Casters (front two casters lock)
- Extra-deep rear-extending flue riser
- Front rail options:
 - Cutouts in front rail for sauce pans
 - Cable restraint kit (to restrict movement when on casters)
 - Stainless steel oven interior
 - 7-1/4" deep front rail (to match old style sectional)
 - 24" or 36" high flue riser
 - Removable shelf inside cabinet
 - Square belly bar mounted on 7-1/4" deep front rail
 - Open-frame base with casters for battery
 - Plated fish grids

**INTENDED FOR COMMERCIAL USE ONLY.
NOT FOR HOUSEHOLD USE.**



1100 Old Honeycutt Road, Fuquay-Varina, NC 27526
(919) 762-1000 www.southbendnc.com