

Features

- SONG cast iron
- Acid-resistant enamel finish
- Single bowl
- Self-rimming and undercounter model available
- Self-rimming model with 1-hole (-1), 2-hole (-2), 3-hole available
- 15" (38.1cm) x 15" (38.1cm)



Codes/Standards Compliance

Specified model meets or exceeds the following specifications:

- American Standard ASME A112.19.1M
- British Standard BS EN 13310:2003
- Canadian Standard CSA B45
- European Standard EN 13310-2003
- IAPMO/cUPC

Colors

- 70 white
- Other refer to price book

Specific Model

Model #	Description	Color	
S-8280-1	1 Hole Sink (center, self-rimming)	<input type="checkbox"/> 70	<input type="checkbox"/> Other _____
S-8280-2	2 Hole Sink (center, self-rimming) 4" center	<input type="checkbox"/> 70	<input type="checkbox"/> Other _____
S-8230-3	3 Hole Sink (self-rimming) 8" centerset	<input type="checkbox"/> 70	<input type="checkbox"/> Other _____
S-8280-U	Large oversized hole sink (undercounter)	<input type="checkbox"/> 70	<input type="checkbox"/> Other _____

Product Specifications

The kitchen sink shall be made of cast iron with acid-resistant enamel finish. Sink shall be double (large-medium) bowl. Sink shall be self-rimming, or undercounter mount. Sink shall be 1-hole, 2-hole or 3-hole Sink shall be 33" (83.8cm) in length and 22" (55.9cm) in width. Sink shall be SONG model S-8280 ____ - ____

ENTERTAINMENT SINK
S-8280

Technical Details *

Entertainment Sink	
Bowl area	13.5" x 10.75" (343mm x 273 mm)
Bowl depth	9" (229 mm)
Drain hole	3.75" (96 mm)
Faucet holes self rimming	1.375" (35 mm)
Faucet holes undercounter	2.375" (60 mm)

* All measurements are approximate and for comparison only.

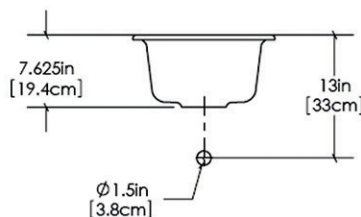
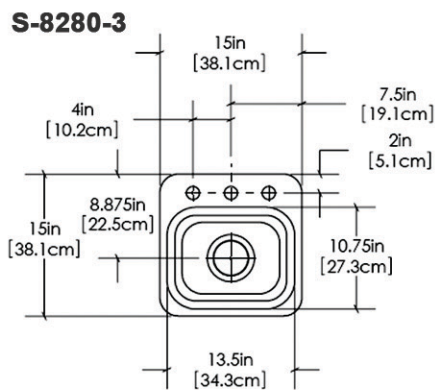
Installation Notes

Install this product according to the installation guide.

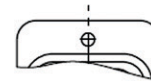
Song recommends that an experienced cabinet maker use the actual sink to build the new cabinet or modify an existing cabinet.

Included Components

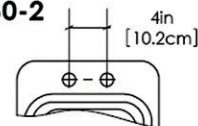
Undermount Sink Kit	S-2300
Undermount Cut-out Template	S-8280U-T
Self Rimming Cut-out Template	S-8280-T



S-8280-1



S-8280-2



S-8280-U

