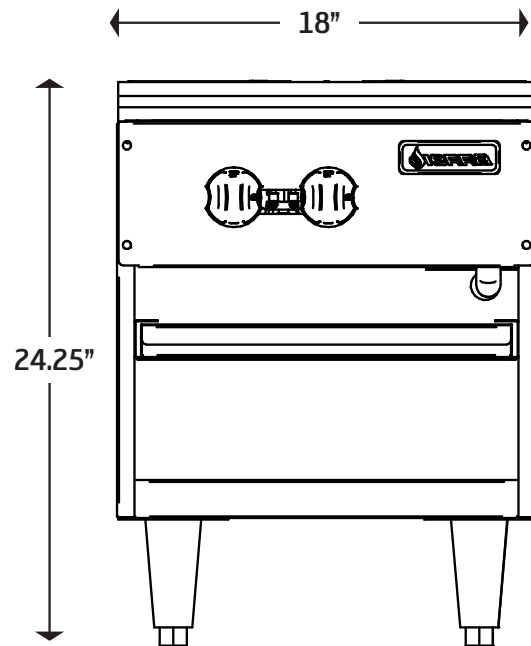
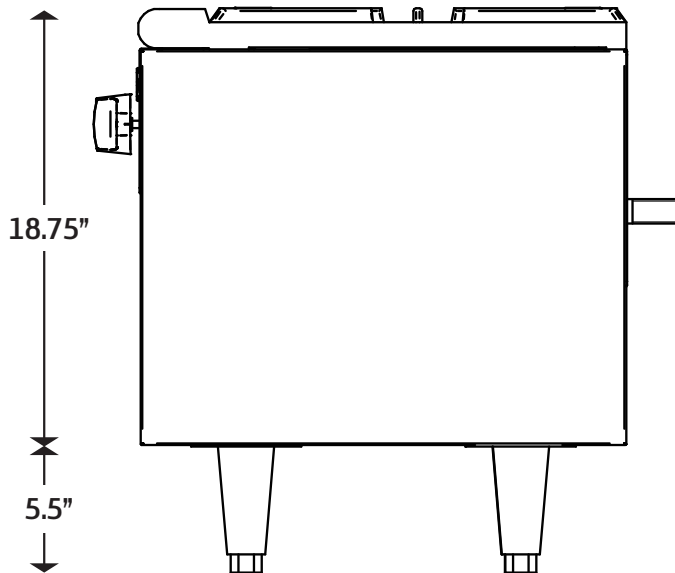


## SPECIFICATIONS

MODEL NUMBER	SRSP-18
EXTERNAL DIMENSION (INCH)	18" X 21" X 24.25"
NUMBER OF BURNERS	2
BTU (EACH BURNER)	45,000
TOTAL BTU	90,000
SHIPPING WEIGHT	137 LBS



Warranty: 12 months parts & labor.

SIERRA RANGE is a registered trademark of MVP Group.  
Specifications subject to change without notice.



PROJECT NAME: \_\_\_\_\_

LOCATION: \_\_\_\_\_

ITEM: \_\_\_\_\_ QTY: \_\_\_\_\_

MODEL: \_\_\_\_\_

# SRSP-18

## STOCK POT RANGE

With its all-stainless steel interior and exterior construction, the SRSP-18 includes heavy duty cast iron burners, each rated at 90,000 BTU/Hr, providing lightning quick heating. The dual control valves, for the inner and outer rings, allow maximum precision to maintain desired heat. The full width drip tray catches spills, with a lower cabinet for storage. The Stock Pot Range features a modern look and design, form and function fit for the most demanding kitchens at an affordable price. All with the ease of modular customization.



## STANDARD FEATURES

- STAINLESS STEEL CONSTRUCTION: INTERIOR AND EXTERIOR FRONT, SIDES, LANDING LEDGE AND VALVE CONTROLS
- HEAVY GAUGE WELDED FRONT FRAME
- HEAVY DUTY 18" X 21" CAST IRON TOP GRATES, EASILY REMOVABLE FOR EASY CLEANING, INDUSTRY STANDARD SIZE
- LIFT-OFF TOP TWO PIECE, CAST IRON BURNERS
- ONE STAINLESS STEEL STANDING PILOT FOR EACH BURNER FOR INSTANT IGNITION
- PILOT SHIELD PROTECTS PILOT FROM SPILLS AND GREASE
- FULL WIDTH DRIP TRAY TO CATCH SPILLS
- DUAL CONTROL VALVES; ONE FOR THE INNER RING AND ONE FOR THE OUTER RING
- SLOPING DESIGN OF CAST IRON BOWL GUIDES ANY SPILL AWAY FROM THE BURNER'S PORTS, PROTECTS THE FLAME AND PREVENTING CLOGS
- STURDY LOWER CABINET STORAGE CAVITY