



## WASTE RECEPTACLE FOR PUBLIC USE SANIFLOW CORP.

### RECTANGULAR WASTE RECEPTACLE STAINLESS STEEL AISI 304 SATIN FINISH

Code: **PP0279CS**

#### General Description

- Waste receptacle, 6.6 Gal. (25 L.) of capacity, wall mounted or floor standing, stainless steel AISI 304 satin finish.
- Suitable for lavatories and in-doors public areas with medium traffic.
- Model suitable for public use.
- When set in a lavatory, it generally goes along with a paper tissue dispenser and complemented by a warm air hand dryer.

#### Components & Materials

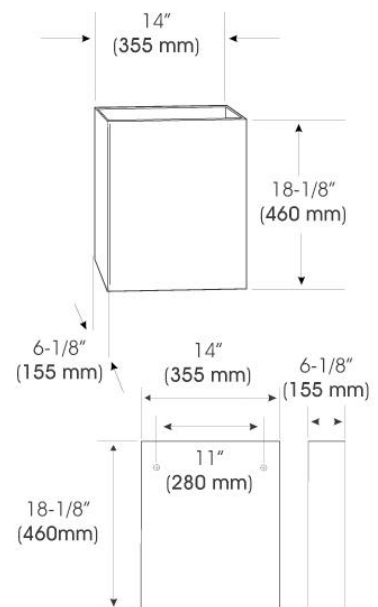
- Stainless steel AISI 304 body, 20-gauge (1 mm.), satin finish. One-piece manufactured, fully sealed. Capacity 6.6 Gal. (25 L.). For standing on the floor or wall mounting by means of 4 slot holes drilled on the back of the appliance.

#### Technical Specifications

Dimensions	14"W x 18-1/8"H x 6-1/8"D
Weight (empty)	7.7 Lbs.
Capacity	6.6 Gal. (25 L.)

#### Operation

Place the waste straight into the waste receptacle.



Dim ± 4%

#### Specification

6.6 Gal. (25 L.) waste receptacle shall be made of stainless steel AISI 304, 20-gauge (1 mm.), satin finish. The body shall be one-piece manufactured, fully sealed. The waste receptacle shall be suitable for standing on the floor or wall mounting by means of the 4 slot holes drilled on the back of the appliance. Overall dimensions shall be 14"W x 18-1/8"H x 6-1/8"D.

6.6 Gal. (25 L.) waste receptacle shall be model PP0279CS, stainless steel AISI 304, satin finish, of Saniflow Corp., 2655 Le Jeune Road Suite 810, Coral Gables, FL 33134.

**Saniflow Corp. reserves the right to make changes and/or modifications to the products and their specifications without warning or notice.**

Revision 04-2004

© Saniflow Corp.