



WASTE RECEPTACLE FOR PUBLIC USE SANIFLOW CORP.

**RECTANGULAR WASTE RECEPTACLE
STEEL WHITE EPOXY**

Code: PP0279

General Description

- Waste receptacle, 6.6 Gal. (25 L.) of capacity, wall mounted or floor standing, steel white epoxy coated
- Suitable for lavatories and in-doors public areas with medium traffic.
- Model suitable for public use.
- When set in a lavatory, it generally goes along with a paper tissue dispenser and complemented by a warm air hand dryer.

Components & Materials

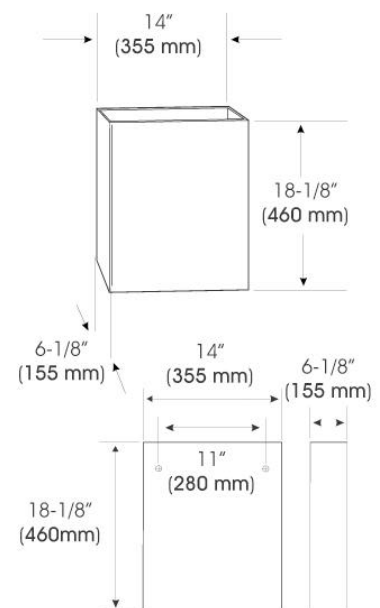
- Steel white epoxy coated body, 20-gauge (1 mm). One-piece manufactured, fully sealed. Capacity 6.6 Gal. (25 L.). For standing on the floor or wall mounting by means of 4 slot holes drilled on the back of the appliance.

Technical Specifications

Dimensions	14"W x 18-1/8"H x 6-1/8"D
Weight (empty)	7 Lbs.
Capacity	6.6 Gal. (25 L.)

Operation

Place the waste straight into the waste receptacle.



Dim ± 4%

Specification

6.6 Gal. (25 L.) waste receptacle shall be made of steel white epoxy coated, 20-gauge (1 mm). The body shall be one-piece manufactured, fully sealed. The waste receptacle shall be suitable for standing on the floor or wall mounting by means of the 4 slot holes drilled on the back of the appliance. Overall dimensions shall be 14"W x 18-1/8"H x 6-1/8"D.

6.6 Gal. (25 L.) waste receptacle shall be model PP0279, steel white epoxy coated, of Saniflow Corp., 2655 Le Jeune Road Suite 810, Coral Gables, FL 33134.

Saniflow Corp. reserves the right to make changes and/or modifications to the products and their specifications without warning or notice.

Revision 04-2004

© Saniflow Corp.