

SENSOR OPERATED

Machflow



M09A – White finish



M09AC – Bright finish



M09ACS – Satin finish



M09AB-Black finish

General Description

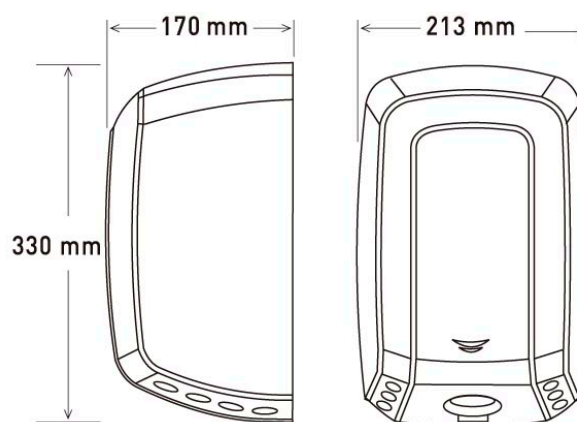
- Sensor operated.
- Maximum air power and effective airflow.
- Long lasting compact units with anti-vandalism features.
- Suitable for very high traffic areas.
- Maximum air velocity 325Km/h.

Components & materials

- **M09A:** Steel one-piece cover white Epoxy painted, 1,5 mm thick.
- **M09AC:** Stainless steel one-piece cover bright finish, 1,5 mm thick.
- **M09ACS:** Stainless steel one-piece cover satin finish, 1,5 mm thick.
- **M09AB:** Steel one-piece cover black Epoxy painted, 1,5 mm thick.
- The base plate includes silent-blocks to cushion the mechanical vibrations.
- Vacuum universal brush motor, F class. Rpm may be adjusted manually by means of a potentiometer.
- Plastic parts made in PA6V0
- Disconnects automatically after 60 seconds of continuous use.
- Fully adjustable IR electronic detection sensor by means of a potentiometer.

Technical Specifications

Voltage	220 - 240 V
Frequency	50 / 60 Hz
Insulation	Class I
Dimensions	330 x 213 x 170 mm
Weight	5,1 Kg
Air speed	191-325 Km/h
Total Power	420 - 1.100 W
Consumption	3,2 - 5 A
rpm	19.000 - 30.000 min
Air temperature (room temp.= 21°C)	40 °C
Drying time	10 – 15 sec
Noise level (at 2 m)	67 - 74 dBA
Protection level	IP23
Automatic disconnection	60 s



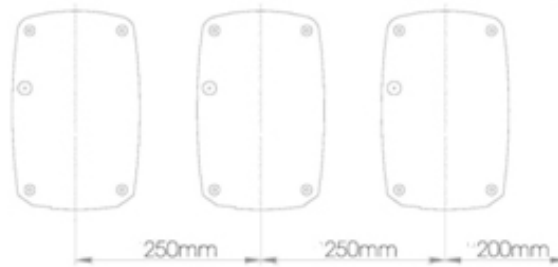
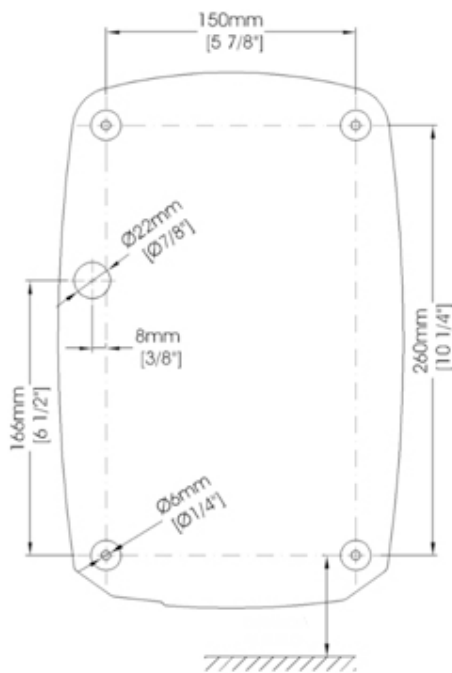
Dim. +/-4%

Operation

Place the hands under the air outflow valve. The dryer will start automatically, and go on with no interruption as long as the hands are kept in the detection range of the sensor. The appliance will stop 2 seconds after the hands are removed from the airflow.

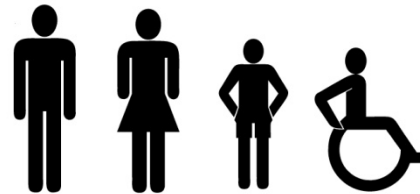
MOUNTING

RECOMMENDED HEIGHTS DISTANCE FROM THE FLOOR



H = Distance from floor

المسافة من الأرض = H



120 cm (47")	115 cm (45")	95 cm (37")	100 cm (40")
-----------------	-----------------	----------------	-----------------

Certificates & Qualifications



Mediclinics, S.A., reserves the right to make changes and/or modifications to the products and their specifications without prior notice.
Revision 01-14 © mediclinics S.A.

