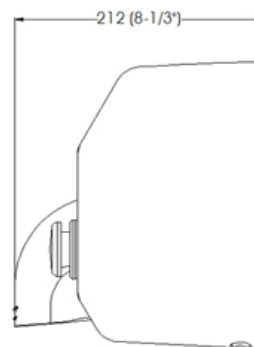
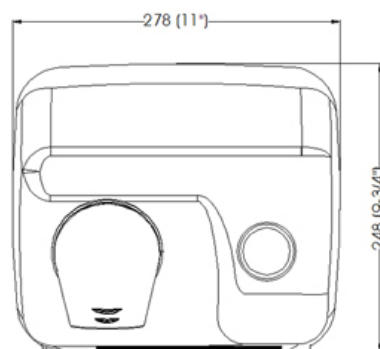


**SANIFLOW PUSH-BUTTON OPERATED
STEEL CHROMED BRIGHT FINISH**
Código: E88C
General description

- Warm air hand dryer.
- Push-button operated.
- Maximum power and airflow.
- Maximum robustness and vandal-proof.
- Suitable for very high traffic facilities.
- It normally goes along with a soap dispenser.


Components and Materials

- Steel one-piece cover chromed bright finish, 1,5 mm thick. Cover fixed to the base by means of 2 vandal-proof lock screws and lock with special Saniflow ® wrench.
- Base in aluminium, 3 mm thick, with 4 Ø 8 mm holes for wall mounting.
- Fire resistant plastic UL 94-VO fan scroll.
- Universal brush motor, 5.500 rpm, F class, which includes a safety thermal cut-off.
- Aluminium centrifugal double symmetrical inlet fan wheel.
- Waved wire NiCr heating element on a mica frame that incorporates a thermal cut-off.
- 360° Nozzle in chrome plated zamak.
- Push-button in chrome plated zamak, that activates an electronic timer with a 34 seconds cycle.
- 4 silent blocks to eliminate vibrations.



Dim.: ±4%

Technical Specifications

Voltage - 220-240 V	Total power - 2250 W
Frequency - 50/60 Hz	Motor power - 250 W
Electrical isolation - Clase I	Heating element power - 2000 W
Dimensions - 248x 278x 212 mm	Consumption - 10 A
Weight - 6,5 Kg	RPM - 5500
Effective airflow - 330 m³/h / 5.500 l/min	Air temperature(10 cm distance / 21 °C) - 53 °C
Nominal airflow - 470 m³/h / 7800 l/min	Noise level (at 2 m) - 70 dB
Air velocity - 96 Km/h	Protection level - IP23

Operation

Press the button to initiate the drying process. The dryer will go on with no interruption for 34 seconds.

Installation

Please refer to Back

Certificates & Qualifications

ISO 9001:2008, CE, GS, EMC (VDE), GOST.

Compliant with electrical safety directives 2006/95/EC and electro-magnetic compatibility directives 2004/108/CE.

Mediclinics, S.A., reserves the right to make changes and/or modifications to the products and their specifications without prior notice.