



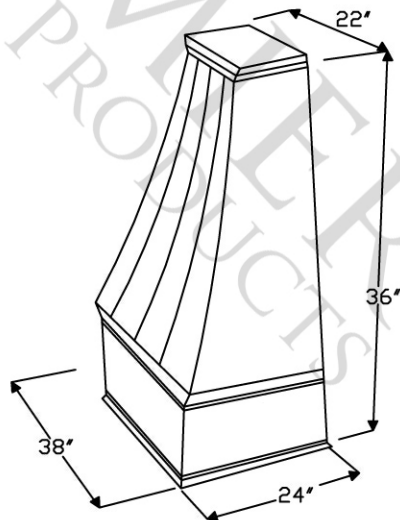
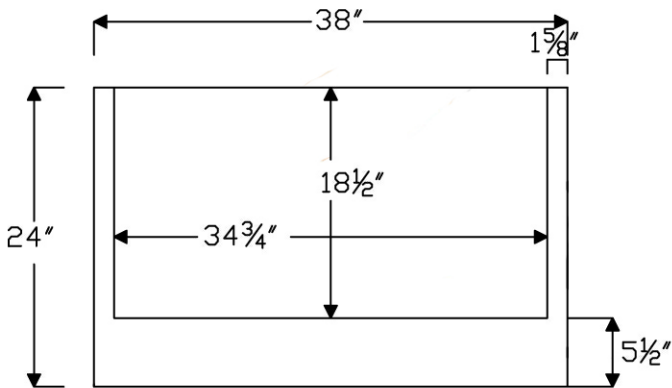
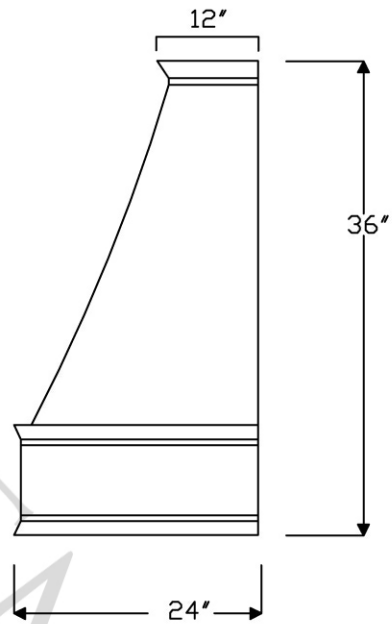
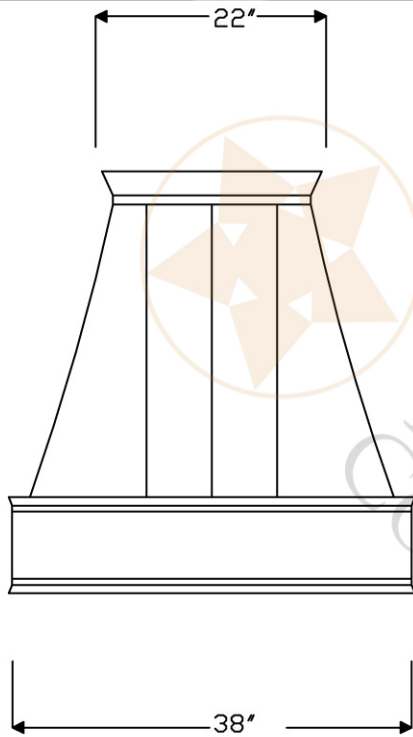
**DESCRIPTION:** Hand Hammered Copper Wall-Mounted Euro Range Hood with 1065 CFM Stainless Steel Insert.

**OUTER DIMENSION:** 38" x 24" x 36"

**TOP DIMENSION:** 22" x 12"

**BOTTOM DIMENSION:** 38" x 24"

**FINISH:** Oil Rubbed Bronze



THIS PRODUCT IS HAND CRAFTED AND SMALL VARIANCES MAY OCCUR.  
DIMENSIONS MAY VARY UP TO 1/2".



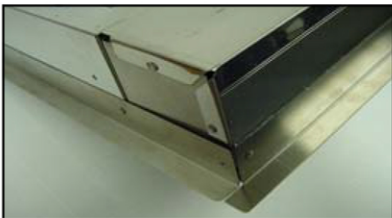
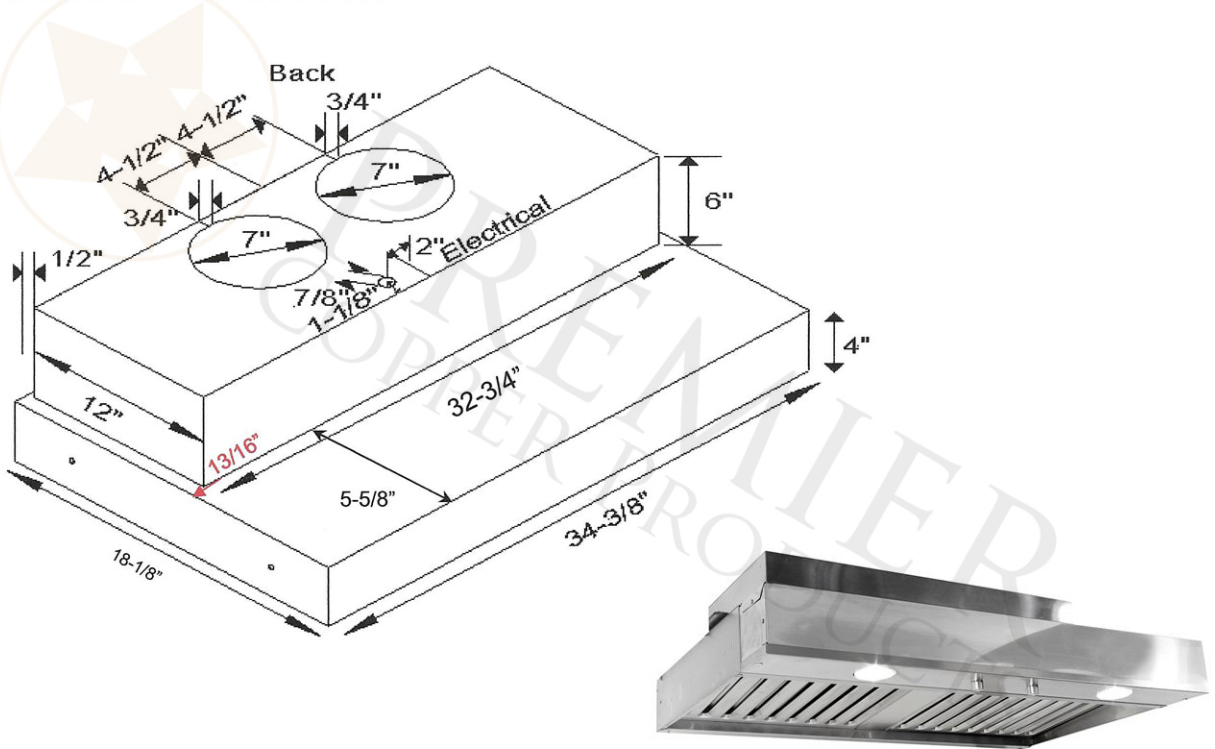
**PREMIER**  
COPPER PRODUCTS

**MODEL NUMBER: HV-EURO38-C2036BP1-TW-B**  
DESCRIPTION: Hand Hammered Copper Wall-Mounted Euro Range Hood with 1065 CFM Stainless Steel Insert.

Includes Powered Liner/Insert  
1065 CFM, Twin Blowers, Variable Controls, 1.5 - 4.6 Sones  
Two 7" Ducts  
Lighting: Two 50 Watt Halogen Spots (PAR 20)(bulbs not included)  
Lights located on front panel  
Filter: Stainless Steel Baffle Filters  
Insert Finish: Stainless Steel

PAGE 2 OF 2

**POWERED LINER SPECIFICATIONS**



3/4" Flange for perfect fit.



**SEVEN YEAR, IN HOME, LIMITED WARRANTY ON INSERT, THE BEST IN THE INDUSTRY!**  
All dimensions on inserts are (+/-) 1/8" and are subject to change. Drawings are not to scale.