



# PREMIER COPPER PRODUCTS

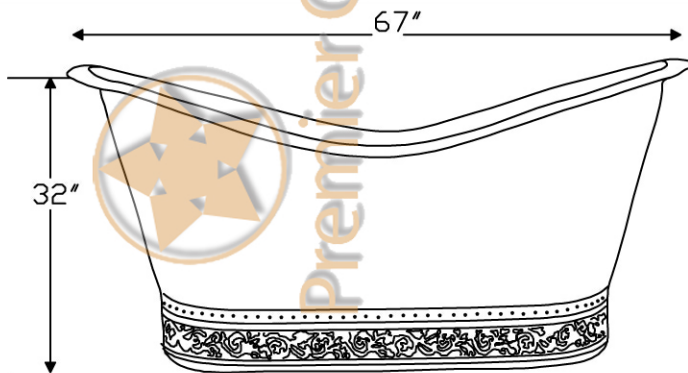
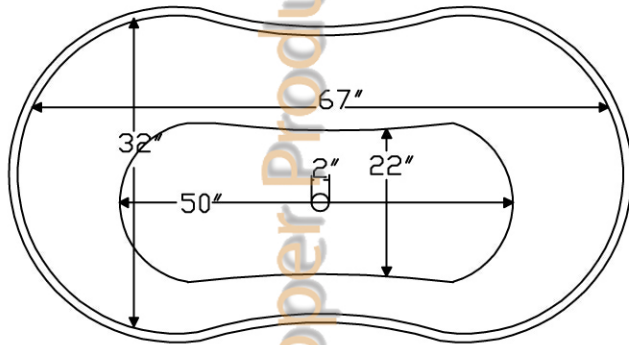
CODE/STANDARD COMPLIANCE

\* IAPMO/UPC LISTED



## ITEM # BTN67DB COPPER DOUBLE SLIPPER TUB

OUTER DIMENSIONS: 67"X32"X32"  
DRAIN SIZE: 2" CENTER



IMPORTANT: DUE TO THE HAND CRAFTED NATURE OF THIS PRODUCT, SMALL VARIANCES MAY OCCUR UP TO 1".  
DO NOT MAKE ANY INSTALLATION CUTS UNTIL YOU RECEIVE YOUR TUB.