



ADVANTEDGE™ UNDERCOUNTER / WORKTABLE FREEZERS



NLUF60A

STANDARD CONDENSER
FILTER IS REMOVABLE
WITHOUT TOOLS

PROJECT:

ITEM NUMBER:

MODEL NUMBER:

UNDERCOUNTER / WORKTABLE FREEZERS

SPECIFICATIONS FOR: NLUF27A, NLUF48A, NLUF60A

- Finish: Stainless steel interior and exterior
- Insulation: Complete cabinet and doors are foamed-in-place with polyurethane insulation
- Hardware: Curved handle with recessed pocket; one vinyl coated shelf per door; 6" overall height casters; front-breathing design allows for zero-clearance installation on sides, back and top
- Electrical: 115 volt, 60 Hz, 1 phase with cord and plug
- Refrigeration: Self-contained forced air refrigeration system. Condensate is collected and automatically evaporated from an energy efficient vaporizer. Refrigerant flow controlled by a capillary tube. R513a refrigerant. Temperature range: -5°F to 0°F
- Approvals: UL, C-UL Safety and UL Sanitation listed **, ADA compliant ***

STANDARD FEATURES

- Air cooled condensing unit
- Automatic condensate vaporizer
- Automatic defrost
- Capillary tube system
- Casters
- Curved handle with recessed pocket
- Magnetic gaskets
- Self-closing doors
- Stainless steel interior and exterior
- Vinyl coated shelves
- UL, C-UL Safety and UL Sanitation listed **
- Warranties: 3 year parts & labor, 5 year compressor

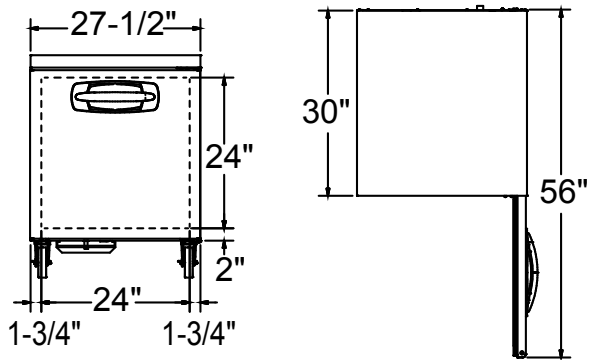
OPTIONAL FEATURES*

- Additional shelves
- Stainless steel backsplash
- Low profile casters ***
- Single and double oversshelf assemblies
- Stacking kit, 27" model only
- 4" Base kit
- 6" Legs
- Door locks

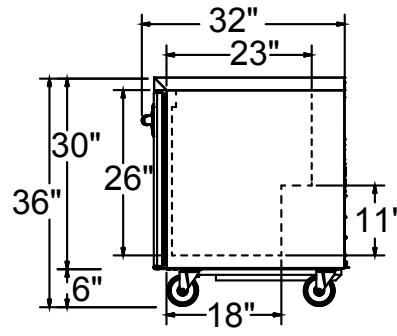
* Most options are available two weeks from receipt of order. Please contact us for specific questions.

** C-UL is Underwriters Laboratories Safety Certification Mark which indicates that UL has tested the equipment to applicable CSA Standards.

*** UL Sanitation is Underwriters Laboratories Sanitation Mark which indicates that UL has tested the equipment to applicable NSF Standards..



FRONT VIEW NLUF27A TOP VIEW

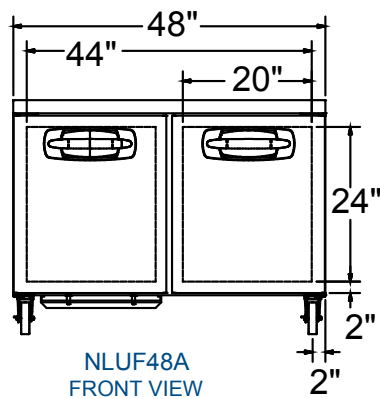


ALL MODELS SIDE VIEW

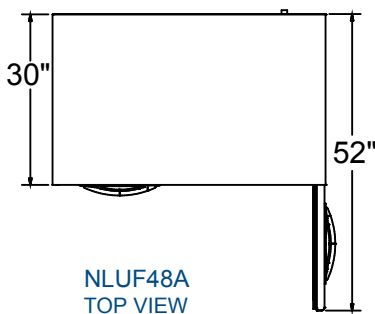
SPECIFICATIONS

Models	NLUF27A	NLUF48A	NLUF60A
Crated Weight (lbs) (kg)	195 (89)	265 (120)	320 (145)
Crated Height (in) (cm)	36-1/4 (92)	36-1/4 (92)	36-1/4 (92)
Crated Width (in) (cm)	30-1/8 (75)	51-1/8 (130)	63 (160)
Crated Depth (in) (cm)	33-1/2 (85)	33-1/2 (85)	33-1/2 (85)
Interior Height (in) (cm)	26-1/8 (66)	26-1/8 (66)	26-1/8 (66)
Interior Width (in) (cm)	24 (61)	44 (112)	56 (142)
Interior Depth (in) (cm)	23 (58)	23 (58)	23 (58)
Overall Height (in) (cm)	36 (91)	36 (91)	36 (91)
Overall Width (in) (cm)	27-1/2 (70)	48 (122)	60 (152)
Overall Depth (in) (cm)	30 (76)	30 (76)	30 (76)
Gross Cubage (CuFt) (L)	7.2 (203)	13.4 (379)	16.2 (458)
Number of Shelves	1	2	2
Shelf Area (SqFt) (Sqm)	2.75 (0.26)	5.30 (0.49)	7.32 (0.68)
Number of Casters	4	4	4
Condensing Unit Size	1/3 HP	1/2 HP	1/2 HP
Refrigerant	R513a	R513a	R513a
Electrical Characteristics	115/60/1	115/60/1	115/60/1
Cord and Plug Furnished	Yes	Yes	Yes
NEMA Plug Configuration	5-15P	5-15P	5-15P
Total Amp Draw	4.7	6.1	3.1

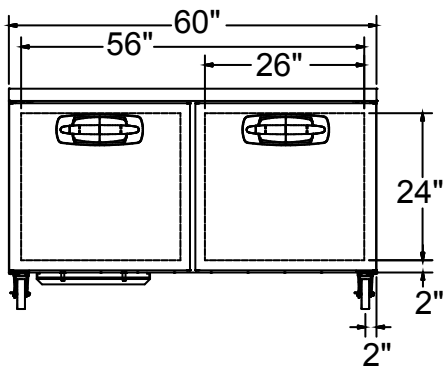
Specifications subject to change without notice.



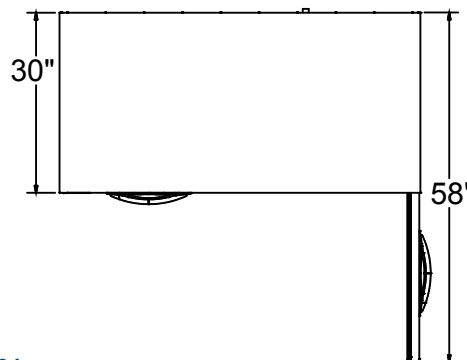
NLUF48A FRONT VIEW



NLUF48A TOP VIEW



FRONT VIEW NLUF60A



TOP VIEW



Revision Date: 05/17
 ©2016 Nor-Lake, Inc.
 Printed in the USA
 Part Number: 146623