

AK TC

The **AK** series of pour-over equipment is designed to offer years of trouble free operation while delivering a consistently great cup of fresh hot coffee with every brew. This flexible brewer family accommodates all of today's brewing vessels from traditional glass decanters to the latest in thermal dispensers, airpots and servers offered by Newco.

The **AK** models incorporate features such as: a traditional displacement hot water tank system, ready light incorporated for optimum brewing temperature, master on/off power switch, and durable stainless steel construction.



Made in
the USA

Ready light incorporated for optimum brewing temperatures.

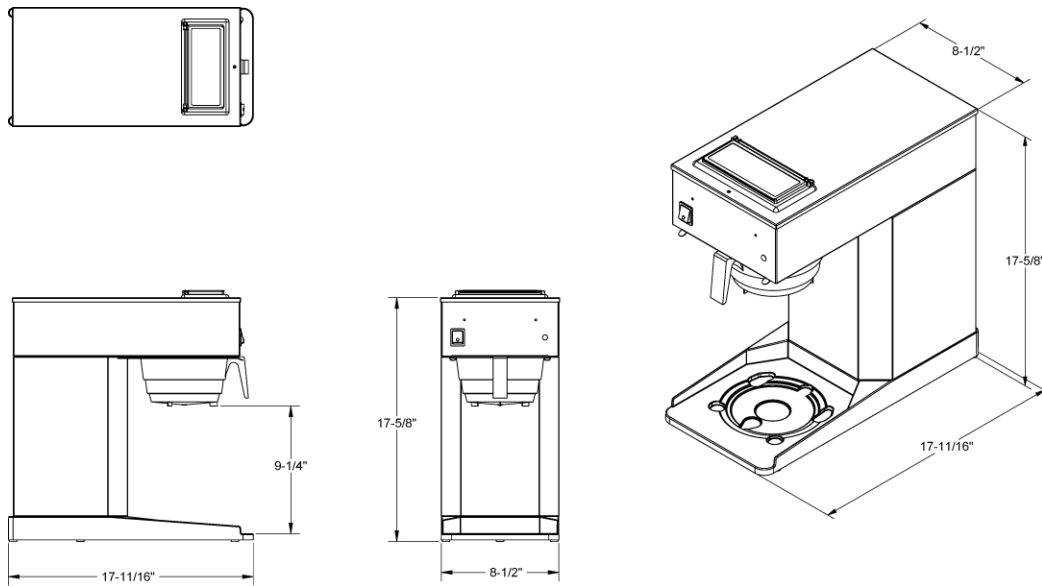
Durable stainless steel construction.

Master power switch.

Ready Light incorporated for optimum brewing temperatures

Dispensers incorporate 'safe base', a revolutionary design for lining up of thermal dispensers everytime.

Private Labeling available with in house graphics team.



MODEL	WIDTH	DEPTH	HEIGHT	(USA)	CANADA	WEIGHT	CU.FT.
AK TC	8 1/2"	17 11/16"	17 5/8"	14.6A	11.7A	28LB.	7.81
AKHTC	8 1/2"	17 11/16"	17 5/8"	14.6A	11.7A	28LB.	7.81