



JOB:
ITEM:
QTY:



99738-MIXER STAND WITH ACCESSORY TREE

APPLICATION:

This mixer stand has a two tier design with stainless steel shelves. The removable accessory tree has five 3/8" diameter rod hangers for various utensils.

MATERIAL:

Base is constructed out of 1 1/2"x 1 3/4"x.070" wall tubing. Uprights are constructed out of 1 3/4"x1 3/4"x.093" wall tubing. Top framework is constructed out of 1 1/2"x1 1/2"x.070" wall tubing. Accessory tree is constructed out of 1 5/16" diameter pipe. Top and undershelf is constructed out of 16ga 304 Stainless Steel. Cord wrap is constructed out of 3/16"x1" aluminum strap.

CASTERS:

This mixer stand comes equipped with four 5" platform type swivel casters, all with brake.

GUARANTEE:

This mixer stand carries a **Lifetime Guarantee** against rust and corrosion and also carries a **Five-Year Guarantee** against workmanship and material defects.

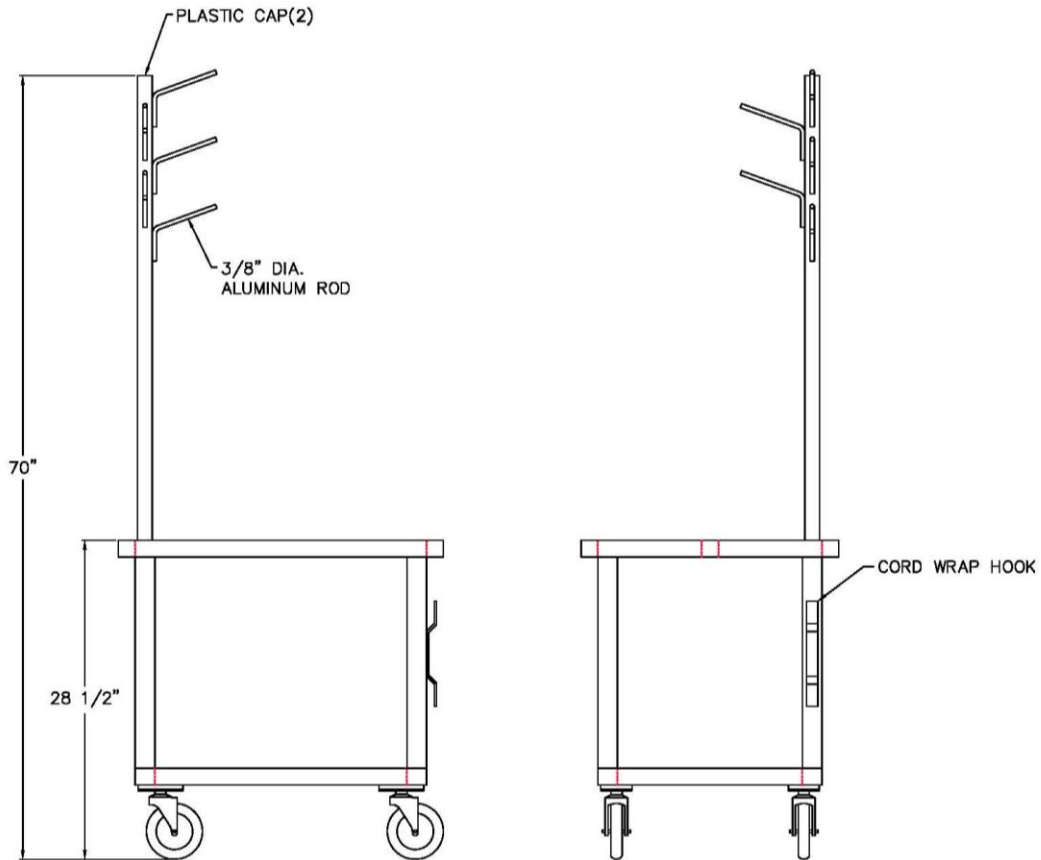
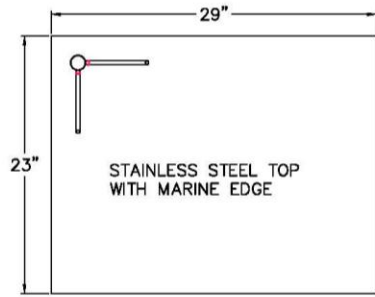


Model #99738



Phone:800-255-0104
Fax: 877-877-7687
www.newageindustrial.com
sales@newageindustrial.com

New Age Industrial reserves the right to modify or make changes at any time without notice to materials and specifications.



Model #99738

Model No.	Size-W	Size-H	Size-D
99738	29"	70"	23"



Phone: 800-255-0104
 Fax: 877-877-7687
www.newageindustrial.com
sales@newageindustrial.com

New Age Industrial reserves the right to modify or make changes at any time without notice to materials and specifications.