



JOB:  
ITEM:  
QTY:



# 97769-CORRECTIONAL DUTY UTILITY CART

## SPECIFICATIONS

### MATERIAL:

Hi-tensile, corrosion resistant, rust proof, primary extruded aluminum, Type 6463-T5 alloy.

### CONSTRUCTION:

All heli-arc welded with seams welded (no rivets).

### FRAME:

Heavy duty all welded frame construction consists of 1" x 1" x .070 wall extruded aluminum tube.

### SHELVES:

Each shelf is constructed of a .080 aluminum sheet with three 1-1/4" lips (full 1-1/4" hem) up and one full 1-1/4" hemmed lip down.

### HANDLE:

Constructed of 1/4" x 1-1/2" aluminum strap welded to the frame uprights with round tube handle bolted in place.

### CASTERS:

Four 5" diameter platform type casters with non-marking wheels; two swivel, two rigid.

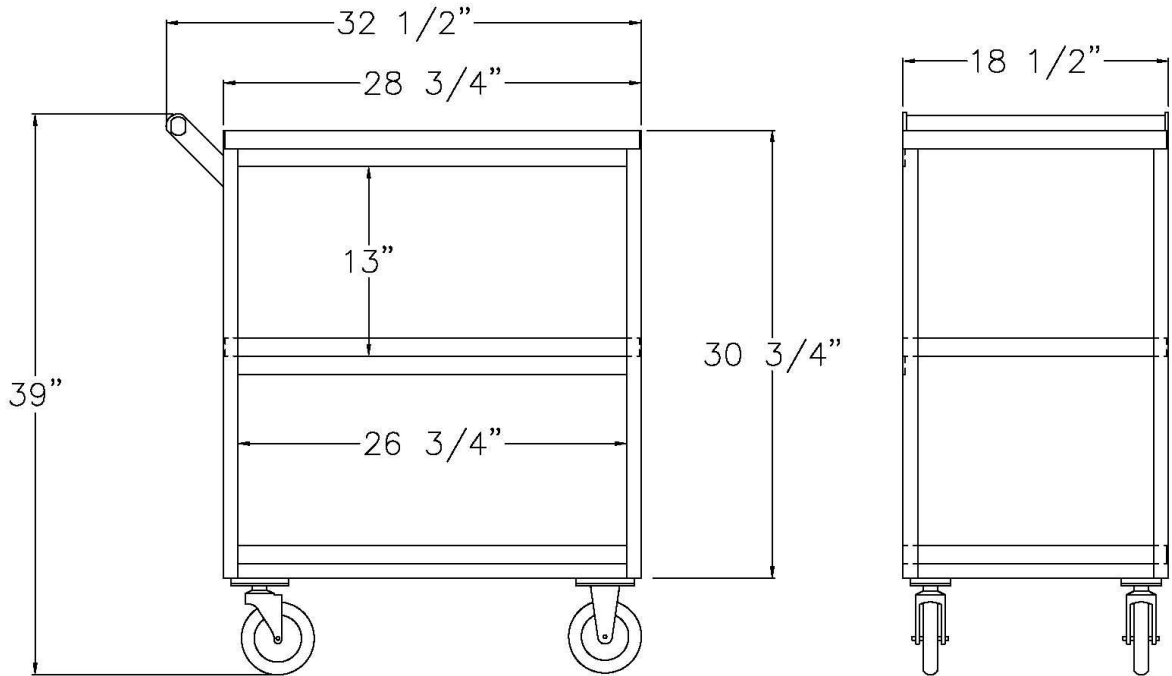


Model #97769



Phone: 800-255-0104  
Fax: 877-877-7687  
[www.newageindustrial.com](http://www.newageindustrial.com)  
[sales@newageindustrial.com](mailto:sales@newageindustrial.com)

New Age Industrial reserves the right to modify or make changes at any time without notice to materials and specifications.



**Model #97769**

Model No.	Size-W	Size-H	Size-D	Wt. Cap.
97769	18 1/2"	39"	32 1/2"	350#



Phone: 800-255-0104  
 Fax: 877-877-7687  
[www.newageindustrial.com](http://www.newageindustrial.com)  
[sales@newageindustrial.com](mailto:sales@newageindustrial.com)

New Age Industrial reserves the right to modify or make changes at any time without notice to materials and specifications.