



JOB:  
ITEM:  
QTY:



# EXTREME DUTY UTILITY CART

## APPLICATION:

These two-tier units are ideal for use in coolers, freezers, and dry storage. The heavy-duty design will transport heavy loads up to 1500# per shelf or 2000# rolling capacity.

## MATERIAL:

The framework on these carts is constructed out of 1 1/2"x1 1/2"x.070" wall tubing. Shelves are constructed of .080" thick aluminum sheet.

## CASTERS:

These carts come equipped with four 6" platform type casters, two swivel and two rigid.

## GUARANTEE:

These carts carry a **Lifetime Guarantee** against rust and corrosion and also carry a **Five-Year Guarantee** against workmanship and material defects.

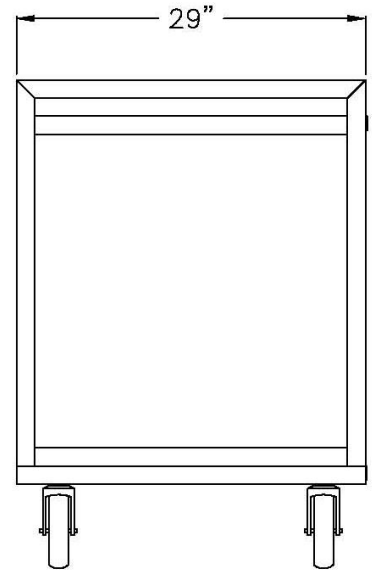
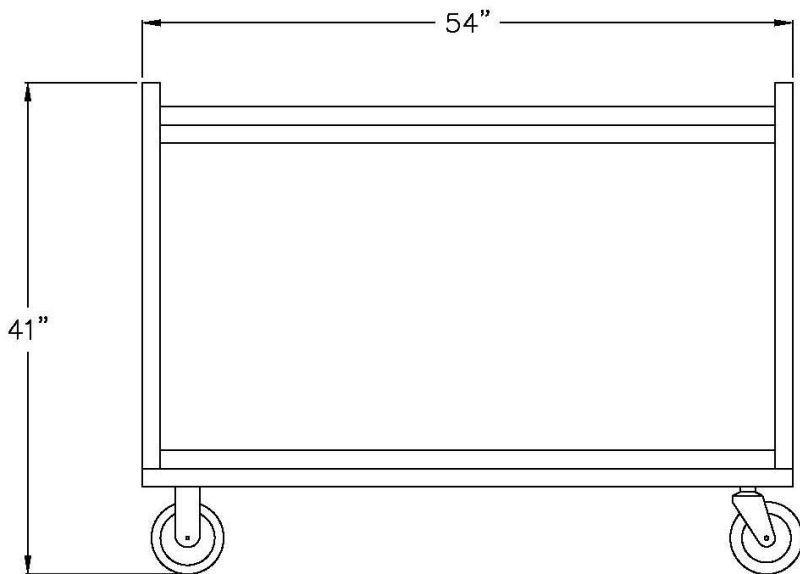


**Model #97180**



Phone: 800-255-0104  
Fax: 877-877-7687  
[www.newageindustrial.com](http://www.newageindustrial.com)  
[sales@newageindustrial.com](mailto:sales@newageindustrial.com)

New Age Industrial reserves the right to modify or make changes at any time without notice to materials and specifications.



**Model #97180**

| Model No. | Size-W | Size-H | Size-D | Shelf Size        |
|-----------|--------|--------|--------|-------------------|
| 97177     | 22"    | 41"    | 37"    | 21 3/4" X 33 5/8" |
| 97178     | 22"    | 41"    | 54"    | 21 3/4" X 50 5/8" |
| 97179     | 29"    | 41"    | 37"    | 28 3/4" X 33 5/8" |
| 97180     | 29"    | 41"    | 54"    | 28 3/4" X 50 5/8" |



Phone: 800-255-0104  
 Fax: 877-877-7687  
[www.newageindustrial.com](http://www.newageindustrial.com)  
[sales@newageindustrial.com](mailto:sales@newageindustrial.com)

New Age Industrial reserves the right to modify or make changes at any time without notice to materials and specifications.