



JOB:  
ITEM:  
QTY:



Made in the USA

## FOOD BOX DOLLY

### APPLICATION:

One cart allows you to store frozen food in the freezer and then roll into the prep room for thawing. Specifically designed for boxed frozen foods, these compact dollies keep drips, spills and condensation to a minimum with a sturdy aluminum drip pan.

### MATERIAL:

Framework is constructed of 1"x1"x.070" wall tubing. Drip tray is constructed of .063" aluminum sheet. Upright legs are reinforced with gussets for added strength.

### CASTERS:

These dollies are equipped with four 5" stem type swivel casters.

### GUARANTEE:

These dollies carry a **Lifetime Guarantee** against rust and corrosion and also carry a **Five-Year Guarantee** against workmanship and material defects.

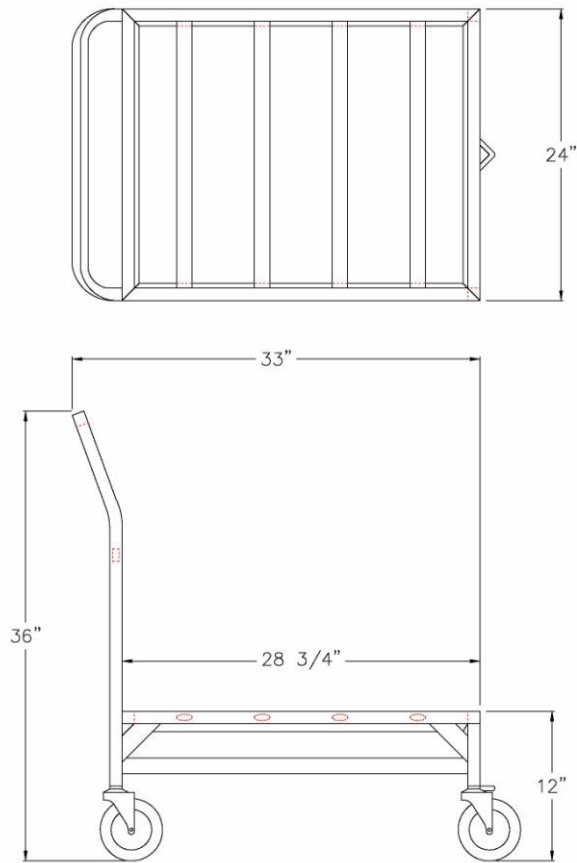


Model #1630



Phone: 800-255-0104  
Fax: 877-877-7687  
[www.newageindustrial.com](http://www.newageindustrial.com)  
[sales@newageindustrial.com](mailto:sales@newageindustrial.com)

New Age Industrial reserves the right to modify or make changes at any time without notice to materials and specifications.



**Model #1630**

Model No.	Size-W	Size-H	Size-D	Deck Height
1630	24"	36"	33"	12"
1631	24"	36"	33"	16"



Phone: 800-255-0104  
 Fax: 877-877-7687  
[www.newageindustrial.com](http://www.newageindustrial.com)  
[sales@newageindustrial.com](mailto:sales@newageindustrial.com)

New Age Industrial reserves the right to modify or make changes at any time without notice to materials and specifications.