



Easy Tuna Press™ N55800

OPERATING INSTRUCTIONS

Important

1. To get the best operation and life from your machine, please read and comply with these instructions.
2. Clean machine thoroughly before and after each use using cleaning instructions below.
3. Minimize the use of alkaline cleaners as they may cause pitting and dulling of the finish.

To Operate

1. Mount the PRESS on the side of the sink so hanger fits over the edge and the suction cups attach to the inside of the sink. Turn the CRANK counter-clockwise to raise it to its full "up" position.
2. Open a can of tuna and allow the lid to remain inside the can.
3. Hold the lid in place and pour the water out of the can.
4. Hold the lid in place and invert the can, placing it lid side down onto the BASE.
5. Turn CRANK clockwise to apply load to the can. Turn until it feels difficult to turn anymore (the top of the plunger will be a little higher than the top of the PUSH PLATE at this condition).
6. Wait until the water drips slowly from the can (usually 2-3 minutes depending upon the brand of tuna being used).
7. Turn the CRANK down to reapply pressure on the can and hold for about 5 seconds.
(DO NOT OVERTURN THE HANDLE. IT WILL CAUSE DAMAGE TO THE DRIVE SHOE SET.)
8. Turn CRANK to full "up" position. Place hands over the open end of the can to retain the lid and lift the drained can of tuna off.
9. Place can on table with lid side up and proceed.
10. If unit fails to work properly when first operated, call NEMCO customer service at 1-800-782-6761.
NOTE: An extra set of DRIVE SHOES is included with each model. Please keep for future use.

To Clean

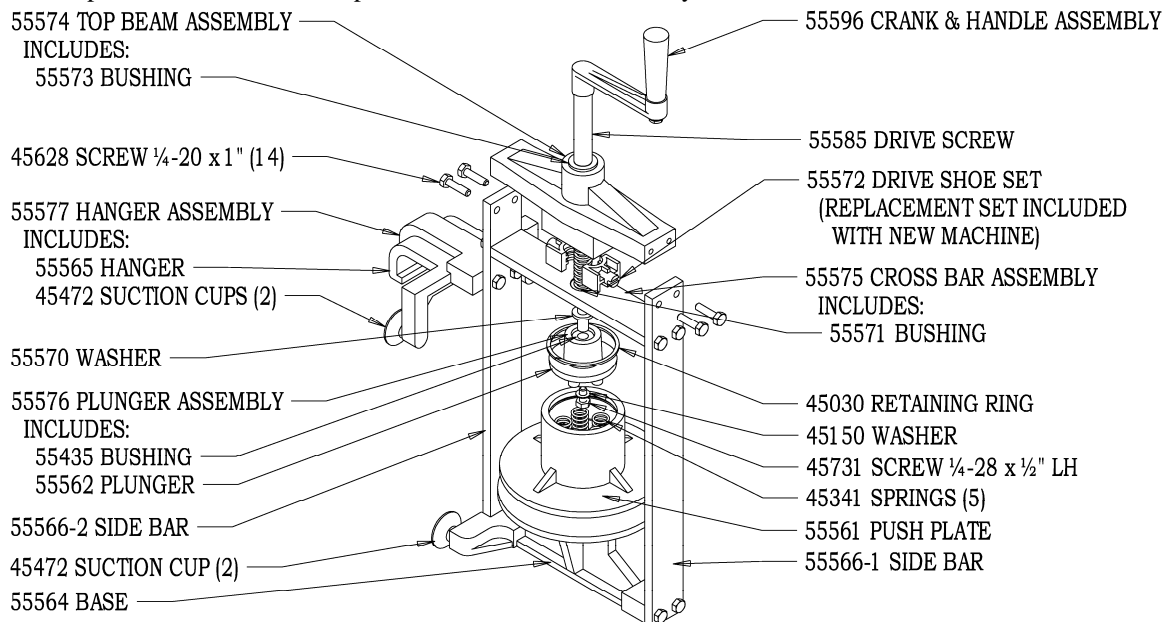
1. The EASY TUNA PRESS can easily be cleaned with a sponge and water containing dishwashing soap while still attached to sink.
2. If a pressure spray is available, it can be used to wash the machine after using.
3. The machine can be washed by conventional methods in a sink.
4. The EASY TUNA PRESS can be disassembled for cleaning when it is necessary.

To Disassemble

1. Except for the PLUNGER ASSEMBLY, the machine can be disassembled with a 7/16" wrench. To disassemble the PLUNGER:
2. Place an unopened can of tuna between the BASE and the PUSH PLATE.
3. Turn the CRANK to apply a load on the can - about two turns after the PUSH PLATE contacts the end of the can.
4. Using a screw driver, find the notch in the end of the RETAINING RING and move it out of the groove and remove the RETAINING RING.
5. Turn the CRANK to its top position.
6. To remove the PLUNGER from the DRIVE SCREW, turn the SCREW clock-wise. (This is a left-hand thread.)

To Reassemble

Reverse the disassembly procedure. **NOTE:** When reassembling the PLUNGER be sure that the 5 fingers in the PUSH PLATE and on the PLUNGER each fall inside a SPRING when assembling. Food grade grease (Dow Corning #NLGI Grade #2, or similar) on the end of the SPRINGS will help hold them in a vertical position and make the assembly easier.



NEMCO FOOD EQUIPMENT

301 Meuse Argonne, Hicksville, OH 43526

Phone: (419) 542-7751 Fax: (419) 542-6690 Toll free: 1-800-782-6761

www.nemcofoodequip.com

45594
6/21/07