

# NEMCO

FOOD EQUIPMENT

## BATTER DISPENSER

7050-( )

### SETUP & CLEANING INSTRUCTIONS

#### Important

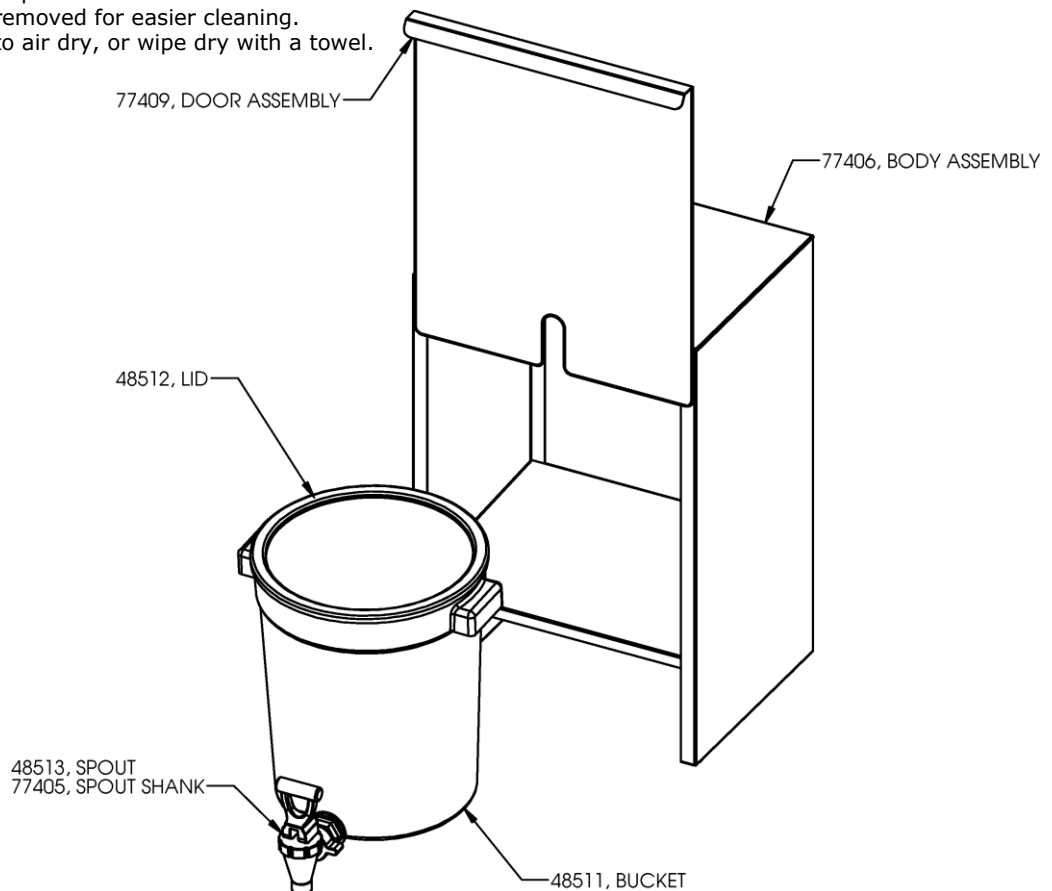
1. To get the best operation and life from your machine, please read and comply with these instructions.
2. Clean batter dispenser thoroughly before first use & after each use using cleaning instructions below.

#### Setup

1. Remove batter dispenser from the packaging. Make sure all pieces have been included.
2. Clean bucket & lid before using. Wash using mild soap & water solution with sponge. Run water through the spout.
3. Place batter dispenser on a sturdy level surface away from the edges of the countertop.
4. Pour mixed batter into bucket.
5. Lift door assembly up and off of the body assembly.
6. Place batter bucket into body assembly with spout facing outward.
7. Lower the door assembly back on the housing, sliding it over the spout.

#### Cleaning

1. Lift door assembly up and off of the body assembly.
2. Remove the bucket.
3. Wash the door panel and body with a warm water and soap solution using a sponge or cloth.
4. Discard remaining batter in bucket and clean it and the lid with a warm water and soap solution.
5. Run water through the spout until no batter remains.  
NOTE: Spout may be removed for easier cleaning.
6. Allow all components to air dry, or wipe dry with a towel.



NEMCO Food Equipment 301 Meuse Argonne Hicksville, Ohio 43526  
Phone: (419) 542-7751 Fax: (419) 542-6690 Toll Free: (800) 782-6761  
[www.nemcofoodequip.com](http://www.nemcofoodequip.com)