

JET-TECH

model X-35C

Door-type single tank low-temp convertible

X-35C cleans your dishes, glassware, silverware and utensils in less than 90 seconds!
This model is excellent for small restaurants, fast food operations, institutions, nursing homes, etc.



- Just the push of one button fills the wash tank, fully automatically!
- No need for any booster heater
- New and improved wash arm design made entirely of stainless steel provides you with better cleaning power and the most effective wash spray pattern
- Highest quality fabrication using the most advanced machinery will ensure long-life and increased durability
- The only machine you will need to satisfy any type of install:
Corner or in-line

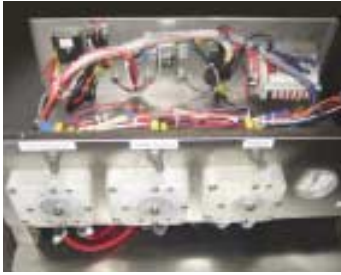
TECHNICAL FEATURES

- **Capacities**
 - Racks per hour 37
 - Wash tank (Gal.) 1.6
- **Wash motor** 1 HP
- **Water consumption**
 - Gal. per hour 62
 - Gal. Per rack 1.6
- **Temperature °F**
 - Wash & Rinse 140°F
- **Time cycle (sec.)**
 - Wash 45
 - Dwell 12
 - Rinse 28
 - Total cycle time 85

STANDARD FEATURES

- Automatic dump and fill
- Balanced three door lift system
- Field convertible for any usage
- 1 HP drip-proof pump motor
- Door safety switches
- Top-mounted splash-proof controls
- Interchangeable upper and lower arms
- Stainless steel front enclosure panel
- Detergent/chemical connections
- Common utility connections
- Reliable mechanical-type cam timer
- Cycle counter for convenience
- Central inside sump with built-in scrap accumulator

model X-35C



CONTROL PANEL

Top cover is easily removed providing quick access to all essential electrical components.



STRAINER

Built in waste strainer slides out for instant cleaning.



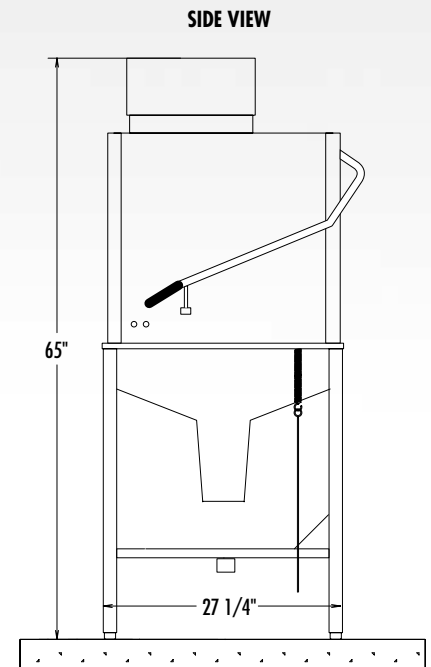
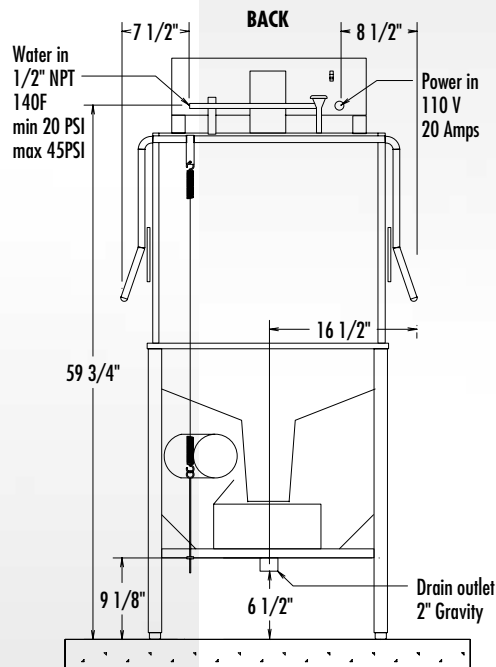
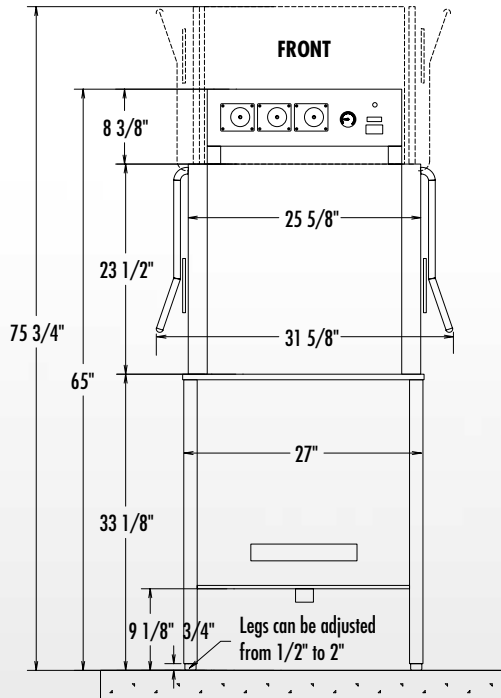
PUMP AND MOTOR

The 1 HP pump provides high pressure re-circulating wash. The motor is drip-proof wired through a magnetic contact and has thermal overload protection.



INNER WASH TANK

Stainless steel wash and rinse arms are interchangeable and easily removed for cleaning. Ultra fast water drainage with inside rear sump.



UTILITIES

ELECTRICAL: Machine connection / Machine Load Amps — Voltage 115/60/1, Amps 13.0

HOT WATER: 1/2" NPT 140°F Hot Water Connection / Flow Pressure 25 PSI

DRAIN: 2" I.P.S



ANSI/NSF-3

JET-TECH SYSTEMS CORP.

TEL: (514) 737-9701
TOLL FREE: (888) 275-4538
jet-tech.com

FAX: (514) 342-3854
TOLL FREE FAX: (877) 453-8832
sales@jet-tech.com

In line with our continuing policy on research and product development, we reserve the right to alter specifications without notice.