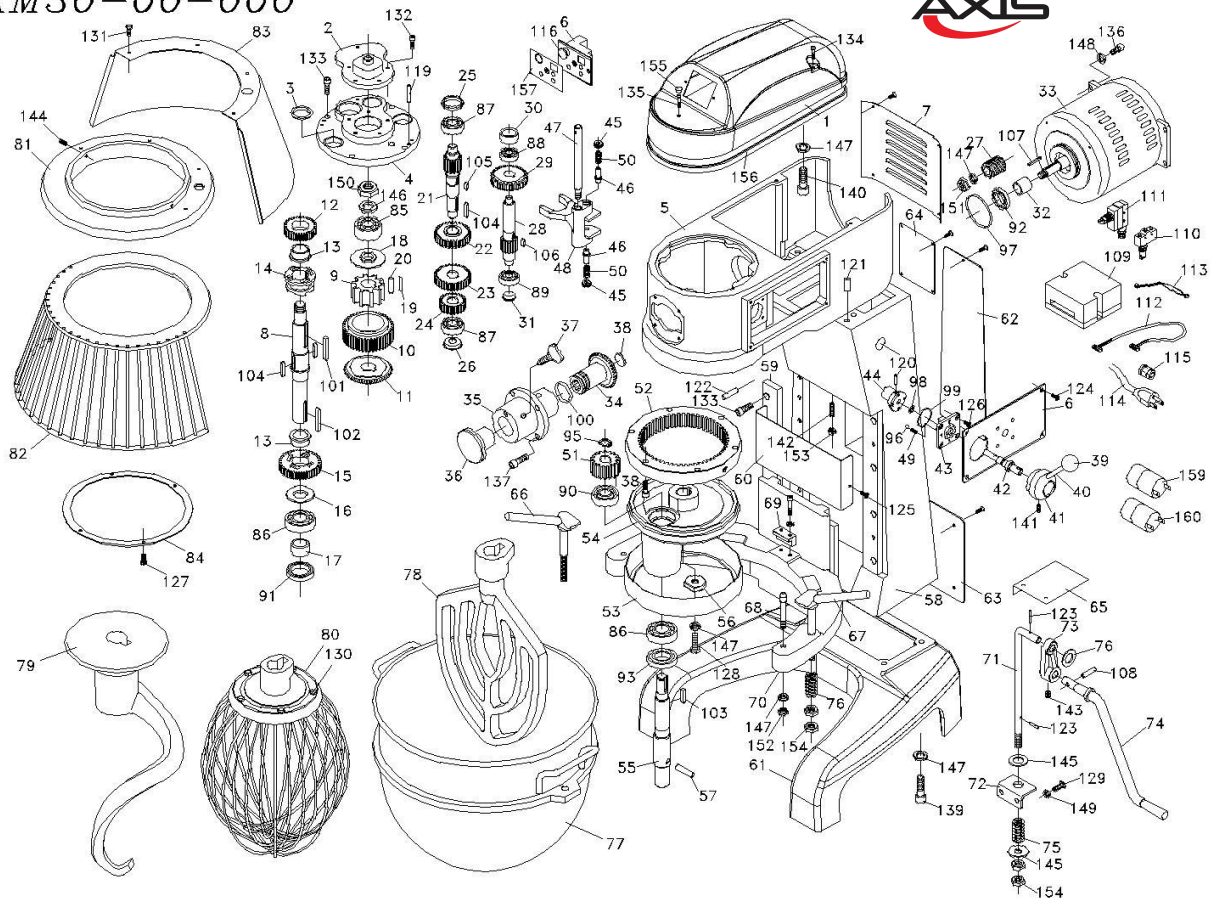


AXM30-00-000



72-AX30			
ACCPAC	NO.	NAME	QTY.
73-0247	1	#AXM30-01-001 UPPER LID/TOP COVER	1 pc
73-0056	2	#11031-01-002 RETAINER-BEARING (AX-M30)	1 pc
73-0002	3	#11012-01-003 COVER PLUG (AX-M20)	2 pc
73-0057	4	#11031-01-004 GEAR HOUSE COVER	1 pc
73-0370	5	#GM30-01-005 CASE-TRANSMISSION (AX-M30)	1 pc
73-0539	6	#XL709-11A CONTROL PANEL M20,M30 W/EMERGENCY STOP(W/STICKER)	1 pc
73-0371	7	#GM30-01-008 REAR COVER (AX-M30)	1 pc
73-0058	8	#11031-02-001 MAIN SHAFT (AX-M30)	1 pc
73-0059	9	#11031-02-002 SLEEVE DRIVE (AX-M30)	1 pc
73-0060	10	#11031-02-003 GEAR (AX-M30)	1 pc
73-0061	11	#11031-02-004 BEVEL GEAR (AX-M30)	1 pc
73-0062	12	#11031-02-005 GEAR (AX-M30)	1 pc
73-0063	13	#11031-02-006 CLUTCH COPPER BUSHING (AX-M30)	2 pc
73-0064	14	#11031-02-007 CLUTCH (AX-M30)	1 pc
73-0065	15	#11031-02-008 GEAR (AX-M30)	1 pc
73-0066	16	#11031-02-009 SPACER (AX-M30)	1 pc
73-0067	17	#11031-02-010 SPACER (AX-M30)	1 pc
73-0068	18	#11031-02-011 DETAIN-FIXED COVER (AX-M30)	1 pc
73-0069	19	#11031-02-012 (30-20) SPRING SHEET	10 pc
73-0070	20	#11031-02-013 (30-19) PIN	10 pc
73-0071	21	#11031-03-001 GEAR SHAFT (AX-M30)	1 pc
73-0072	22	#11031-03-002 32T GEAR (AX-M20, M30)	1 pc
73-0073	23	#11031-03-004 33T GEAR (AX-M30)	1 pc
73-0074	24	#11031-03-005 23T GEAR (AX-M30)	1 pc
73-0075	25	#11031-03-006 SPACER (AX-M30)	1 pc
73-0021	26	#11012-03-007 OIL BAFFLE (AX-M20 & M30)	1 pc
73-0022	27	#11012-04-003 WORM 4M (AX-M20 & M30)	1 pc
73-0076	28	#11031-04-004 SHAFT-WORM GEAR (AX-M30)	1 pc
73-0024	29	#11012-04-005 WORM GEAR (AX-M20 & M30)	1 pc
73-0077	30	#11031-04-007 SPACER (AX-M30)	1 pc
73-733	31	#11012-04-008 OIL BAFFLE	1 pc
73-0360	32	#GM20-04-009 SPACER (AX-M20, M30)	1 pc
73-0372	33	#GM30-05-001/110/60/1 MOTOR 110V/1HP	1 pc
73-0028	34	#11012-06-001 35T BEVEL GEAR (AX-M20 & M30)	1 pc
73-0287	35	#BM20-06-003 HUB ATTACHMENT (AX-M20, M30)	1 pc
73-0162	36	#11091-06-004 PLUG	1 pc
73-0362	37	#GM20-06-005 THUMB SCREW (AX-M20, M30, M40)	1 pc
73-0029	38	#11012-06-006 OIL BAFFLE (AX-M20, M30, M40)	1 pc
73-0079	39	#11031-07-001 KNOB-SHIFT HANDLE (AX-M30, M40)	1 pc
73-0080	40	#11031-07-002 SHIFT HANDLE (AX-M30, M40)	1 pc
73-0081	41	#11031-07-003 BASE ASSY-HANDLE (AX-M30, M40)	1 pc
73-0082	42	#11031-07-004 SHAFT-SHIFT ECCENTRIC (AX-M30)	1 pc
73-0032	43	#11012-07-005 SHIFT SELECTOR (AX-M20, M40)	1 pc
73-0033	44	#11012-07-006 ECCENTRIC SHAFT (AX-M20, M40)	1 pc
73-0083	45	#11031-07-007 LOCK SCREW (AX-M30, 40)	2 pc
73-0084	46	#11031-07-008 PLUNGER SHAFT-SHIFTER (AX-M20)	2 pc
73-0085	47	#11031-07-009 FIXING SHAFT-SHIFTER (AX-M30, M40)	1 pc
73-0364	48	#GM20-07-010 SHIFT FORK (AX-M20, M30)	1 pc
73-0086	49	#11031-07-011 COMPRESSION SPRING (AX-M20, M30, M4)	2 pc
73-0087	50	#11031-07-012 COMPRESSION SPRING (AX-M20, M30, M40)	2 pc
73-0088	51	#11031-08-001 INTERNAL GEAR (AX-M30, M60)	1 pc
73-0089	52	#11031-08-002 GEAR (AX-M30)	1 pc
73-0091	54	#11031-08-004 PLANETARY HEAD (AX-M30)	1 pc
73-0092	55	#11031-08-005 AGITATING SHAFT (AX-M30)	1 pc
73-0093	56	#11031-08-006 SPACER (AX-M30, M40)	1 pc
73-0094	57	#11031-08-007 TAPERED PIN (AX-M30)	1 pc
73-0249	58	#AXM30-09-001 COLUMN (AX-M30)	1 pc
73-0095	59	#11031-09-002 SLIDEWAY (AX-M30)	2 pc
73-0096	60	#11031-09-003 APRON (AX-M30)	1 pc
73-0097	61	#11031-09-004 BASE (AX-M30)	1 pc
73-0098	62	#11031-09-006 COLUMN COVER (AX-M30, M40)	1 pc
73-0099	63	#11031-09-007 PLATE (AX-M30, M40)	1 pc
73-0100	64	#11031-09-008 PANEL OF SPECIFICATIONS (AX-M30, M40)	1 pc
73-0101	65	#11031-09-009 SEAT OF CONTACTOR (AX-M30, M40)	1 pc
73-0373	66	#GM30-10-001A BOWL CLAMP (LEFT) (AX-M30, M40)	1 pc
73-0374	67	#GM30-10-001B BOWL CLAMP (RIGHT) (AX-M30, M40)	1 pc
73-0102	68	#11031-10-002 BOWL LOCATING PIN (AX-M30)	2 pc
73-0103	69	#11031-10-003 RETAINER-BOWL (AX-M30, M40)	1 pc
73-0104	70	#11031-10-004 BOWL SUPPORT (AX-M30, M40)	1 pc
73-0106	71	#11031-11-001 LIFTING BAR (AX-M30, M40)	1 pc
73-0107	72	#11031-11-002 LIFTING HANDLE BRACKET (AX-M30, M40)	1 pc
73-0108	73	#11031-11-003 INNER ARM (AX-M30, M40)	1 pc
73-0368	74	#GM20-11-004 LIFT HANDLE (AX-M30)	1 pc
73-0109	75	#11031-11-005 COMPRESSION SPRING (AX-M30, M40)	1 pc
73-0105	76	#11031-10-005 COMPRESSION SPRING	2 pc
73-0111	77	#11031-12-001 BOWL	1 pc
73-0112	78	#11031-12-002 BEATER (AX-M30)	1 pc
73-0113	79	#11031-12-003 SPIRAL DOUGH HOOK F/30-QUART (AX-M30)	1 pc
73-0114	80	#11031-12-004 WIRE WHIP	1 pc

73-8468	81	#BM30-13-001A SEAT OF GUARD	1 pc
73-0289	82	#BM30-13-002A SLIDING OPENER (AX-M30)	1 pc
73-0375	83	#GM30-13-004 REAR COVER OF GUARD (AX-M30)	1 pc
73-0115	84	#11031-13-003A FIXED RING (AX-M40)	1 pc
73-0295	85	#BR-5204Z BALL BEARING (AX-M30)	1 pc
73-0309	86	#BR-6205Z BALL BEARING FOR (AX-M30, M40, M60)	2 pc
73-0306	87	#BR-6203Z BALL BEARING (AX-M20)	2 pc
73-0302	88	#BR-6201Z BALL BEARING (AX-M30)	1 pc
73-0303	89	#BR-6202Z BALL BEARING (AX-M12)	1 pc
73-0308	90	#BR-6204Z BALL BEARING (AX-M20, M30)	1 pc
73-0439	91	#OS-TC32X47X10 OIL SEAL (AX-M20, M30)	1 pc
73-0435	92	#OS-TC25X40X07 OIL SEAL (AX-M20, M30)	1 pc
73-0437	93	#OS-TC28X52X10 OIL SEAL (AX-M30)	1 pc
73-0324	95	#CR-S19 C SNAP RING (AX-M30)	1 pc
73-0476	96	#SB-6 STEEL BALL	2 pc
73-0426	97	#OR-G60 O RING (AX-M20, M30, M40)	1 pc
73-0429	98	#OR-P9 O-RING (AX-M30, M40)	1 pc
73-0424	99	#OR-33.5X37.5X2 O RING (AX-M20, M30, M40)	1 pc
73-0428	100	#OR-P35 O RING (AX-M20, M30)	1 pc
73-0381	101	#KR-1/4X1/4X45 KEY (AX-M30)	1 pc
73-0381	102	#KR-1/4X1/4X45 KEY (AX-M30)	1 pc
73-0380	103	#KR-1/4X1/4X25 KEY	1 pc
73-0394	104	#KRR-5X5X13 KEY (AX-M30, M60)	3 pc
73-0395	105	#KRR-5X5X15 KEY (AX-M12, M60)	1 pc
73-0394	106	#KRR-5X5X13 KEY (AX-M30, M60)	1 pc
73-0390	107	#KRR-1/8X1/8X28 KEY (AX-M20, M30)	1 pc
73-0527	108	#TP-4X32 TAPERED PIN	1 pc
73-0539	109	#XL709-11A CONTROL PANEL M20,M30 W/EMERGENCY STOP(W/STICKER)	1 pc
73-0548	110	#Z15GQ22B LIMIT SWITCH FOR BOWL GUARD M20,M30	1 pc
73-0548	111	#Z15GQ22B LIMIT SWITCH FOR BOWL GUARD M20,M30	1 pc
73-0542	112	#XL710-L2 INTERNAL WIRE-PANEL/BOX	1 pc
73-0315	114	#CABLE-14-3C-UL POWER CABLE (AX-M20, M30, M40)	1 pc
73-0318	115	#CG-20 CABLE TIE (AX-M20, M30, M40)	1 pc
73-2146	116	#ABESMT44+ABMS800M+ABAU8F01 STOP SWITCH	1 PC
73-2146		#ABESMT44+ABMS800M+ABAU8F01 STOP SWITCH	1 PC
73-2180		#ABAU8F01 SWITCH TERMINAL FOR AX M80	1 PC
73-3117	117	#11030-05-006/60HZ GOVERNOR PLATE (60HZ)	1 PC
73-3118	118	#GM30-05-001/1/2-4-60XLOTHER GOVERNOR (60HZ)	1 PC
73-0504	119	#SPP-6X24 SPRING PIN	2 pc
73-8506	120	#SPP-4X24 SPP-4X24	1 pc
73-0496	121	#SPP-10X24 SPRING PIN	2 pc
73-0508	122	#SPP-8X24 SPRING PIN	2 pc
73-0501	123	#SPP-4X25 SPRING PIN	2 pc
73-0454	124	#S+R3/16X3/8 MAC. SCREW (AX-M20)	9 pc
73-0453	125	#S+R3/16X1/4 MAC. SCREW (AX-M40)	14 pc
73-769	126	#S+F3/16X1/2 MAC. SCREW (AX-M12)	4 pc
73-0448	127	#S+F3/16X3/8 MAC. SCREW (AX-M20)	6 pc
73-8143	128	#S-3/8"X3/4 BOLT	1 pc
73-0471	129	#S-5/16X1/2 BOLT	2 pc
73-0459	130	#S-1/4X1/2 BOLT (AX-M60)	4 pc
73-0460	131	#S-1/4X1/4 BOLT (AX-M30)	4 pc
73-0484	132	#S-C-1/4X3/4 CAP SCREW	6 pc
73-0489	133	#S-C-5/16X1 CAP SCREW	12 pc
73-3134	134	#S-C-1/4X2-1/2 CAP SCREW	2 pc
73-761	135	#S-C-1/4X5/8 CAP SCREW	1 pc
73-0480	136	#S-C-1/4X1 CAP SCREW	6 pc
73-763	137	#S-C-1/4X1/2 CAP SCREW	4 pc
73-0492	138	#S-C-5/16X3/4 CAP SCREW	6 pc
73-0486	139	#S-C-3/8X1 CAP SCREW	4 pc
73-0488	140	#S-C-3/8X1-1/4 CAP SCREW	4 pc
73-0516	141	#S-S5/16X5/8 SET SCREW	1 pc
73-0512	142	#S-S5/16X2 SET SCREW	1 pc
73-770	143	#S-S5/16"X3/8" SCREW	1 pc
73-0515	144	#S-S5/16X5/16 SET SCREW	2 pc
73-0532	145	#WB-1/2 FLAT WASHER	3 pc
73-0523	146	#SW-3/4 SPRING WASHER	1 pc
73-0524	147	#SW-3/8 SPRING WASHER	12 pc
73-777	148	#SW-1/4 SPRING WASHER	2 pc
73-778	149	#SW-5/16 SPRING WASHER	2 pc
73-0418	150	#NUT-3/4X16NF (AX-M20, M30)	1 pc
73-G071	151	#NUT-1/2X20NF NUT 1/2X20NF	1 pc
73-773	152	#NUT-3/8X16NC (AX-M20, M30)	3 pc
73-8531	153	#NUT-5/16X18NC NUT	3 pc
73-0415	154	#NUT-1/2X12NC (AX-M30, M60)	4 pc
73-8462	155	#AXM40-05-001/220/60/1 MOTOR-220V/60/1-1.5HP	1 pc
73-0248	156	#AXM30-01-006 U-TYPE SEAL (AX-M30)	1 pc
73-8474	157	#D11001R STICKER OF PANEL	1 pc
73-3STA	159	#BM30-05-001CO(110V) START CAPACITOR 400MFD/125VAC	1 PC
73-3RUN	160	#GM30-05-001COUN RUN CAPACITOR 30UF/300VAC	1 PC