



Simply Engineered Better

SW

Pass Through Fully Automatic Glasswashing Machine



SW600

SW400

SPECIFIER STATEMENT

Specified unit will be Moyer Diebel model SW400 or SW600 pass-through conveyor type glasswasher.

Features include detergent, sanitizer and rinse aid pump, upper & lower wash/rinse arms, cold water final rinse, polypropylene conveyor, two splash curtains, processes 2,000 glasses/hr. Warranty: 1 year parts, 90 day labor.



Project _____
 Item No. _____
 Quantity _____

SW GLASSWASHING MACHINE

STANDARD FEATURES

- Highest capacity cleans and sanitizes **2,000 glasses per hour**
- Cool water final rinse ensures steady supply of clean, cool glasses ready for immediate use, reducing labor and breakage
- No steam generated behind the bar
- Automatic operation glass activated shut-off switch
- **Upper** and **lower** wash and rinse arms
- Built-in three pump injection system uses iodine or chlorine sanitizer
- Cabinet provides convenient storage for chemicals
- Polypropylene belt conveyor eliminates chipping of stemware
- Right-to-left or left-to-right operation (please specify)
- Include 6' NEMA 6-15p cord and plug
- One year parts and labor warranty

OPTIONS & ACCESSORIES

- | | | |
|---|---|-------------|
| <input type="checkbox"/> SW46C | – Waste Sink | P/N 0708453 |
| <input type="checkbox"/> SW12 | – S/S splash guards for SW400 | P/N 0702877 |
| <input type="checkbox"/> SW24 | – S/S splash guards for SW600 | P/N 0702878 |
| <input type="checkbox"/> SW48 | – S/S back panel for SW400 | P/N 0702882 |
| <input type="checkbox"/> SW72 | – S/S back panel for SW600 | P/N 0702886 |
| <input type="checkbox"/> Kit 264 | – Washdown hose | P/N 0701956 |
| <input type="checkbox"/> Kit 332 | – Casters; set of 4,
2 locking, 2 stationary | P/N 0701962 |
| <input type="checkbox"/> Site Glass kit | | P/N 0712993 |
| <input type="checkbox"/> SW47 | – Drain Tray Waste Collector | |

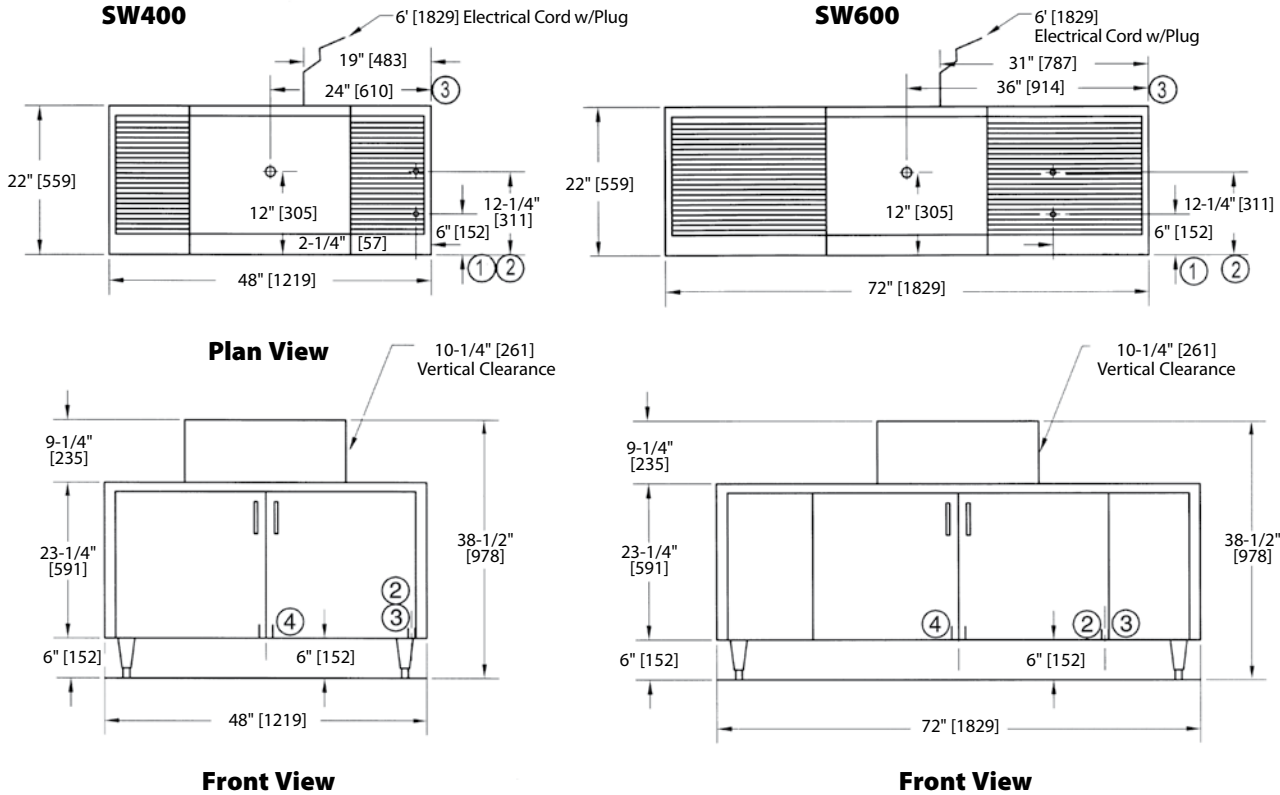


Simply Engineered Better

SW

Pass Through Fully Automatic
Glasswashing Machine

Dimensions shown in inches and [millimeters]



NOTE: Both Doors: 21-1/2" [546] High
22" [559] Wide

Utilities	
1 Electrical	208 - 230/50/1, 15 amp (Supplied with 4ft. plug-in cord NEMA 6-15P)
2 Hot Water Connection	1/2" IPS. Flow pressure 25-95 psi (173-656 kPa)
3 Cold Water Connection	1/2" IPS. Flow pressure 25-95 psi (173-656 kPa)
4 Drain Connection	1/2" IPS. Flow pressure 25-95 psi (173-656 kPa) 1-1/2" tailpiece. Connect to drain size according to local plumbing code.

	Uncrated		Crated	
	SW400	SW600	SW400	SW600
Height*	38-1/2" [978]	38-1/2" [978]	49" [1244]	49" [1244]
Width	48" [1219]	72" [1882]	53" [1346]	76-1/2" [1942]
Depth	22" [559]	22" [559]	27-1/2" [698]	27-1/2" [698]
Ship Wt. lbs/kg	225/102	285/129	255/115	325/147

* Adjustable foot height - 1-1/4" [32]

SPECIFICATIONS

Capacity	2-1/2" glasses/hr.	2000
Water Consumption	Cold water	2.8 US gpm
	Hot water (initial fill)	3 US gallons
	(Max. use-approx. 10 US gph)	
Temperatures °F	Inlet water (hot)	140-160
	Inlet water (cold)	75
Heating	Tank heat, electric (kW)	3
Conveyor	Speed inches	14

Warning: Plumbing and electrical connections should be made by qualified personnel who will observe all the applicable plumbing, sanitary and safety codes.