

Tilting Skillet

Electric, Manual Tilting
Floor Mounted
Made in USA

Classic Model TES

Standard Features



Model TES-2440-9

(with optional 1.5" draw-off valve & adjustable flanged feet)

- ◆ 304 stainless seam welded pan body with:
 - ◇ Center trunnion mounted
 - ◇ Self-locking worm gear tilt mechanism
 - ◇ Rotation exceeds 90°
 - ◇ 304 stainless cooking surface
 - ◇ 240V, three phase (3Ø) standard
- ◆ Adjustable thermostat (175°F to 400°F)
- ◆ High limit safety thermostat
- ◆ Patented 304 stainless safety lid, seam welded with:
 - ◇ Actuator-assisted counterbalance
 - ◇ Full width condensate drip shield
 - ◇ Full width rear steam vent
 - ◇ 304 stainless safety handle
 - ◇ Single side-mounted safety handles
- ◆ 304 stainless, reinforced, water-resistant control console
- ◆ 304 stainless, tubular frame construction
- ◆ Adjustable bullet feet
- ◆ Knockdown capability to fit through 26" x 66" opening

Legion equipment is built to comply with applicable standards for manufacturers. Approval agencies may include ASME, NSF, UL, ETL, AGA, CSA, CGA, and others. Legion reserves the right of design improvement or modification as warranted. U.S. Patent Nos. 5,553,531, 5,964,145 & Des. 371,715.

Models and Capacities

Model	2.5" Insert Pans	Cooking Baskets	Griddle Area (in. ²)	Kettle (Gals.)	Oven Volume (ft. ³)
TES-2424-7	1	1	628	19	2.5
TES-2424-9	1	1	628	24	3.3
TES-2424-11	1	1	628	30	4.0
TES-2430-7	2	2	778	23	3.2
TES-2430-9	2	2	778	30	4.1
TES-2430-11	2	2	778	37	5.0
TES-2440-7	3	3	1029	31	4.2
TES-2440-9	3	3	1029	40	5.4
TES-2440-11	3	3	1029	49	6.6

Optional Features and Accessories

See price list for supplemental information regarding options

Faucet Options:

- _Single ball valve mounted to frame with 48" vinyl flexible spray hose assembly
- _48" flexible spray hose assembly (vinyl or stainless) for use with dual or single fill faucet
- _Automatic water filling meter

(Call for information regarding additional faucet options)

Prison/Security Options:

- _Fasteners (screws & nuts)
- _Nut / screw driver tool
- _Draw-off nut driver tool
- _Lockable control cover
- _Lockable lid
- _Draw-off protection

Feet:

- _Restraining device kit
- _Casters (two each locking/non-locking type) & restraining devices
- _Adjustable flanged feet

Accessories:

- _Perforated cooking/steaming basket (11" x 20½" x 5")
- _Perforated or solid 12 x 20 food pans, 2½, 4 or 6 inch deep
- _Draw-off drain spout
- _Draw-off strainer
- _Draw-off drain hose
- _#10 Can holder for draw-off
- _Flat bottom scoop
- _Fry scoop
- _Care kit
- _3 part tool for cleaning cooking surface
- _Pour lip pan holder assembly
- _Pour lip strainer

Other Options:

- _Electric timer with buzzer
- _In wall carrier for wall mounting

Select draw-off valve: 1.5" 2" 3"

With: compression ball type fitting

See price list for other draw-off options.

Select Voltage: 208V 240V 380V 415V 440V 480V

Select Phase: 1φ 3φ

Revision 113



LEGION Legion Industries, Inc.
(706) 554-4411 Fax: (706) 554-2035

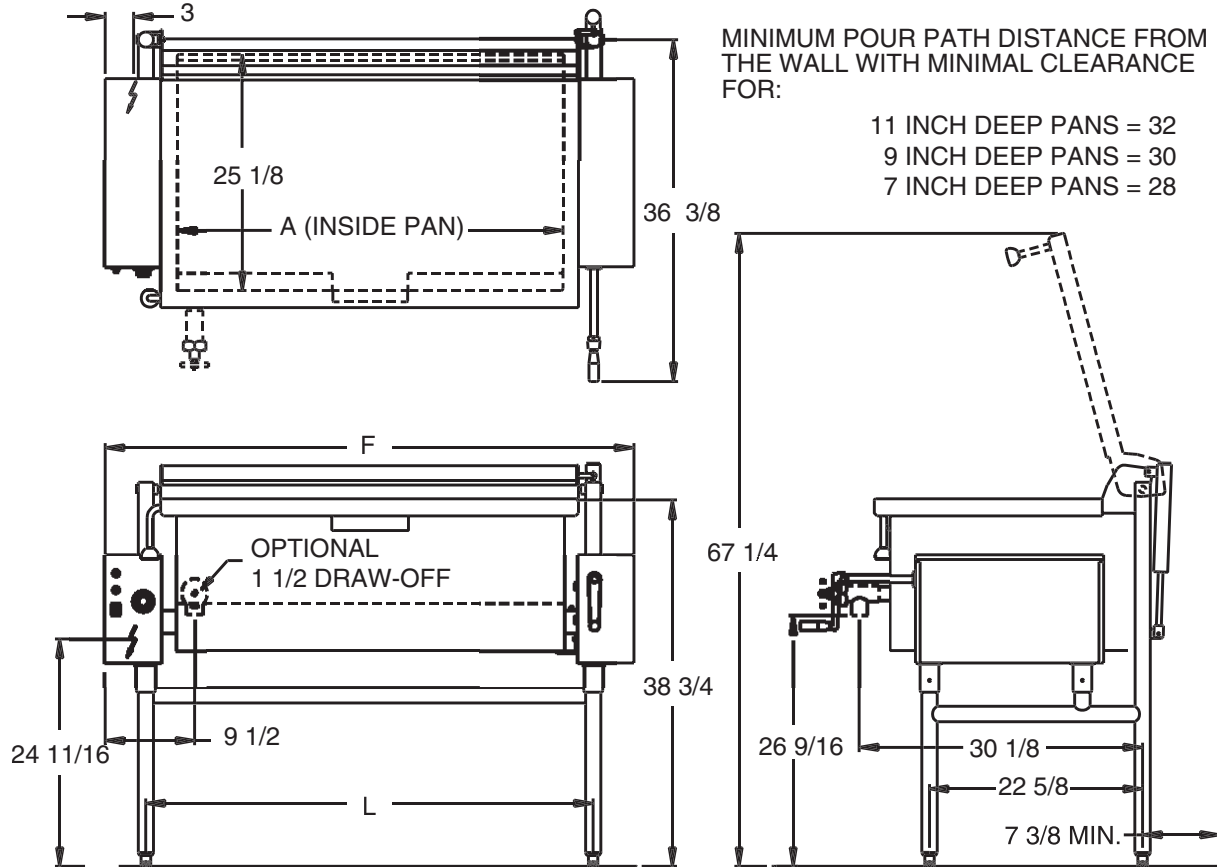
P.O. Office Box 728 Waynesboro, GA 30830 (800) 887-1988
www.legionindustries.com sales@legionindustries.com

Classic Model TES

Electric, Manual Tilting
Floor Mounted
Made in USA

Tilting Skillet

DRAWING REPRESENTS MODEL TES-2440-11 WITH OPTIONAL 1 1/2 DRAW-OFF



CLASSIC TILTING SKILLET MODEL TES DIMENSIONS

MODEL*	DEPTH	A	F	L	MODEL*	DEPTH	A	F	L	MODEL*	DEPTH	A	F	L
TES-2424-7	7	25.0	40.1	31.5	TES-2430-7	7	31.0	46.1	37.5	TES-2440-7	7	41.0	56.1	47.5
TES-2424-9	9	25.0	40.1	31.5	TES-2430-9	9	31.0	46.1	37.5	TES-2440-9	9	41.0	56.1	47.5
TES-2424-11	11	25.0	40.1	31.5	TES-2430-11	11	31.0	46.1	37.5	TES-2440-11	11	41.0	56.1	47.5

*Dimensions on these drawings are applicable only when using a 1.5" diameter draw-off valve. If a 2" or 3" diameter draw-off valve is required, contact Legion for applicable dimensions.

CLASSIC TILTING SKILLET MODEL TES ELECTRICAL SPECIFICATIONS (Amperes per Leg)

MODEL*	kW	208 Volt		240 Volt		380 Volt	415 Volt	440 Volt	480 Volt
		1 Phase	3 Phase-Δ	1 Phase	3 Phase-Δ	3 Phase-Y	3 Phase-Y	3 Phase-Y	3 Phase-Y
TES-2424-()	5.9	25.6	14.8	24.6	14.2	9.0	8.2	7.8	7.1
TES-2430-()	11.8	51.3	29.6	49.3	28.4	18.0	16.4	15.5	14.2
TES-2440-()	17.7	76.9	44.4	73.9	42.7	27.0	24.6	23.3	21.3

U.S. PATENT NOS. 5,553,531, 5,964,145 & DES. 371,715

Revision 113



LEGION Legion Industries, Inc. P.O. Office Box 728 Waynesboro, GA 30830 (800) 887-1988
(706) 554-4411 Fax: (706) 554-2035 www.legionindustries.com sales@legionindustries.com