

ICE STORAGE EQUIPMENT ICE FILL STATION

Common Features

- Standard cart(s) are included
- Capacities and crated weights include the cart(s) and are variable, capacities shown include cart capacity
- 1 1/2" foamed in-place polyurethane insulation
- Convenient snout door spring hinge
- S/S baffle behind door prevents ice overflow
- Clear polycarbonate sliding view windows
- FOB origin on all freight unless pre-approved arrangements are made on a per order basis

Double Cart Model					
Model	Capacity	Width	Depth	Height	Weight
IFS1700-125	1818lbs	72"	34"	82.5"	665lbs
IFS2400-125	2576lbs	72"	34"	102.5"	775lbs
IFS2500-125	2639lbs	72"	48"	82.5"	780lbs
IFS2700-125	3739lbs	72"	48"	102.5"	920lbs
IFS1700-250	1818lbs	72"	34"	82.5"	685lbs
IFS2400-250	2576lbs	72"	34"	102.5"	875lbs
IFS2500-250	2639lbs	72"	48"	82.5"	800lbs
IFS2700-250	3739lbs	72"	48"	102.5"	940lbs

- Seamless poly liner
- Height includes 32.5" high square tube base on 125's and 41.5" on 250's
- Standard ABS top for 34" deep units
- 125 denotes cart capacity 125lbs
- 250 denotes cart capacity 250 lbs

72" Ice Fill Station (IFS1700-125)



96" Ice Fill Station (IFS3500-125)

Single Cart Model					
Model	Capacity	Width	Depth	Height	Weight
IFS3500-125	3557lbs	96"	48"	82.5"	825lbs
IFS3400-125	5039lbs	96"	48"	102.5"	1260lbs
IFS4800-125	6522lbs	96"	48"	122.5"	1350lbs
IFS3500-250	3557lbs	96"	48"	82.5"	845lbs
IFS3400-250	5039lbs	96"	48"	102.5"	1280lbs
IFS4800-250	6522lbs	96"	48"	122.5"	1370lbs

- Seamless poly liner
- Height includes 32.5" high square tube base on 125's and 41.5" on 250's
- Standard ABS top for 34" deep units
- 125 denotes cart capacity 125lbs
- 250 denotes cart capacity 250 lbs



ICE STORAGE EQUIPMENT

TECHNICAL PRODUCT DATA

Part 3 – Ice Fill Station

3.1 GENERAL

- A. Height includes leg set and 1" for top closures. Add 10 1/2" to depth after Install for snout/door assembly.
- B. Poly snout(s) and set(s) of sliding view windows are tool-free install.
- C. Dimensions shown in inches and pounds.
- D. Application capacity is determined as 90% of total volume in cubic feet x 34lb./ cu. ft. avg. Ice density. Shipping weights are approximate and variable.
- E. Capacities shown include cart capacity.

3.2 CLOSURES

- A. Equipped with a standard reinforced ABS top that will accommodate ice maker. Please call for special application requirements.
- B. Stainless steel closures are built to match ice manufacturing specification are included in price for all S/S lined bins. Please specify ice maker to be used at time of order.
- C. S/S tops are fully gasketed, reinforced and cut to ice maker of choice.

3.3 LEG FRAMES AND ADJUSTABLE FEET

- A. All models equipped with adjustable bullet and/or flanged leveling feet.
- B. All 16 gauge stainless steel 1 1/2" square tubing welded leg sets.

3.4 MATERIALS

- A. Cabinets fabricated from T304 stainless steel sheet, (T316 stainless steel available at additional cost) conforming to ASTM A240. All exposed surfaces polished to a No. 4 brushed satin finish.
- B. SBB models have stainless steel fronts, sides, backs and bottoms.
- C. SS models have stainless steel fronts and sides with galvanized steel backs.
- D. Seamless molded polyethylene liners with 1 1/2" Foamed-in-place polyurethane insulation.
- E. Sliding view windows are 1/4" polycarbonate.

3.5 PRISON PACKAGE OPTIONS

- A. Prison package/Anti-vandalism package (quotes available upon request).
- B. Both single and double door units are available with these options; either is available individually or as a package.
 - 1. 20 gauge stainless steel liner (either seamed or fully welded) (24 ga. Standard).
 - 2. All stainless steel snout with lockable door.
 - 3. Stainless steel top closure.
 - 4. 6" stainless steel bolt down flanged legs
 - 5. Stainless steel view window cover plate with security screws for authorized removal.

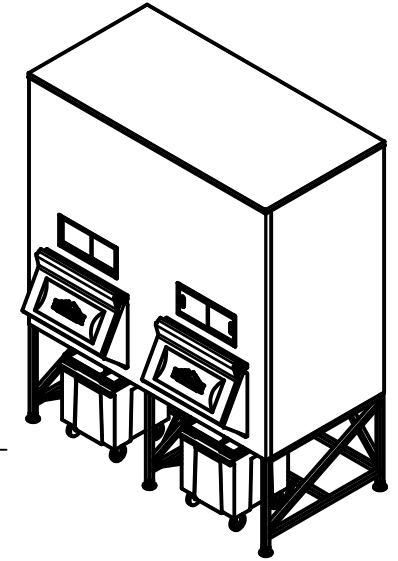
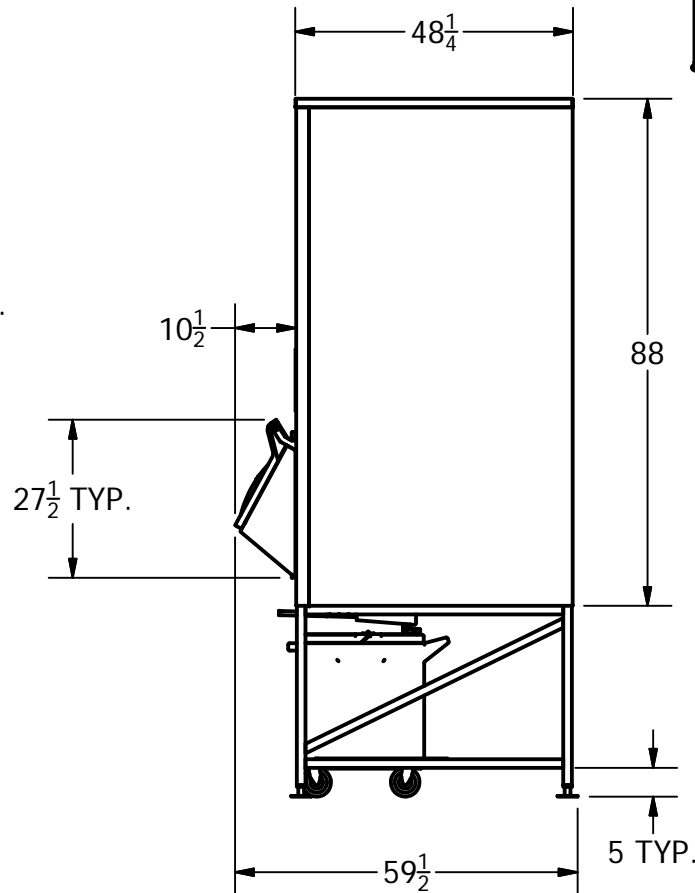
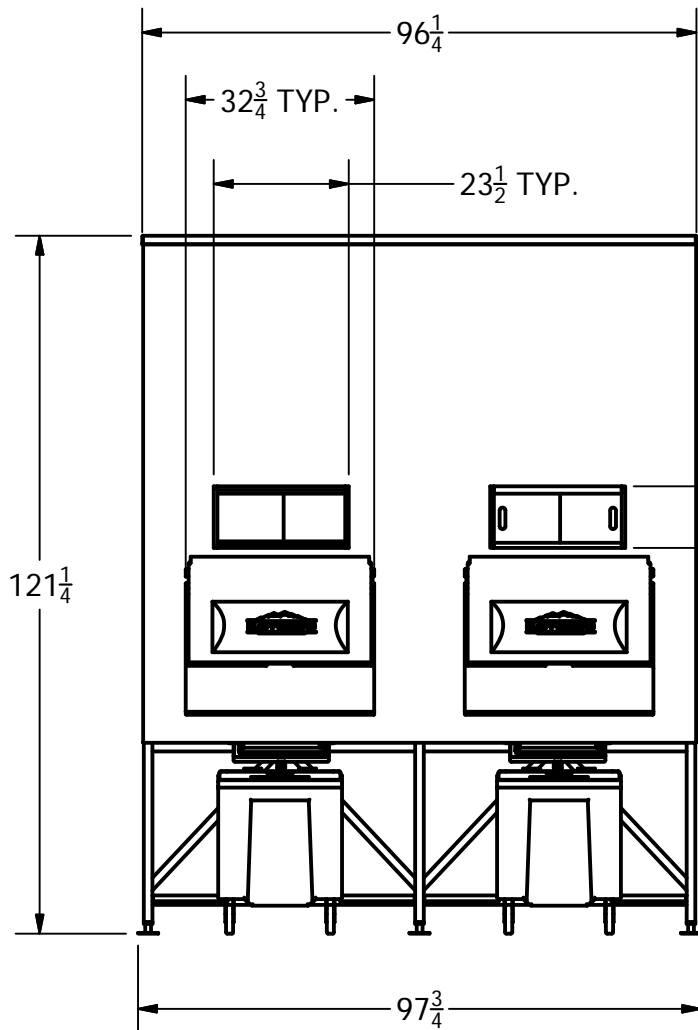
***All ice storage bins and shuttle systems are available
with a stainless steel liner, fully welded with coved
corners. Please call for pricing!***

ISE ADVANTAGE by Kloppenberg



1-800-346-3246

www.kloppenberg.com



Quality is the Best Buy

ICE HANDLING & STORAGE EQUIPMENT

THIS DOCUMENT AND ALL INFORMATION SHOWN HEREON ARE THE EXCLUSIVE PROPERTY OF KLOPPENBERG & COMPANY. USE OR DUPLICATION OF THIS DOCUMENT WITHOUT PRIOR WRITTEN CONSENT IS PROHIBITED, AND SHALL BE RETURNED UPON REQUEST.

UNLESS OTHERWISE SPECIFIED TOLERANCE IS $\pm 1/16"$

NO.	REVISION	DATE

TITLE:

ICE FILL STATION

MATERIAL:

DO NOT SCALE DRAWING

DATE: 2/20/2012

DRAWN BY: MRD

SCALE:

PART NO.

IFS 4800-125

SHEET 1 OF 1