

Common Features

- 1 1/2" foamed in-place polyurethane insulation
- Convenient snout door spring latch
- S/S baffle behind door prevents ice overflow
- Clear polycarbonate sliding view windows
- Factory installed 1" IPS plastic drain
- FOB origin on all freight unless pre-approved arrangements are made on a per order basis

Single Door Upright					
Model	Capacity	Width	Depth	Height	Weight
705-SS	741lbs	30"	34"	58"	240lbs
705-SBB	741lbs	30"	34"	58"	240lbs

•SBB—Stainless steel front, sides, back and bottom
 •SS—Stainless steel front and sides
 •Seamless poly liner

705



Single Door Upright					
Model	Capacity	Width	Depth	Height	Weight
905-SS	1023lbs	30"	34"	77"	285lbs
905-SBB	1023lbs	30"	34"	77"	285lbs

•SBB—Stainless steel front, sides, back and bottom
 •SS—Stainless steel front and sides
 •Seamless poly liner

905



ICE STORAGE EQUIPMENT

TECHNICAL PRODUCT DATA

Part 1 – Uprights

1.1 GENERAL

- A. Height includes 6" adjustable legs and 1" for top closures. Add 10 1/2" to depth after Install for snout/door assembly.
- B. Poly snout(s) and set(s) of sliding view windows are tool-free install.
- C. Dimensions shown in inches and pounds.
- D. Application capacity is determined as 90% of total volume in cubic feet x 34lb./ cu. ft. avg. Ice density. Shipping weights are approximate and variable.

1.2 CLOSURES

- A. Equipped with a standard reinforced ABS top that will accommodate ice maker. Please call for special application requirements.
- B. Stainless steel closures are built to match ice manufacturing specification are included in price for all S/S lined bins (included in 705 and 905 models). Please specify ice maker to be used at time of order.
- C. S/S tops are fully gasketed, reinforced and cut to ice maker of choice.

1.3 ADJUSTABLE FEET

All models equipped with adjustable bullet and/or flanged feet.

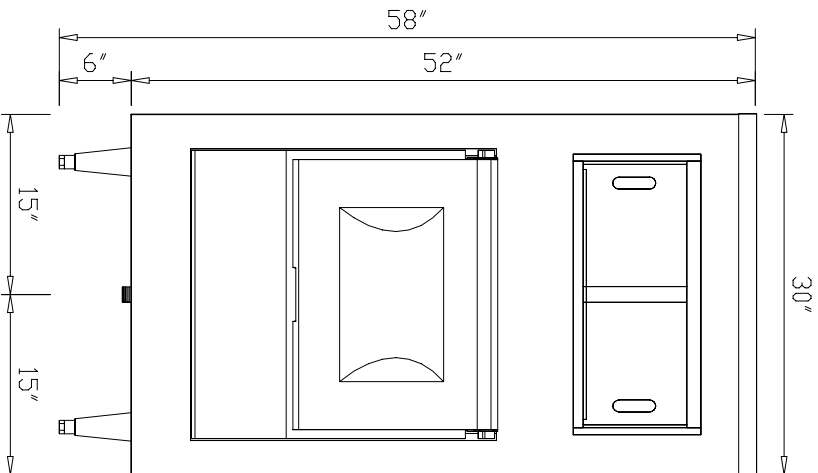
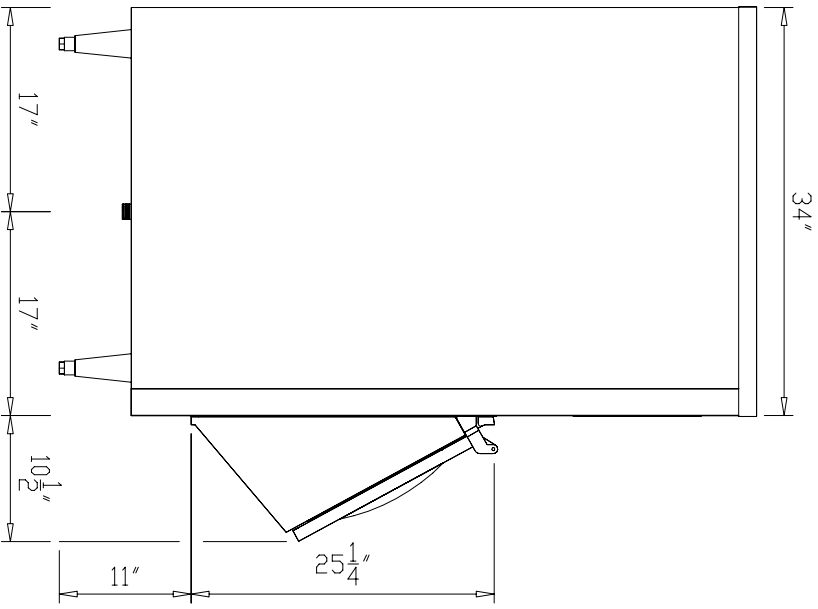
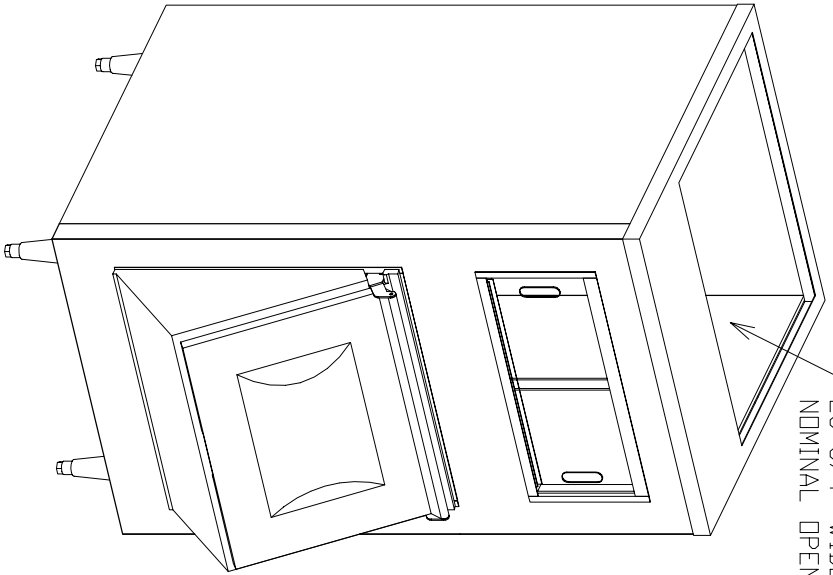
1.4 MATERIALS

- A. Cabinets fabricated from T304 stainless steel sheet, (T316 stainless steel available at additional cost) conforming to ASTM A240. All exposed surfaces polished to a No. 4 brushed satin finish.
- B. SBB models have stainless steel fronts, sides, backs and bottoms.
- C. SS models have stainless steel fronts and sides with galvanized steel backs.
- D. Seamless molded polyethylene liners with 1 1/2" Foamed-in-place polyurethane insulation.
- E. Sliding view windows are 1/4" polycarbonate.

1.5 PRISON PACKAGE OPTIONS

- A. Prison package/Anti-vandalism package (quotes available upon request).
- B. Both single and double door units are available with these options; either is available individually or as a package.
 - 1. 20 gauge stainless steel liner (either seamed or fully welded) (24 ga. Standard).
 - 2. All stainless steel snout with lockable door.
 - 3. Stainless steel top closure.
 - 4. 6" stainless steel bolt down flanged legs.
 - 5. Stainless steel view window cover plate with security screws for authorized removal.

***All ice storage bins and shuttle systems are available
with a stainless steel liner, fully welded with coved
corners. Please call for pricing!***




KLOPPENBERG
Quality is the Best Buy
ICE HANDLING & STORAGE EQUIPMENT

UPRIGHT BIN

DATE: 07-01-05
DRAWN BY: M.L.S.
SCALE: AS NOTED
DWG NO. 705
SHEET 1 OF 1