

Item#

Project

Date

Models: PBIC-330, PBIC-430



Models PBIC-430 & PBIC-330



Model PBIC-330



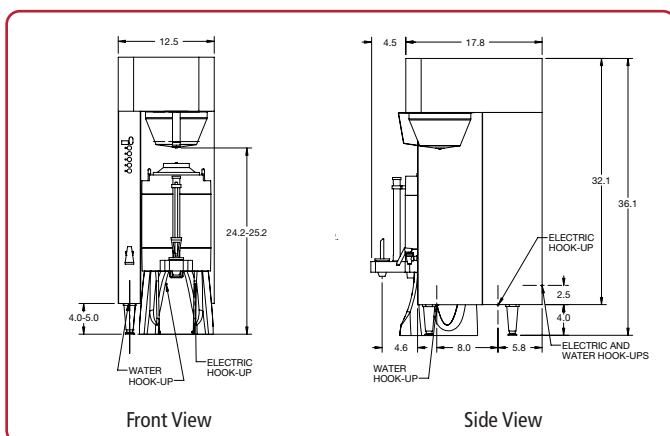
Model PBIC-430

Features

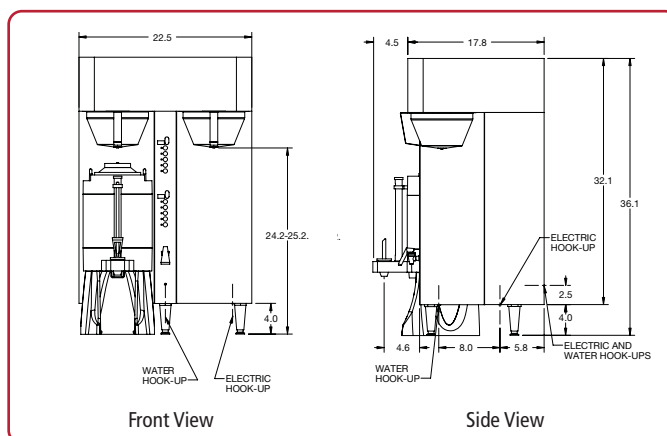
- Model PBIC-330 is a single, digitally controlled brewer. It includes (1) VS-1.5S Shuttle® with stand.
- Model PBIC-430 is a twin, digitally controlled brewer. It includes (2) VS-1.5S Shuttles® with stands.
- The VS-1.5S Shuttle® is a 1.5 gallons (5.7L) vacuum insulated, stainless steel container with stand. It is portable and will maintain freshly brewed coffee hot without additional heat.
- Programmable Pre-Infusion – Allows the operator complete control over the initial soaking of the grounds independently from Pulse Brewing feature.
- Programmable Energy Saving Feature – Allows the brewer to go into energy conservation mode after three hours of inactivity.
- Improved Operator Feedback – Real-time feedback provides operator with: 1) a brew cycle countdown timer; instant knowledge of when the spray-over will finish. 2) a scrolling dripping message indicating that the brew basket is draining. 3) a scrolling done message indicating that the brew cycle is completely done.
- Programmable Drip Time – Allows operator to control the length of time the brew basket will remain locked after the spray over is completed.
- The following brew variables are programmable through the front display: Water temperature, brew volume, pulse brewing sequence, bypass percentage, low temp/no brew.
- Precise Brew Temperature – The brewer will hold the brew temperature to +/- 1°F during the complete brew cycle.
- 3 Brew Volumes – From ½ gallon (1.9L) to 1½ gallons (5.7L). Each volume can be set by 'teach' mode to eliminate trial-&-error set-up.
- Programming Lockout – The brewer settings can be "locked" to prevent tampering.

Models & Dimensions

PBIC-330 Single, Digitally Controlled Brewer



PBIC-430 Twin, Digitally Controlled Brewer



Specifications

Model	Description	Dimensions (H x W x D)	Ship Dimensions (H x W x D)	Electrical	Ship Weight
PBIC-330	Single, digitally controlled brewer brews into (1) VS-1.5S Shuttle® with stand (included).	36" x 12.5" x 17.75" (91 cm x 32 cm x 45 cm)	44" x 27" x 22" (112 cm x 68 cm x 55 cm)	120/240V, 6600W, 28A 120/208V, 5000W, 24A	80 lbs. (37 kg)
PBIC-430	Twin, digitally controlled brewer brews into (2) VS-1.5S Shuttles® with stands (included).	36" x 22.5" x 17.75" (91 cm x 57 cm x 45 cm)	33" x 27.5" x 22" (83 cm x 69 cm x 55 cm)	120/240V, 6600W, 28A 120/208V, 5000W, 24A	145 lbs. (66 kg)

Plumbing: 3/8" (9.5 mm) flare water line at 30 - 70 psi required. **Electrical:** Line cord not included. Export voltage available, see International guide. **Capacity:** 5 oz. (148 ml) cups/hour (140°F Δ T) PBIC-330 @ 240V = 460, @ 208V = 385. PBIC-430 @ 240V = 500, @ 208V = 385. Contact Grindmaster-Cecilware™ for more information. Specifications subject to improvement or change without notice.

Accessories

Model	Description
VS-1.5S	Additional vacuum insulated Shuttle® with stand.
BB2.0WP	14" x 6" filter paper for BB2.0SS - 500/case.
DP-15	Drip pan for PBIC-430.
DP-8	Drip pan for PBIC-330.

Options

Model	Description
BB2.0SS	Gourmet brew basket (standard).
AOPT-1961	Gourmet spray head.
AOPT-307	3 Heater 15 KW (high output) PBIC-430 only.

