

Mid Sized Poppers

Part No. 77599
Revised June 1996

Instruction Manual All Models



 **GOLD MEDAL**[®]

FUNFOOD EQUIPMENT & SUPPLIES

Cincinnati, OH 45241-4807 USA

SAFETY PRECAUTIONS



⚠ DANGER

Machine **MUST** be properly grounded to prevent electrical shock to personnel. Failure to do so could result in serious injury, or death. Do **NOT** immerse the kettle, warmer, or any other part of this equipment in water. Always unplug the equipment before cleaning or servicing. Do not use excessive water when cleaning.



⚠ WARNING

To avoid serious burns, do **NOT** touch the kettle while it is hot.



⚠ WARNING

ALWAYS wear safety glasses when servicing this equipment.



⚠ WARNING

Any alterations to this equipment will void the warranty and may cause a dangerous situation. **NEVER** make alterations to the equipment. Make sure all machine switches are in the off position before plugging the equipment into the receptacle.



⚠ CAUTION

Do **NOT** allow direct contact with this equipment and the general public when used in food service locations. Only personnel that are trained and familiar with the equipment should operate the equipment. Carefully read all installation instructions before operation.



⚠ CAUTION

This machine is **NOT** to be operated by minors. Minors are classified as anyone under the age of 18.

NOTE

The information, specifications and illustrations contained in this manual represent the latest data available at time of publication. Right is reserved to make changes as required at the discretion of Gold Medal Products Company without notice.

INSTALLATION

CHECKING SHIPMENT

Remove the corrugated carton from the popcorn machine. Check thoroughly for any damage which may have occurred in transit. Claims should be filed immediately with the transportation company.

We recommend that you retain the shipping carton and packing in case you wish to return the machine for annual maintenance. Remove remaining tape and other packing material.

ELECTRICAL REQUIREMENTS

Standard voltage for all domestic machines is 120 Volt, 60 cycle, AC single phase current. Your new machine is furnished with the proper size attachment plug for carrying this current. The Pinto Pop requires a 15 amp circuit. The Mega Pop requires a 20 amp circuit. Your electrician must furnish sufficient current for troublefree operation.

BEFORE YOU PLUG IN THE MACHINE

1. Make sure the wall outlet can take the three pronged grounded plug on the power supply cord.
2. Make sure the wall outlet has the proper polarity. If in doubt, have a competent electrician check the outlet.
3. Do NOT use a three prong to two prong plug adapter.

MACHINE OPERATION

CONTROLS AND THEIR FUNCTIONS

There are three switches on the popper.

LIGHT AND WARMER SWITCH

Turns on the heat lamp and optional strip heater under the corn pan.

KETTLE MOTOR SWITCH

Turns on the motor which drives the kettle agitator shaft.

KETTLE HEAT SWITCH

Turns on the heat element inside the kettle.

Turn the motor switch "ON" with the agitator shaft disengaged from the gearbox to make sure that it turns freely. If it doesn't, then see if the top of the roof or dome may have been bent down in transit. This could stall the fan blade on the top of the motor. Occasionally, a machine is dropped in transit.

AMOUNT OF POPCORN AND OIL CHARGE

The Pinto Pop is equipped with an eight ounce corn measure cup. The Mega Pop is equipped with an twelve ounce corn measure cup. We recommend flavored and colored coconut oil. Popcorn popped in coconut oil stays fresher longer and does not leave black deposits in your kettle like other oils.

PINTO POP

Corn Charge - 8 ounces
Oil Charge - 2 ounces
Flavacol Seasoning Salt - 1 tablespoons

MEGA POP

Corn Charge - 12 ounces
Oil Charge - 3 ounces
Flavacol Seasoning Salt - 1½ tablespoons

POPPING INSTRUCTIONS

1. Turn the Kettle Heat and Kettle Motor switches "ON".
2. Test pop with three kernels of corn and one ounce of popping oil. When the kernels pop, your kettle is ready.
3. Load full corn and oil charges and add Flavacol Seasoning Salt into the kettle.
4. When the corn has popped, dump the kettle.
5. Repeat the cycle starting with number 3. Always pop 3 to 5 batches for the best popcorn.


On the final kettle of corn, it is a good idea to turn the Kettle Heat switch "OFF" just as the lids are forced open by the popping corn. This saves electricity, since there is plenty of heat in the kettle, and also eliminates smoke and odor after you have stopped popping.


CARE AND CLEANING


Each time you finish a series of poppings, wipe the outside of the kettle with a soft cloth to remove any oil drippage on the outside of the kettle. Do NOT let it burn on! After you finish popping for the day, let the kettle cool until it is not too hot to handle but still warm. Unplug the kettle and remove it from the machine. With a cloth, wipe out the inside of the kettle, the kettle lids, kettle crossbar, outside of the kettle, and underneath. Do NOT immerse the kettle in water!

For fresh corn tomorrow, always remove all popped popcorn and pack it into clean plastic bags. Tie the bags tightly with a twister. Now, clean the glass and wipe off the corn pan. Make sure the machine is sparkling clean when you leave it. Do not forget to remove the old maid pan and empty out the unpopped kernels and wipe clean.

MAINTENANCE INSTRUCTIONS

	⚠ CAUTION
	<p>THE FOLLOWING SECTIONS OF THIS MANUAL ARE INTENDED ONLY FOR QUALIFIED SERVICE PERSONNEL WHO ARE FAMILIAR WITH ELECTRICAL EQUIPMENT. THESE ARE NOT INTENDED FOR THE OPERATOR.</p>

	⚠ WARNING
	<p>Adequate eye protection must be used when servicing this equipment to prevent the possibility of injury.</p>

	⚠ DANGER
	<p>Do NOT immerse the kettle, warmer, or any other part of this equipment in water. Unplug your machine before servicing.</p>

ORDERING SPARE PARTS

1. Identify the desired part by checking it against the photos, illustrations, and/or the parts list.
2. When ordering, please include part number, part name, and quantity desired.
3. Please include your model name and machine serial number (located on the machine nameplate) with your order.
4. Address all parts orders to:

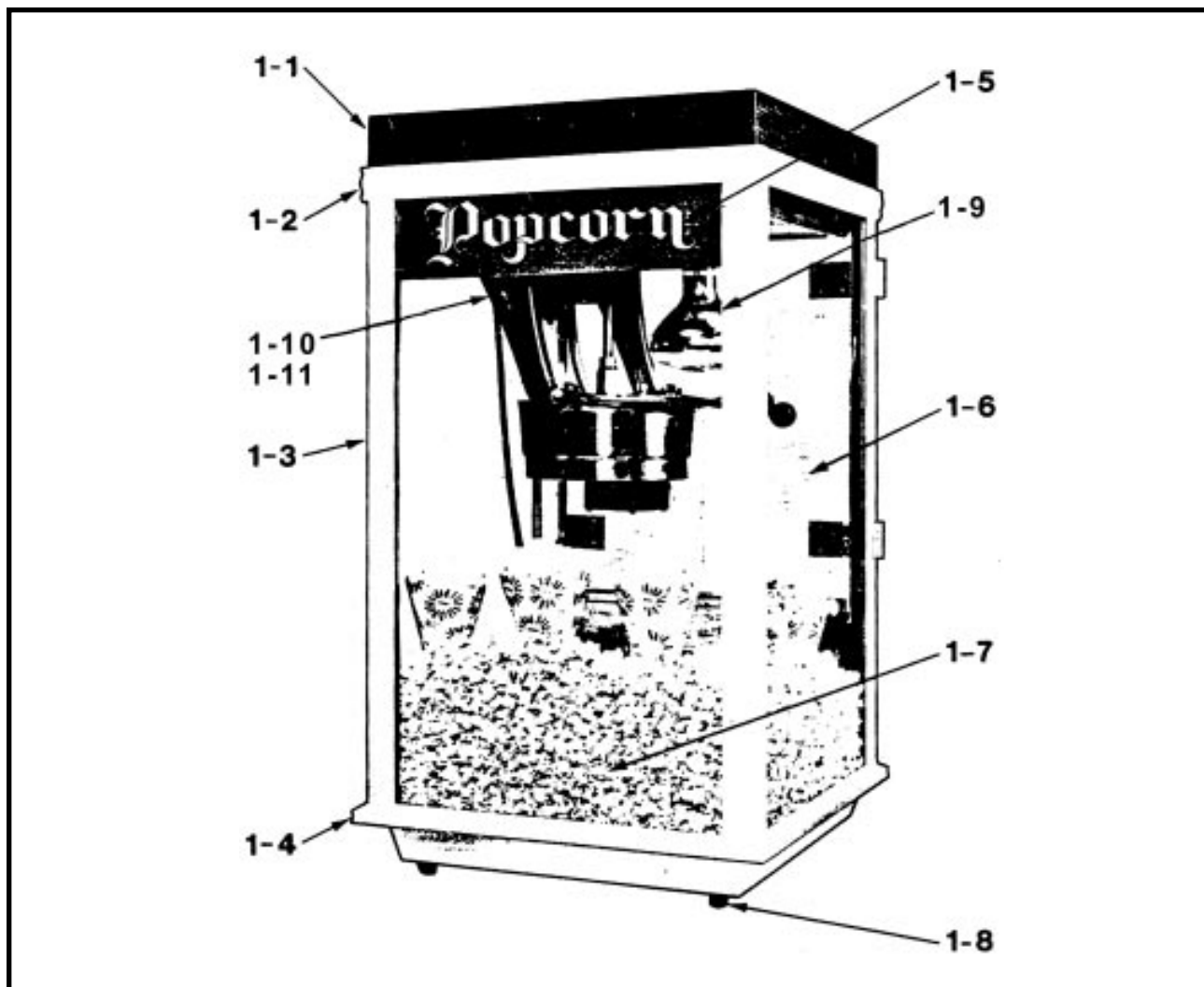
Parts Department
 Gold Medal Products Co.
 10700 Medallion Drive
 Cincinnati, Ohio 45241-4807

or, place orders at:

(513) 769-7676
 Fax: (513) 769-8500
 E-mail: goldme19@eos.net

PARTS LIST – FRONT VIEW

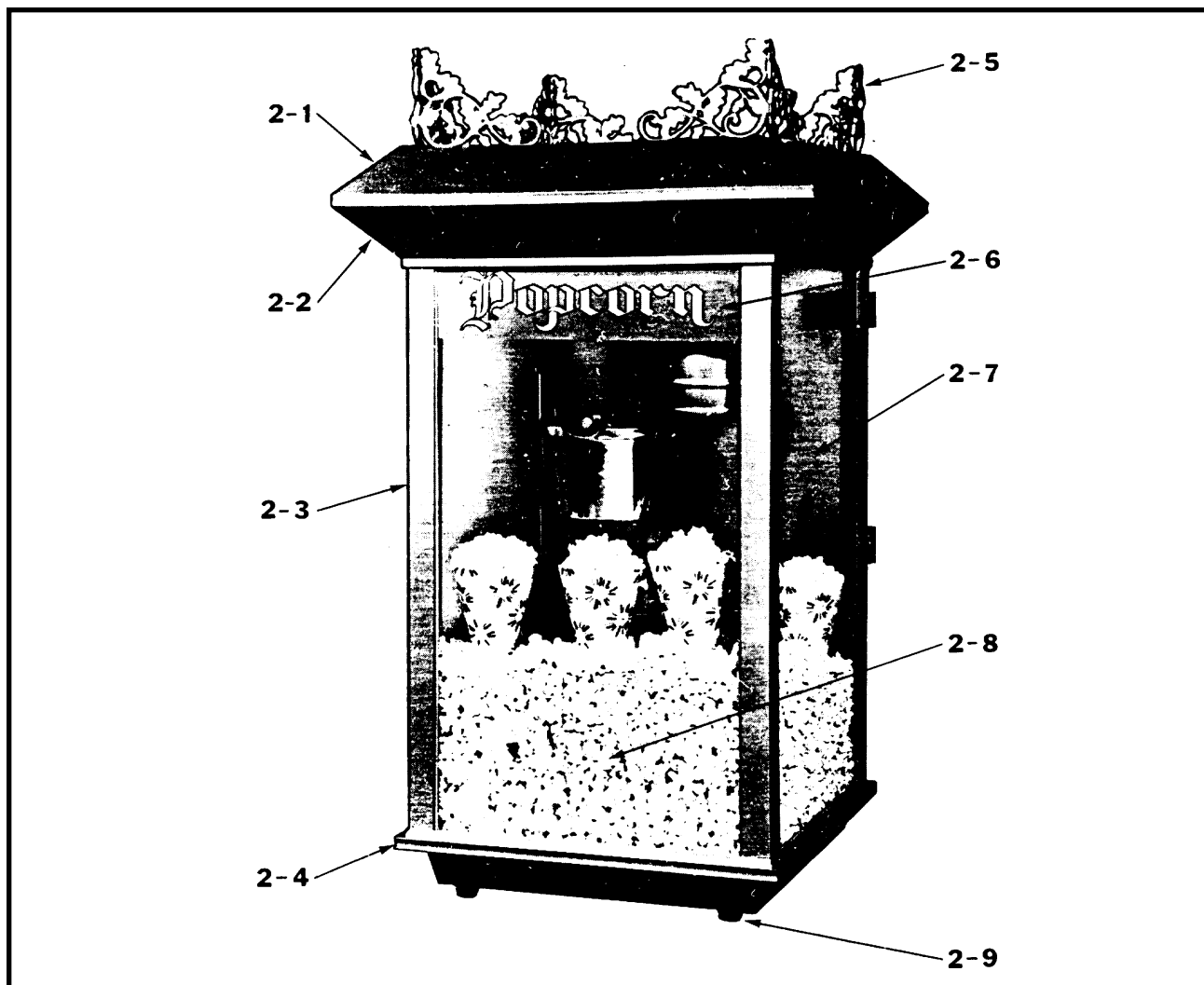
Item No.	Bronze Cabinet	Satin Cabinet	Description
1-1	77512	77638	Dome
1-2	77020	77632	Top Frame
1-3	77016	77634	Front Corner Post
1-4	77019	77633	Bottom Frame
1-5	77506	49158	Decal
1-6	77501	77501	Glass
1-7	77522	77522	Bottom Corn Pan Assembly
1-8	47328	47328	Glide Delrin Feet, (4) Required
	77502	77502	Shipping Carton
1-9	41671	41671	Heat Lamp
	49098	49098	Light Shield Angle
1-10	47262	47262	Front Hanger Arm
1-11	47263	47263	Rear Hanger Arm



PARTS LIST – FRONT VIEW

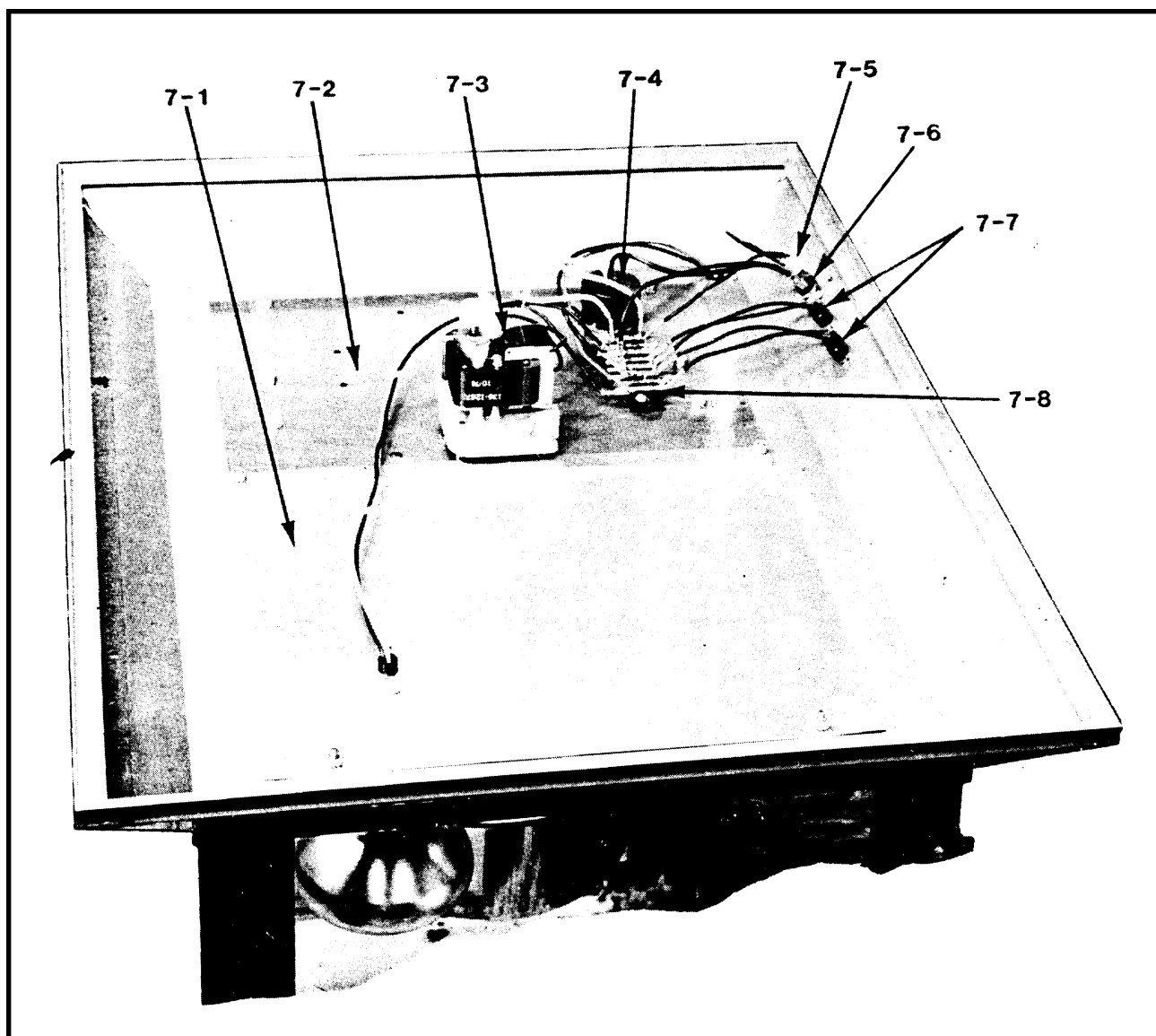
Gay 90's Model

Item No.	Part No.	Description
2-1	77546	Upper Top Frame
	77551	Top Inspection Cover
2-2	77539	Lower Top Frame
	47429	U-Clip
2-3	77543	Front Corner Post
2-4	77543	Bottom Frame
2-5	47439	Ornament Assembly
2-6	77506	Decal
2-7	77501	Glass
2-8	77522	Bottom Corn Pan Assembly
	77522	Bottom Corn Pan Assembly (Export)
2-9	47328	Glide Delrin Feet, (4) Required
	77537	Shipping Carton

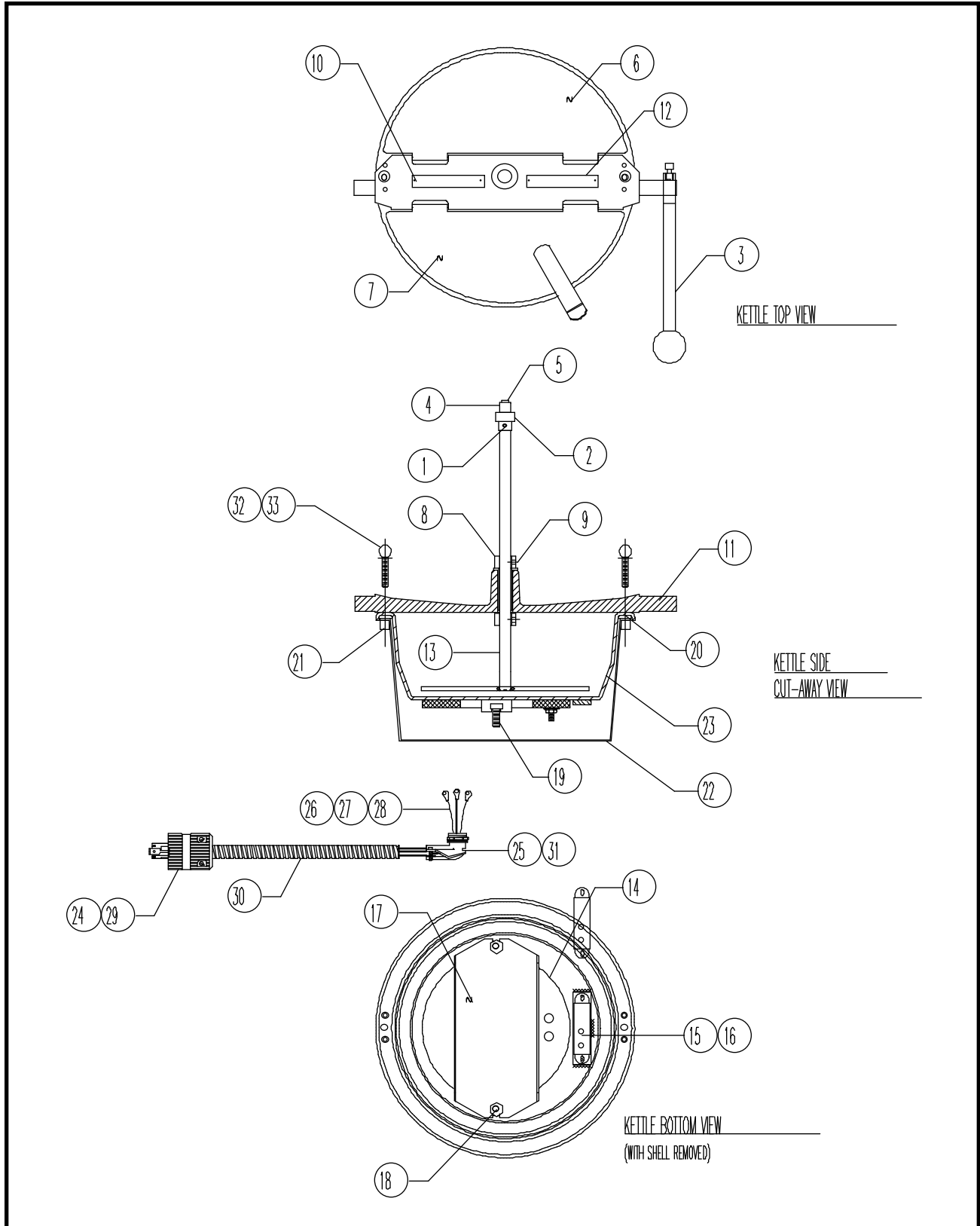


PARTS LIST – TOP VIEW

Item No.	Part No.	Description
7-1	77628	Half Roof Assembly
7-3	47057	Drive Motor
7-4	49219	Receptacle Assembly
7-5	41033	Pilot Light
7-6	47201	Switch, Kettle Heat
7-7	41672	Switch, Lights, Warmer & Motor
7-8	47208	Terminal Block
	47364	Circuit Breaker



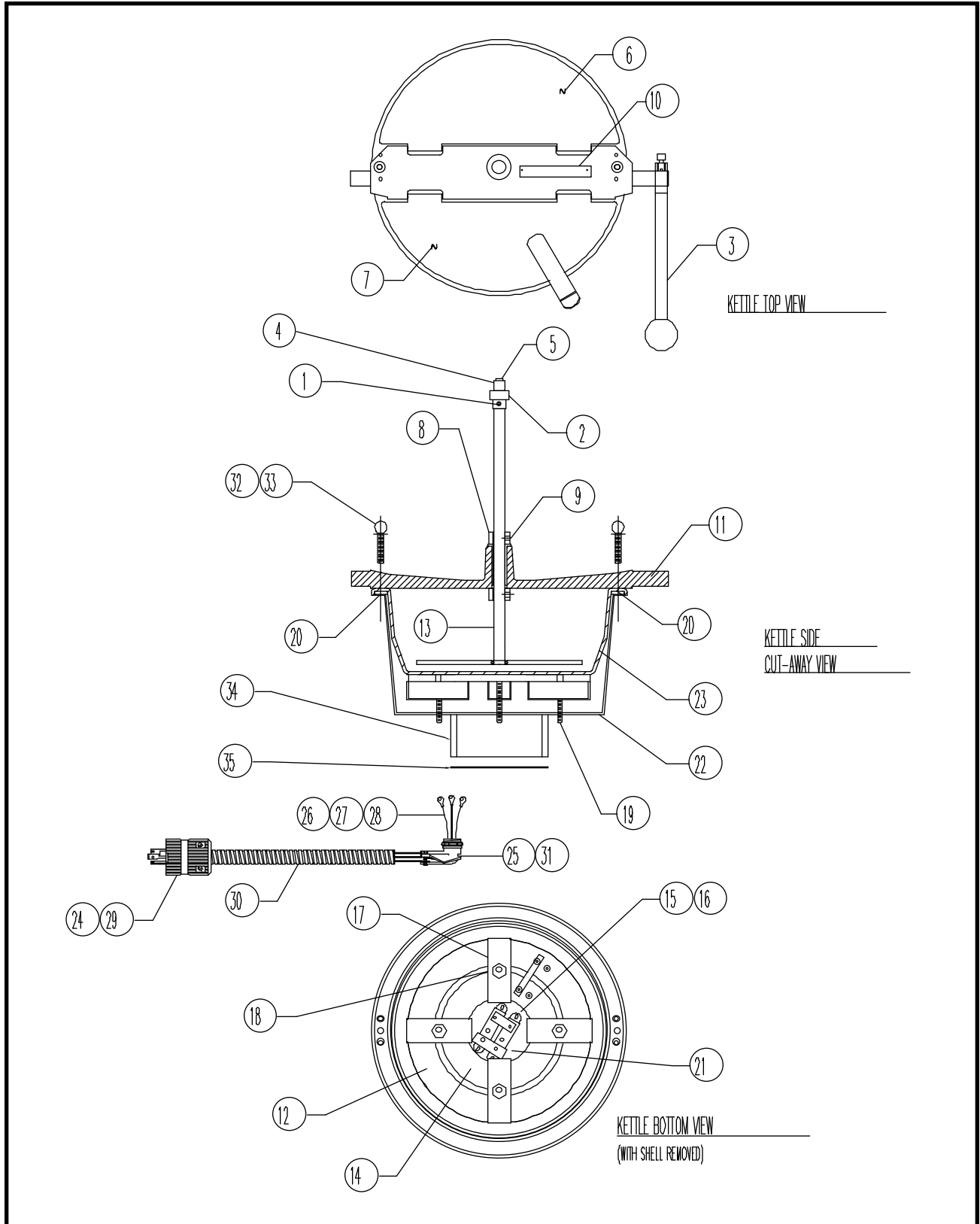
8 Oz. KETTLE ASSEMBLY



PARTS LIST – 8 Oz. KETTLE ASSEMBLY

Item No.	Part No.	Description
1	41742	Set Screw, #10-32 x $\frac{3}{16}$ "
2	47059	Spur Gear
3	47102	Dump Handle Assembly
4	47106	Needle Bearing
5	47107	C-Ring
6	47119	Rear Kettle Lid
7	47261	Front Kettle Lid w/ Lifter
8	47326	Set Collar
9	47751	Set Screw, $\frac{1}{4}$ -20 x $\frac{3}{16}$ "
10	47774	Drive Rivet
11	61025	Crossbar Assembly
12	61028	Kettle Dataplate
13	61066	Agitator Assembly Weldment
14	47081	Heat Element, 1350W
15	47676	Thermostat
16	49136	Screw, #6-32 x $\frac{3}{16}$ " Pn. Hd. Ms.
17	49310	Element Retainer Bracket
18	49317	$\frac{5}{16}$ -18 x $\frac{3}{4}$ " SQ HD
19	49446	Bolt, $\frac{5}{16}$ -18 x $\frac{3}{4}$ " SQ HD
20	61012	Kettle Gasket
21	61013	Block, Shell & Kettle
22	61017	8 Oz. Kettle Shell
23	61019	8 Oz. Kettle Weldment
24	61053	8 Oz. Kettle Lead Assembly
25	46241	90 Degree Connector
26	47708	Black Kettle Lead Wire
27	47709	White Kettle Lead Wire
28	47710	Green Kettle Lead Wire
29	47915	Plug, Twist Lock
30	82107-24	SS Flex Conduit, 24" Long
31	82135	Conduit Bushing
32	61068	Thumb Screw, $\frac{1}{4}$ -20 x 1 $\frac{1}{4}$ "
33	76079	Washer, $\frac{1}{4}$ " Internal Tooth
	47978	8 Oz. Kettle Complete
	61026	Agitator & Lid Assembly
	61027	Kettle Bottom Only

12 Oz. KETTLE ASSEMBLY

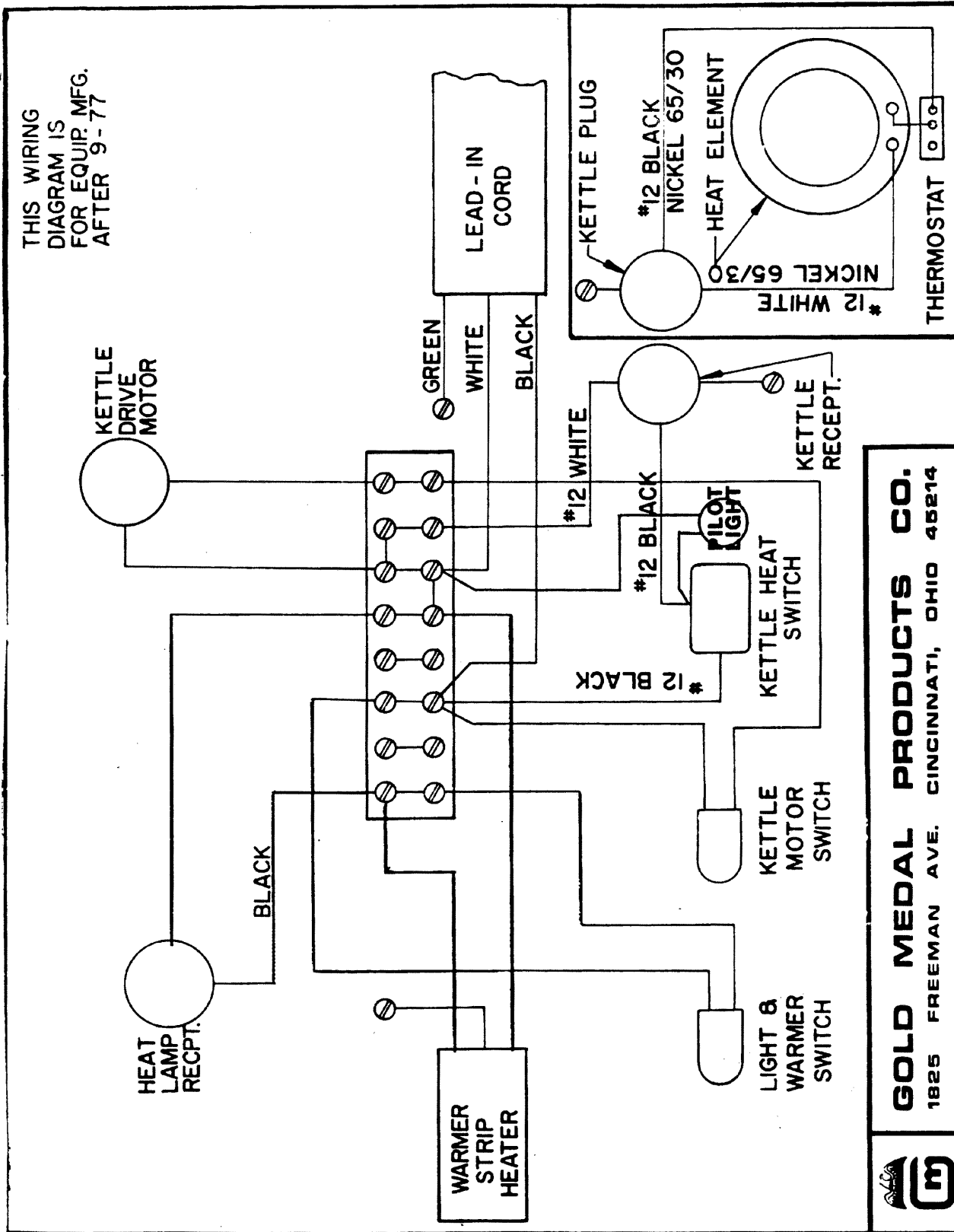


PARTS LIST – 12 Oz. KETTLE ASSEMBLY

Item No.	Part No.	Description
1	41742	Set Screw #10-32 x $\frac{3}{16}$ "
2	47059	Spur Gear
3	47102	Dump Handle Assembly
4	47106	Needle Bearing
5	47107	C Ring
6	47113	Rear Kettle Lid
7	47247	Front Kettle Lid w/ Lifter
8	47326	Set Collar
9	47751	Set Screw, $\frac{1}{4}$ -20 x $\frac{3}{16}$ "
10	47774	Drive Rivet
11	47706	Crossbar Assembly
12	47090	Heat Element, 1050W
13	47098	Agitator Assembly Weldment
14	47089	Heat Element, 660W
15	47082	Thermostat, (2)
16	47087	Thermostat Retainer
17	47085	Element Retainer Bracket, (4)
18	47053	Hex Nut, #10-24, (4)
19	47052	Set Screw, #10-24
20	47754	Kettle Gasket
21	47216	Kettle Shunt Bar
22	47375	12 Oz. Kettle Shell
23	47752	12 Oz. Kettle Weldment
24	47361	12 Oz. Kettle Lead Assembly
25	47373	90 Degree Connector
26	47708	Black Kettle Lead Wire
27	47709	White Kettle Lead Wire
28	47710	Green Kettle Lead Wire
29	47363	Plug, Twist Lock
30	82107-24	SS Flex Conduit, 24" Long
31	82135	Conduit Bushing
32	47691	Thumb Screw, $\frac{1}{4}$ -20 x 1"
33	76079	Washer, $\frac{1}{4}$ " Internal Tooth
34	47393	Junction Box
35	47394	Cover, Junction Box
	47462	12 Oz. Kettle Complete
	47703	Agitator & Lid Assembly
	47458	Kettle Bottom Only

ELECTRICAL SCHEMATIC

Models with 8 Oz. Kettles

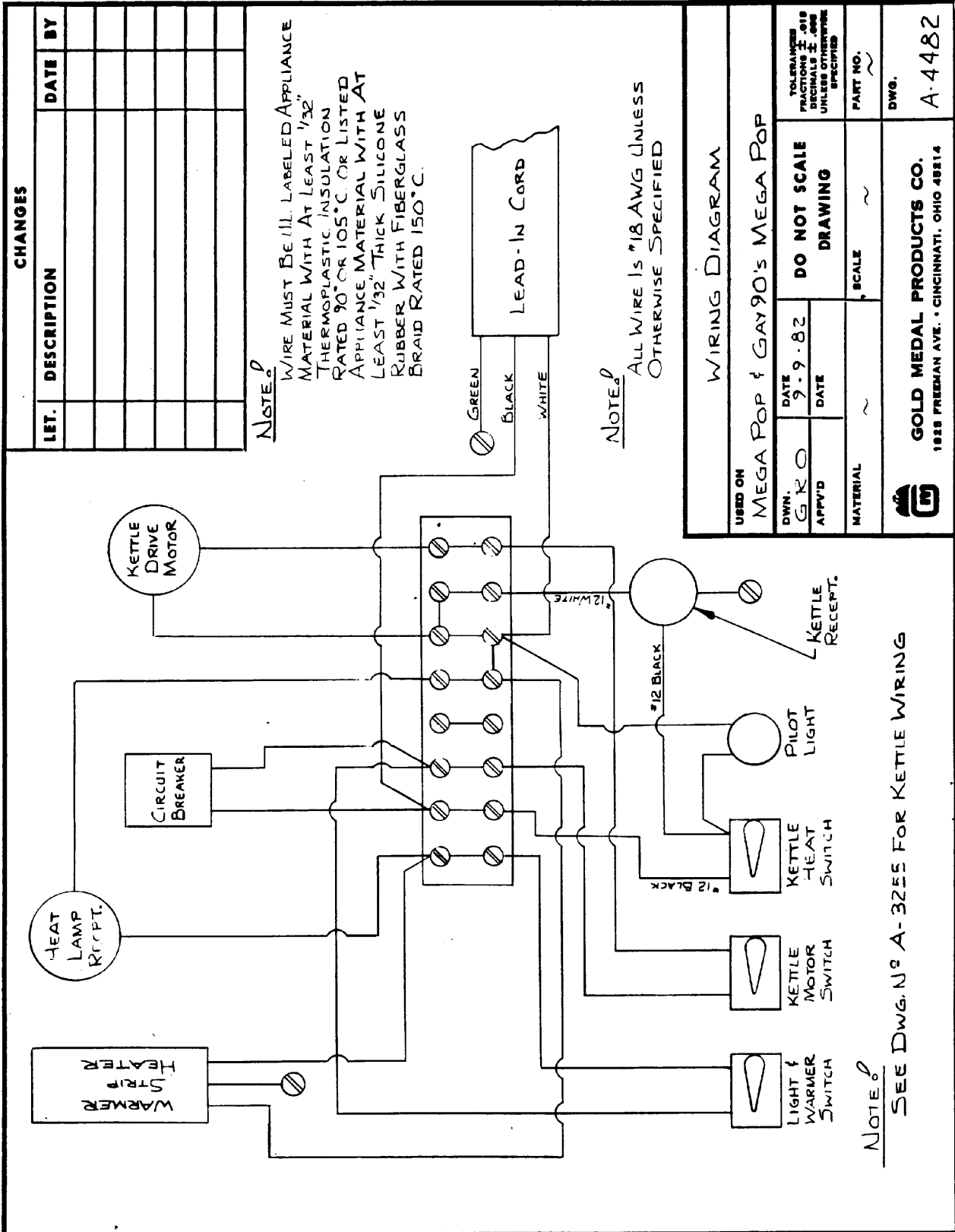


GOLD MEDAL PRODUCTS CO.
 1825 FREEMAN AVE. CINCINNATI, OHIO 45214



ELECTRICAL SCHEMATIC

Models with 12 Oz. Kettles



CHANGES

LET.	DESCRIPTION	DATE	BY

NOTE:
 WIRE MUST BE ILL. LABELED APPLIANCE MATERIAL WITH AT LEAST 1/32" THERMOPLASTIC INSULATION RATED 90° OR 105°C. OR LISTED APPLIANCE MATERIAL WITH AT LEAST 1/32" THICK SILICONE RUBBER WITH FIBERGLASS BRAID RATED 150°C.

NOTE:
 ALL WIRE IS #18 AWG UNLESS OTHERWISE SPECIFIED

WIRING DIAGRAM

USED ON
 MEGA POP & GAY90'S MEGA POP

DWN. G.R.O.	DATE 9-9-82	DO NOT SCALE DRAWING	TOLERANCES FRACTIONS ± .010 DECIMALS ± .002 UNLESS OTHERWISE SPECIFIED
APP'D	DATE		PART NO.
MATERIAL	SCALE		DWG. A-4482

GOLD MEDAL PRODUCTS CO.
 1828 FREEMAN AVE. • CINCINNATI, OHIO 45214

NOTE:
 SEE DWG. NO A-3255 FOR KETTLE WIRING

WARRANTY

WE WARRANT to the original purchaser the Gold Medal equipment sold by us to be free from defects in material or workmanship under normal use and service. Our obligation under this warranty shall be limited to the repair or replacement of any defective part for a period of six (6) months from the date of sale to the Original Purchaser with regard to labor and two (2) years with regard to parts and does not cover damage to the equipment caused by accident, alteration, improper use, voltage, abuse, or failure to follow instructions.

THIS WARRANTY IS IN LIEU OF ALL OTHER WARRANTIES EXPRESSED OR IMPLIED, AND OF ALL OTHER OBLIGATIONS OR LIABILITIES ON OUR PART, INCLUDING THE IMPLIED WARRANTY OF MERCHANTABILITY. THERE ARE NO WARRANTIES WHICH EXTEND BEYOND THE DESCRIPTION ON THE FACE HEREOF. We neither assume, nor authorize any other person to assume for us, any other obligation or liability in connection with the sale of said GOLD MEDAL equipment or any part thereof.

The term "Original Purchaser" as used in this warranty shall be deemed to mean that person, firm, association, or corporation who was billed by the GOLD MEDAL PRODUCTS COMPANY, or their authorized distributor for the equipment.

THIS WARRANTY HAS NO EFFECT AND IS VOID UNLESS THE ORIGINAL PURCHASER FIRST CALLS GOLD MEDAL PRODUCTS COMPANY AT 1-800-428-2676 TO DISCUSS WITH OUR SERVICE REPRESENTATIVE THE EQUIPMENT PROBLEM, AND, IF NECESSARY, FOR INSTRUCTIONS CONCERNING THE REPAIR OR REPLACEMENT OF PARTS.

NOTE: This equipment is manufactured and sold for commercial use only.



GOLD MEDAL PRODUCTS COMPANY
10700 Medallion Drive
Cincinnati, Ohio 45241-4807 USA