

Project Name: _____ AIA#: _____

Model #: _____ Location: _____

SIS#: _____ Item #: _____ Quantity: _____



Chefmate® by Globe Gas Countertop Hot Plate

**Performance, Quality
and Economy — what you
get with Chefmate!**



C24HT

Model

- C12HT
- C24HT (pictured)

Standard Features

- Available in 12" and 24" widths
 - 2 burners on 12" model
 - 4 burners on 24" model
- Stainless steel construction with extended cool-to-touch front edge
- Full-length stainless steel catch tray
- Heavy duty cast iron grates for maximum heat distribution
- Stainless steel legs with adjustable non-skid feet
- Adjustable pilots with front access
- High performance 25,000 BTUs per burner
- Unit ships natural gas with liquid propane gas (LP) conversion kit and regulator

Warranty

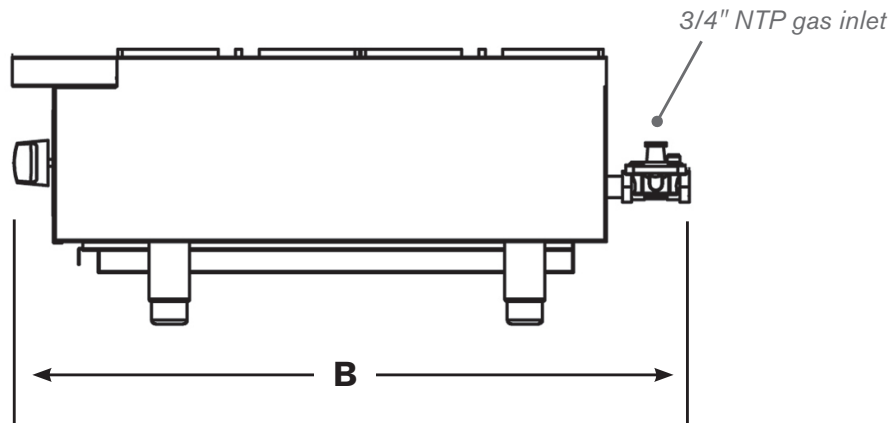
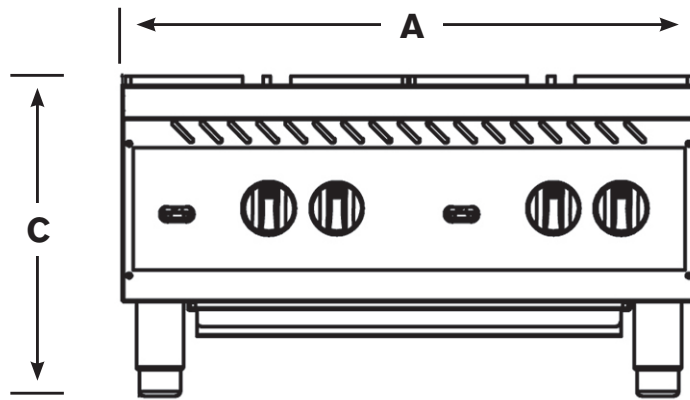
- One year parts and labor



AutoQuotes

Approved by: _____ Date: _____

2153 Dryden Rd., Dayton, OH 45439 | 937-299-5493 | 800-347-5423 | Fax: 937-299-4147 | www.globefoodequip.com



For indoor use only.

DIMENSIONS | SPECIFICATIONS | SHIPPING INFORMATION

Reinforced carton for shipping. Weight of carton included below and may vary from shipment to shipment. **Shipped on a pallet. Freight class 85.**

Model	Dimensions			Net Wt	No. Burners BTUs ea	BTUs (Total)	Shipping Dimensions			Ship Wt
	A - Width	B - Depth	C - Height				Width	Depth	Height	
C12HT	12" (30.5 cm)	30.32" (77 cm)	14.96" (38 cm)	70.1 lbs (31.8 kg)	<u>2</u> 25,000	50,000	40" (102 cm)	48" (122 cm)	21" (53.3 cm)	81 lbs (36.74 kg)
C24HT	24" (61 cm)	30.32" (77 cm)	14.96" (38 cm)	122.58 lbs (55.6 kg)	<u>4</u> 25,000	100,000	40" (102 cm)	48" (122 cm)	21" (53.3 cm)	138 lbs (62.6 kg)

GAS REQUIREMENTS AND INFORMATION

- Natural gas or LP main supply required
- Conversion of unit from natural gas to LP must be completed by an authorized Globe servicer
- 3/4" standard pipe size I.D. connection

Gas hot plate is constructed of stainless steel with cool-to-touch front edge. Unit has high performance 25,000 BTU cast iron burners with adjustable pilot lights with front access. Burner grates are heavy-duty cast iron, catch tray is stainless steel and removable. Gas connection is 3/4" N.P.T. males and a convertible pressure regulator is provided for either LP or natural gas. Hot plate is listed to NSF Standard 4 by CSA.