



a Standex company

ITEM: _____ PROJECT NAME: _____ DATE: _____

ITALIAN GLASS REFRIGERATED COUNTER DISPLAY CASE (DROP-IN)



- MODEL ITR3626
 ITR4826
 ITR6026
 ITR3634
 ITR4834
 ITR6034

**Ideal for both Bakery
& Deli Merchandising**

*Counter Not Provided

Designed for customers looking for rich, up-scale Italian styling for maximum visual appeal that will drive product sales. Cases are available in lengths of 36", 48", and 60".

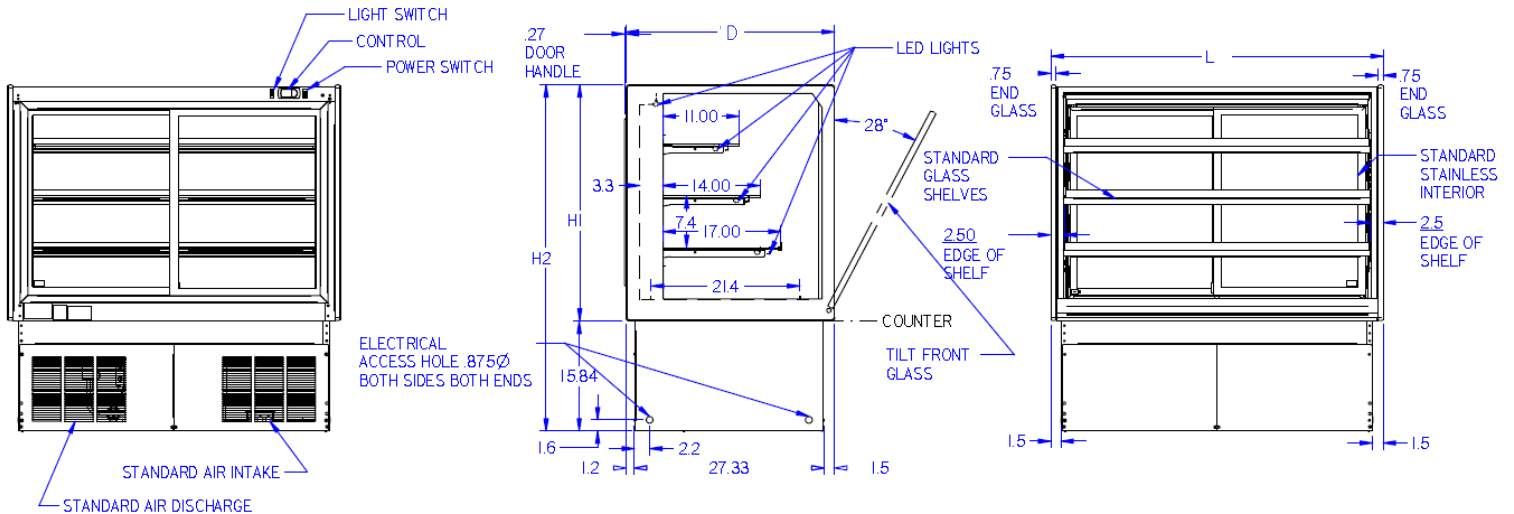
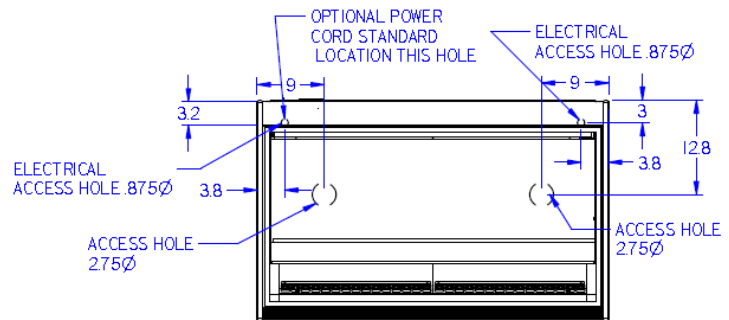
STANDARD FEATURES

- Adjustable glass shelves. Shelves are adjustable up and down and can also be tilted in two positions. 34" models have three tiers of shelves; 26" models have two tiers of shelves.
- Tempered tilt-out front glass for easy cleaning.
- Tempered glass top, ends, and doors.
- Removable sliding rear doors.
- Shielded 3500K LED top light and shelf lights.
- Proper ventilation of counter is required for proper performance
- Condensate evaporator provided for a totally self-contained system.
- Oversized coil and low-velocity fan system maintains high humidity and product freshness.
- Easily accessible light switch, power switch, and electronic temperature control.
- Average product temperature of 36 to 40 F.
- Stainless steel interior.
- UL, C-UL, and UL Sanitation Listed for Type II conditions.
- DOE 2017 compliant.

ITALIAN GLASS REFRIGERATED COUNTER DISPLAY CASE (DROP-IN)

OPTIONAL ACCESSORIES:

- Stainless Steel Shelving
- Condensate Pump
- Cord & Plug (NEMA 5-15P)
- Reflective Ends
- Remote Condensing Unit
- Reflective Rear Doors



SPECIFICATIONS:

MODEL	DIMENSIONS				SHIPPING WEIGHT	SELF CONTAINED		REMOTE		
	L	D	HI	H2		VOTAGE/AMPS	VOLTAGE/AMPS	BTU @ 20 F°		
ITR3626	36"	30"	26"	42"	400	120/60/1-	MAX FUSE 20	120/60/1-	MAX FUSE 15	3400
ITR4826	48"	30"	26"	42"	450	120/60/1-	MAX FUSE 20	120/60/1-	MAX FUSE 15	3800
ITR6026	60"	30"	26"	42"	550	120/60/1-	MAX FUSE 20	120/60/1-	MAX FUSE 15	4200
ITR3634	36"	30"	34"	50"	450	120/60/1-	MAX FUSE 20	120/60/1-	MAX FUSE 15	3400
ITR4834	48"	30"	34"	50"	530	120/60/1-	MAX FUSE 20	120/60/1-	MAX FUSE 15	3800
ITR6034	60"	30"	34"	50"	610	120/60/1-	MAX FUSE 20	120/60/1-	MAX FUSE 15	4200

- Counter must have adequate ventilation for proper case performance.
- If a GFCI circuit is required, a GFCI Breaker Must be used instead of GFCI receptacle.
- Due to continuing engineering improvements, specifications are subject to change without notice.



Look to Federal for Innovative Merchandising



The Signature of Quality

FEDERAL INDUSTRIES
A Standex Company

215 FEDERAL AVENUE, BELLEVILLE, WISCONSIN 53508-9201

PHONE: 800-356-4206

EMAIL: geninfo@federalind.com

FAX: 608-424-3234

WEBSITE: www.federalind.com

