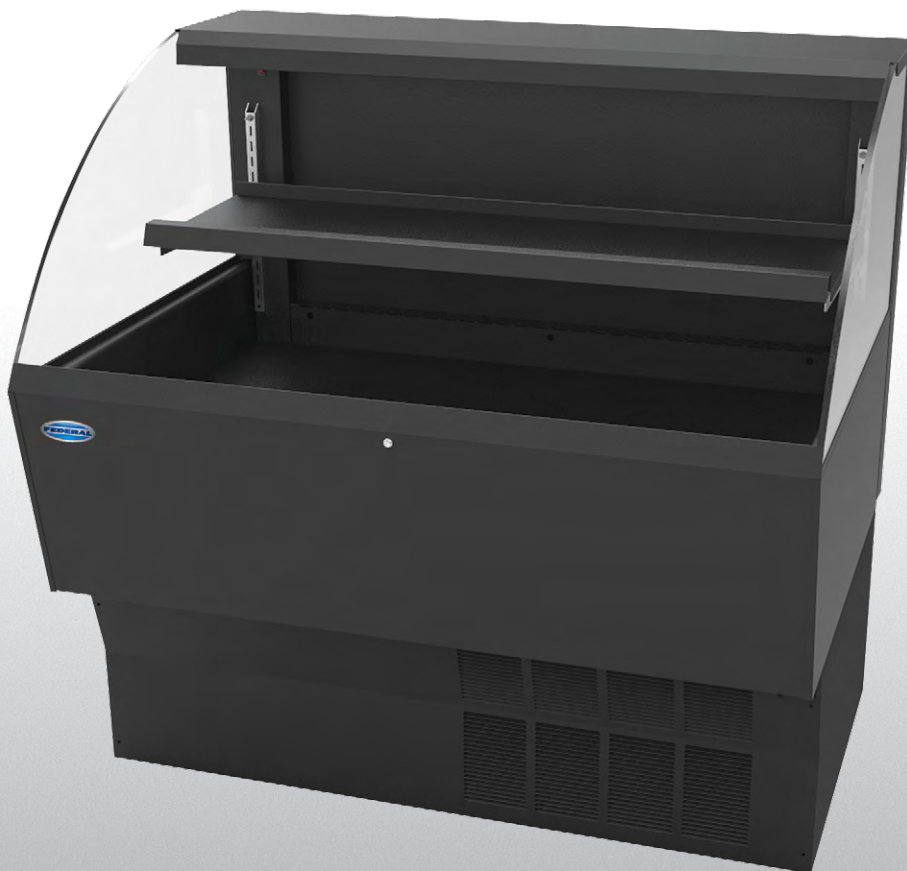


**REFRIGERATED SELF-SERVE  
LOW PROFILE  
MODEL ELPRSS-3  
ELPRSS-4  
ELPRSS-6**



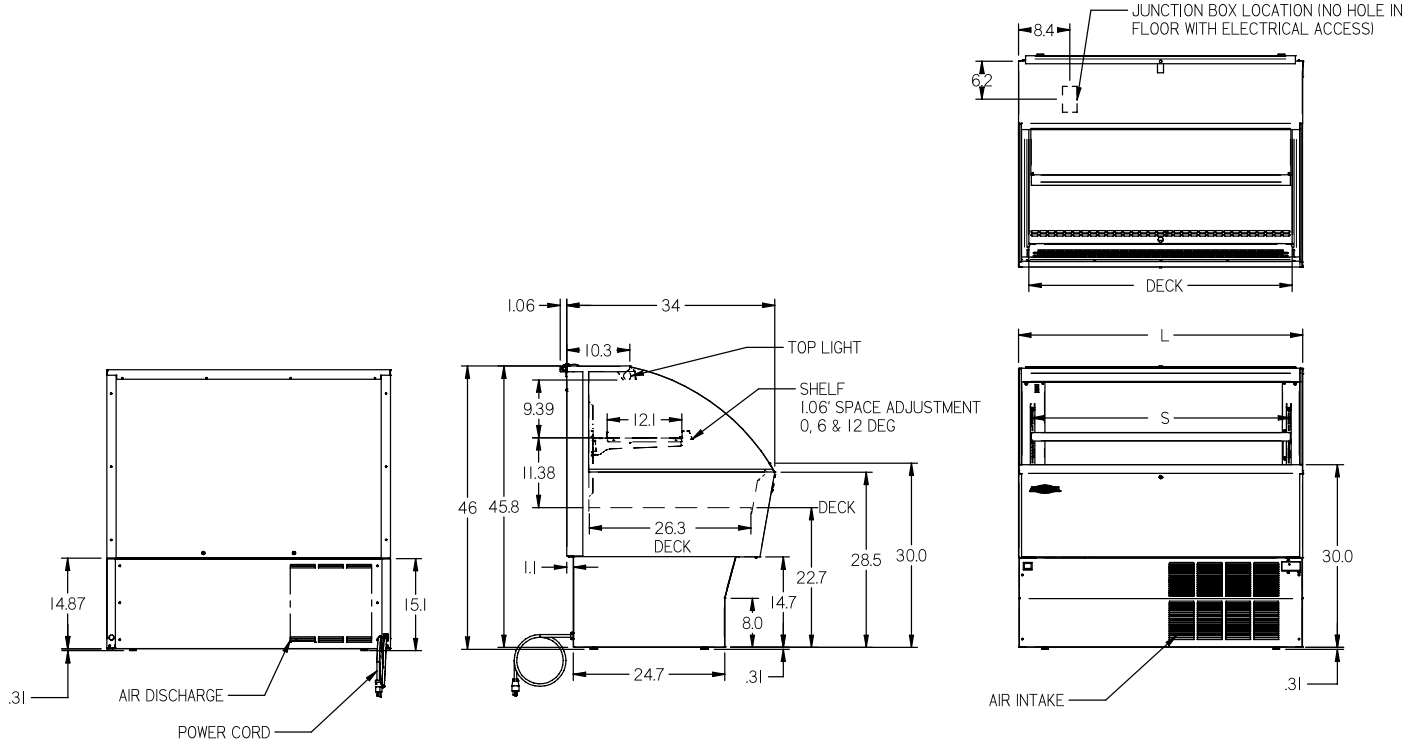
*Designed with impulse sales in mind. Get maximum return with presentation and value in mind without sacrificing performance. Available in lengths of 3', 4', and 6'.*

**STANDARD FEATURES**

- Steel base construction.
- Textured black powder coated exterior and interior. Galvanized steel back.
- One tier adjustable solid black metal shelf.
- Black steel display deck and black interior.
- Acrylic end panels.
- Horizontal top light.
- On-demand PTC condensate evaporator provided for a totally self-contained system. A condensate pump is required on the ELPRSS-6.
- Easily cleaned, rustproof, insulated evaporator coil compartment.
- Insulated with high-density foam.
- Rear access to the refrigeration system for quick easy service.
- Easily accessible light switch, power switch, and adjustable electronic control.
- Energy-saving night curtain.
- Electronic temperature control maintains 38° to 40°F with on-demand defrost.
- Thermometer provided.
- Adjustable feet.
- Cord and plug.
- R404 Refrigerant.
- UL Safety and UL Sanitation Listed.
- DOE 2012 Compliant.

# ELEMENTS™ REFRIGERATED SELF-SERVE LOW PROFILE MERCHANDISER

- Cord and Plug (NEMA 5-20P on the 3 & 4 models, NEMA 6-15P on the ELPRSS 6)



## SPECIFICATIONS:

Model	Dimensions			Shipping Weight (lbs)	Shelf Area (Square Feet)	Self-Contained with Condensate Pan
	L	W	H			
ELPRSS-3	34.6"	34"	46"	450	8	120/60/1 • 1/3 HP • 16 AMPS
ELPRSS-4	46.6"	34"	46"	525	11	120/60/1 • 1/3 HP • 16 AMPS
ELPRSS-6	70.6"	34"	46"	680	17	230/60/1 • 3/4 HP • 10 AMPS

- Case temperature will vary if the air curtain is disrupted.
- The rear of the unit needs to be 6" from a wall.
- Refrigerated cases are designed to operate in a maximum environment of 75°F ambient and 55% relative humidity.
- Due to continuing engineering improvements, specifications are subject to change without notice.
- If a GFCI circuit is required, a GFCI Breaker must be used instead of a GFCI Receptacle.



## Look to Federal for Innovative Merchandising



*The Signature of Quality*

**FEDERAL INDUSTRIES**  
A Standex Company

215 FEDERAL AVENUE, BELLEVILLE, WISCONSIN 53508-9201

PHONE: 800-356-4206

EMAIL: [geninfo@federalind.com](mailto:geninfo@federalind.com)

FAX: 608-424-3234

WEBSITE: [www.federalind.com](http://www.federalind.com)

