



a **Standex** company

ITEM: _____ PROJECT NAME: _____ DATE: _____

COUNTER TOP SIGNATURE SERIES REFRIGERATED REAR MOUNT

MODEL CRR3628

CRR4828

REFRIGERATED BOTTOM MOUNT

MODEL CRB3628

CRB4828



The Signature Series counter top merchandiser combines attractive curved glass styling and merchandising flexibility. Designed for continuous case line-ups. Cases are available in lengths of 3' and 4'.

STANDARD FEATURES

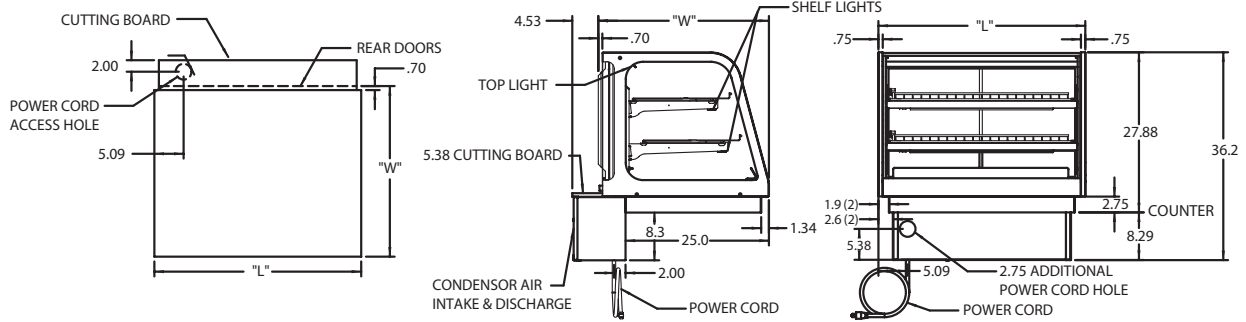
- Curved glass styling.
- Adjustable black wire shelves. Shelves are adjustable up and down and can also be tilted in two positions. Two tiers.
- Tempered thermopane front glass. Acrylic end panels.
- Shielded top light and shelf lights.
- Removable sliding rear doors, shelf lights, shelf supports, and shelves.
- Thermometer.
- Removable, scratch-resistant, rustproof black display deck.
- Condensate evaporator provided for a totally self-contained system.
- Oversized coil and low-velocity fan system maintains high humidity and product freshness.
- Easily accessible light switch and adjustable temperature control.
- Average case temperature of 38° F to 40° F is maintained.
- Black painted metal and stainless construction. Black trim.
- Designed for continuous line-ups.
- 134A Refrigerant.
- Cord and plug (NEMA 5-15P).
- Installation Flexibility
- Set directly on counter with condensing component mounted on rear (CRR Models).
- Recessed 3" in the counter with condensing component mounted underneath (CRB Models).
- UL Safety and UL Sanitation Listed.

SIGNATURE SERIES REFRIGERATED COUNTER TOP MERCHANDISER

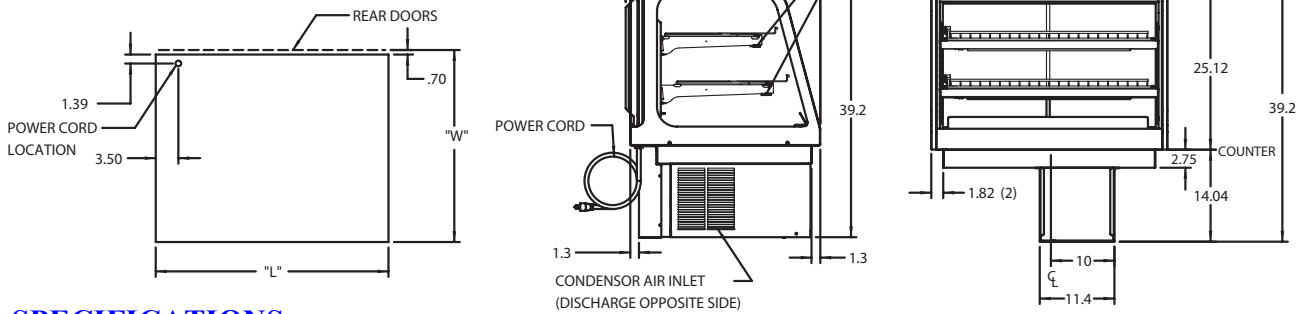
OPTIONAL ACCESSORIES:

- | | |
|--|---|
| <input type="checkbox"/> Glass Shelves | <input type="checkbox"/> Remote Refrigeration |
| <input type="checkbox"/> Reflective Ends | <input type="checkbox"/> Chocolate Package |
| <input type="checkbox"/> Reflective Rear Doors | <input type="checkbox"/> LED Lighting |

REAR MOUNT



BOTTOM MOUNT



SPECIFICATIONS:

Model	Dimensions* L W H	Shipping Weight (lbs)	Self-Contained 120/60/1	Remote 120/60/1Rear Mount
Rear Mount				
CRR3628	36.0" x 29.7" x 27.83"	430	8.1 AMPS	1.5 AMPS
CRR4828	48.0" x 29.7" x 27.83"	500	8.3 AMPS	1.5 AMPS
Bottom Mount				
CRB3628	36.0" x 29.7" x 25.12"	430	8.1 AMPS	3.6 AMPS
CRB4828	48.0" x 29.7" x 25.12"	500	8.3 AMPS	3.8 AMPS

* Height above counter.

- If a GFCI circuit is required, a GFCI Breaker Must be used instead of GFCI receptacle.
- Refrigerated cases are designed to operate in an environment of 75° ambient and 55% relative humidity.
- Due to continuing engineering improvements, specifications are subject to change without notice.



Look to Federal for Innovative Merchandising



The Signature of Quality

FEDERAL INDUSTRIES
A Standex Company

215 FEDERAL AVENUE, BELLEVILLE, WISCONSIN 53508-9201

PHONE: 800-356-4206

EMAIL: geninfo@federalind.com

FAX: 608-424-3234

WEBSITE: www.federalind.com

