



a Standex company

ITEM: _____ PROJECT NAME: _____ DATE: _____

SERIES '90 SELF-SERVE NON- REFRIG. BAKERY CASE

MODEL SN-48-SS
 SN-59-SS
 SN-77-SS



Series '90. The ultimate merchandiser with advanced styling for maximum visual appeal. Cases are available in lengths of 48", 59", and 77". Designed for continuous line-ups.

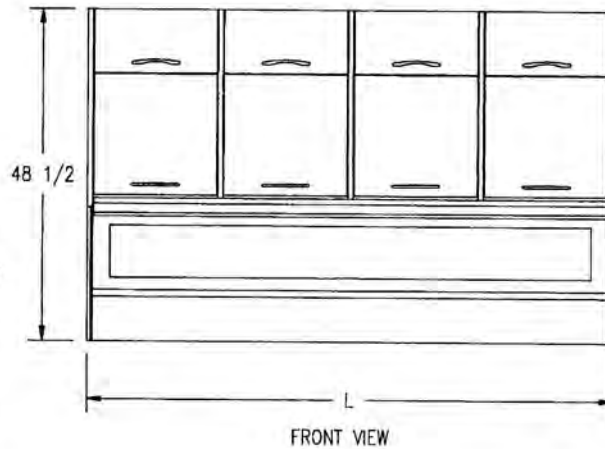
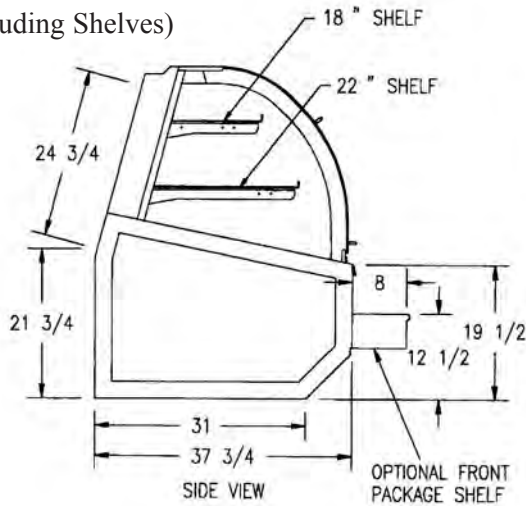
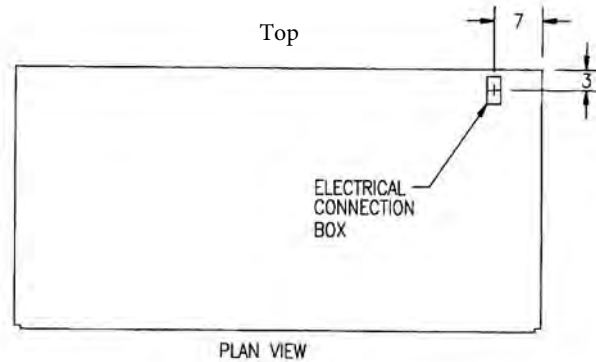
STANDARD FEATURES

- Two tiers of adjustable white cantilevered wire shelves. Shelves are adjustable up and down and can also be tilted.
- Acrylic lift-up self-closing front doors. The 48" has two sets of doors, 59" has three sets, and the 77" has four sets of doors.
- Vent system to reduce heat build-up from the lights.
- Removable sliding rear doors, shelf lights, shelf supports, and shelves.
- Acrylic ends and glass rear doors. Rear doors are sloped for product access.
- Fluorescent top light and shelf lights. Lights are shielded and independently wired.
- All-welded base construction with a choice of six standard laminates on base. Other color laminates optional.
- Easily accessible control panel with main power, auxiliary fan, and light control.
- White display deck.
- Four point leveling system.
- UL Safety and UL Sanitation Listed.

SERIES '90 SELF-SERVE NON-REFRIGERATED BAKERY CASE

OPTIONAL ACCESSORIES:

- | | |
|--|---|
| <input type="checkbox"/> Special Base Finish | <input type="checkbox"/> Cord and Plug (NEMA 5-15P) |
| <input type="checkbox"/> Package Shelf w/Bag Holder and Tissue Dispenser | <input type="checkbox"/> Rear Wrapping Board |
| <input type="checkbox"/> Light Below Package Shelf | <input type="checkbox"/> Casters (Cord and Plug Included) |
| <input type="checkbox"/> Glass Shelves | <input type="checkbox"/> Black Wire Shelves |
| <input type="checkbox"/> Mirrored Ends | <input type="checkbox"/> Legs |
| <input type="checkbox"/> Reflective Rear Doors | |
| <input type="checkbox"/> Special Trim | |
| <input type="checkbox"/> Black Interior (Including Shelves) | |



SPECIFICATIONS:

Model	Dimensions			Shipping Weight (lbs)	Capacity (Bakery Pans)	Power 120/60/1
	L	W	H			
SN-48-SS	48 1/4"	37 3/4"	48 1/2"	750	2 (18" x 26") 8 (12" x 18") 1 (9" x 26")	2 AMPS
SN-59-SS	59 1/4"	37 3/4"	48 1/2"	775	7 (18" x 26")	2 AMPS
SN-77-SS	77 1/4"	37 3/4"	48 1/2"	1,050	4 (18" x 26") 12 (12" x 18")	2 AMPS

- If a GFCI circuit is required, a GFCI Breaker Must be used instead of GFCI receptacle.
- Due to continuing engineering improvements, specifications are subject to change without notice.



Look to Federal for Innovative Merchandising



The Signature of Quality

FEDERAL INDUSTRIES
A Standex Company

215 FEDERAL AVENUE, BELLEVILLE, WISCONSIN 53508-9201

PHONE: 800-356-4206

EMAIL: geninfo@federalind.com

FAX: 608-424-3234

WEBSITE: www.federalind.com

