



a Standex company

ITEM: _____ PROJECT NAME: _____ DATE: _____

SERIES '90 SELF-SERVE REFRIGERATED BAKERY OR DELI CASE

MODEL SN-4CD-SS
 SN-6CD-SS
 SN-8CD-SS



Series '90. The ultimate merchandiser with advanced styling for maximum visual appeal. Cases are available in lengths of 4', 6', and 8'. Designed for continuous case line-ups.

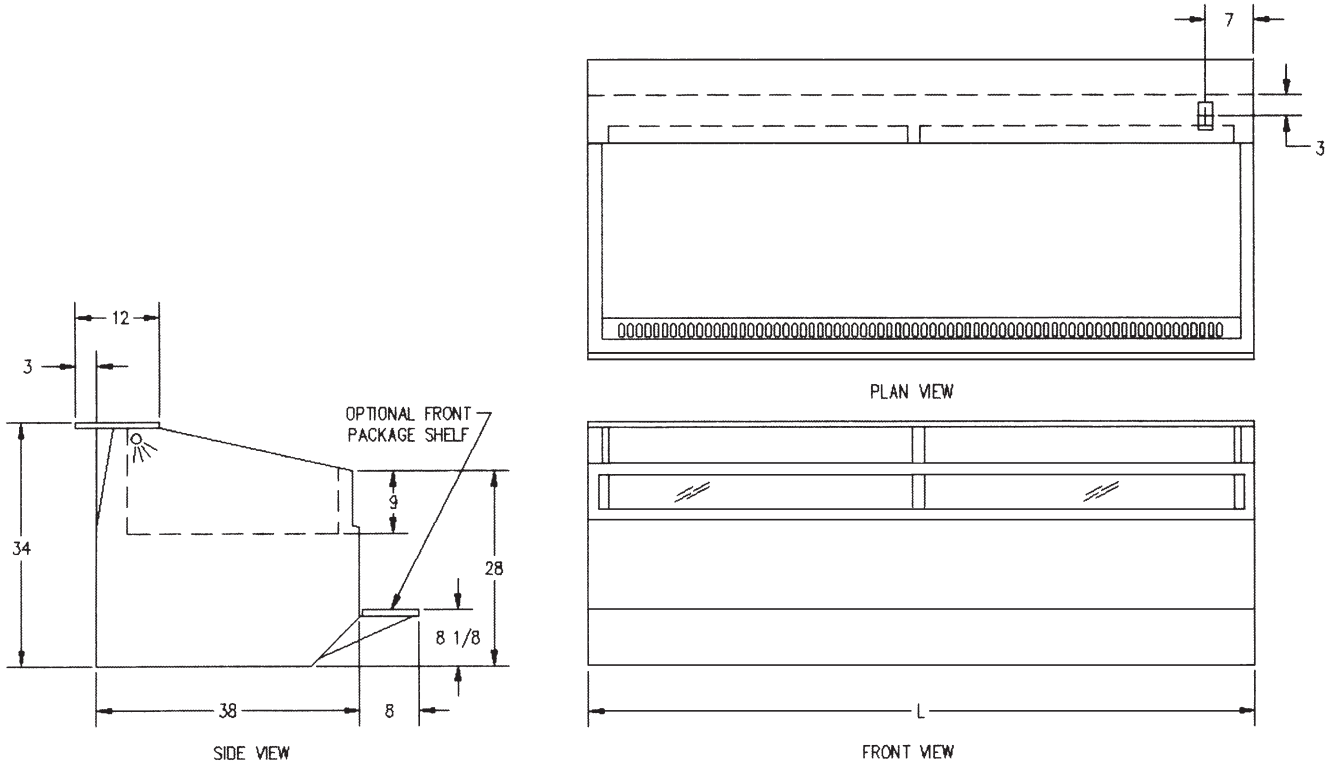
STANDARD FEATURES

- All-welded base construction with a choice of six standard laminates on base. Other finishes optional.
- Base trim: Specify white, black, or stainless.
- White display deck.
- White rear wrapping board.
- Four-point leveling system.
- Octron rear top lights. Lights are shielded.
- Easily accessible control panel with main power switch, light switch, digital thermometer, and adjustable temperature control.
- Pull-out condensing unit for quick and easy service.
- Energy-saving night curtain.
- Condensate pump.
- Average case temperature of 36° to 38°F is maintained.
- R134A Refrigerant.
- UL Safety and UL Sanitation Listed.

SERIES '90 SELF-SERVE REFRIGERATED BAKERY OR DELI CASE

OPTIONAL ACCESSORIES:

- Special Base Finish
- Base Trim Specify White, Black, or Stainless
- Black or Stainless Steel Interior
- Black Rear Wrapping Board
- LED or Promolux Lighting
- Casters or Legs
- Cord and Plug (Six Foot)
- Front Package Shelf With or Without Light Below
- Fish Case Package (Includes Ice Pan and Drain)
- Step Pan Holder or Riser
- Remote Refrigeration
- Condensate Evaporator Assembly (Field Install, Dedicated Circuit)



SPECIFICATIONS:

Model	Dimensions L W H	Shipping Weight (lbs)	Capacity (Step Pans)	*Self-Contained 120/60/1	Remote 120/60/1
<input type="checkbox"/> SN-4CD-SS	48 1/4" x 41" x 34"	610	3	1/2 HP • 12 AMPS	17 AMPS
<input type="checkbox"/> SN-6CD-SS	72 1/4" x 41" x 34"	930	5	3/4 HP • 16 AMPS	17 AMPS
<input type="checkbox"/> SN-8CD-SS	96 1/2" x 41" x 34"	1,065	7	3/4 HP • 16 AMPS	17 AMPS

*A separate 120/60/1 15 AMP circuit is required for condensate evaporator.

- Cases are designed to operate in a maximum environment of 75° ambient and 55% relative humidity.
- Due to continuing engineering improvements, specifications are subject to change without notice.



The Signature of Quality

FEDERAL INDUSTRIES
A Standex Company

215 FEDERAL AVENUE, BELLEVILLE, WISCONSIN 53508-9201

PHONE: 800-356-4206

EMAIL: geninfo@federalind.com

FAX: 608-424-3234

WEBSITE: www.federalind.com

