



Ovens

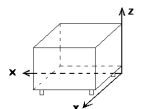
ADVANCE ovens

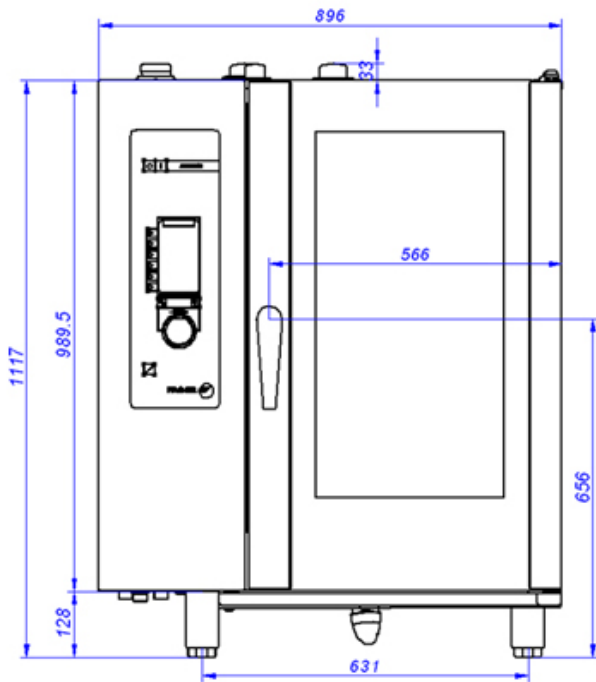
GAS ADVANCE OVEN, AG-101

19010041

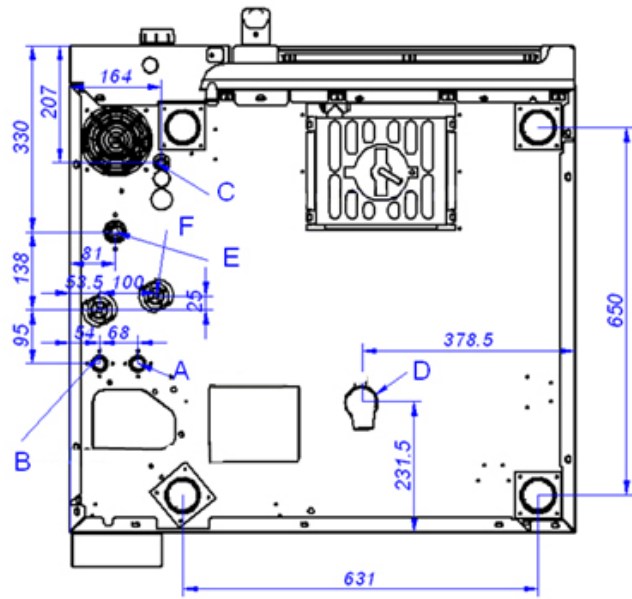
<u>DIMENSIONS</u>		<u>Article</u>	<u>Packed</u>	GAS ADVANCE OVEN, AG-101
Length	mm	898,00	1.100,00	High quality, fast cooking : - Professional quality - Easy to use and efficient - Perfect results - Affordable Capacity for 10 1/1-GN trays. Stainless steel burner with electronic control system with sparking plug ignition. Frequency modulation for the convection burner. Push-button and "Scrolling" controls. 5 cooking methods: Steam, Low-temperature steam, Regeneration, Combination and Convection (up to 300°C). Preheating option. Overnight cooking or low-temperature programme. 3 Speeds - 2 power ranges. Cold-Down chamber cooling system. "Auto-reverse" system to reverse fan rotation. Electronic temperature probe. Steam generator equipped with limescale detector. Steam generator automatically empties every 24 hours of cooking. Semi-automatic limescale removal system. Error detection system. "Repair service" mode system. IPX-5 protection. Retractable shower. Electrical connection: 230 V - 1+N - 0,6 KW. Gas heating capacity: 34,400 Kcal/h. (40 kW). Dimensions: 896 x 922 x 1,117 mm. Optional elements: - Structure for trays EB-101 - Structure for dishes EP-101 - Trolley for structure CP-101 - Supports SH-101
Depth	mm	922,00	1.100,00	
Height	mm	1.117,00	1.270,00	
Weigth	Kg	169,00	224,00	
Volumen	m3	0,92	1,54	
<u>ELECTRICITY</u>				
<u>Electric power</u>		KW	1,00	
230V -1+N			2x1,5+T - 10 A	
230V - III				
400V - III+N				
<u>PLUMBING - WATER</u>				
Water consumption (lit/h)			30,00	
Pressure (Kg/cm2)			0,5 - 8	
<u>GAS</u>				
Power		KW	18,00	
		Kcal/h	15.480,00	
LPG	Consumption (kg/h)		3,28	
	Pressure (g/cm2)		37,00	
Natural Gas	Consumption (m3/h)		4,24	
	Pressure (g/cm2)		18,00	
<u>STEAM</u>			Not used	
<u>AIR</u>			Not used	
<u>LEVEL SOUND</u>		(dB)	62,00	
<u>Certificate EQNET- CE</u>			99BL580	

Connections points	X	Y	Z	Diameter	Information
ELECTRICITY	732	715	110		Prever Interruptor diferencial
COLD WATER	774	359	110	3/4"	Prever llave de corte en la toma
SOFT COLD WATER	842	359	110	3/4"	Prever llave de corte en la toma
DRAIN	379	292	110	1"	
EXHAUST	593	326	1.117	150	
GAS	815	592	110	R.3/4"G	Prever regulador y llave de corte individual

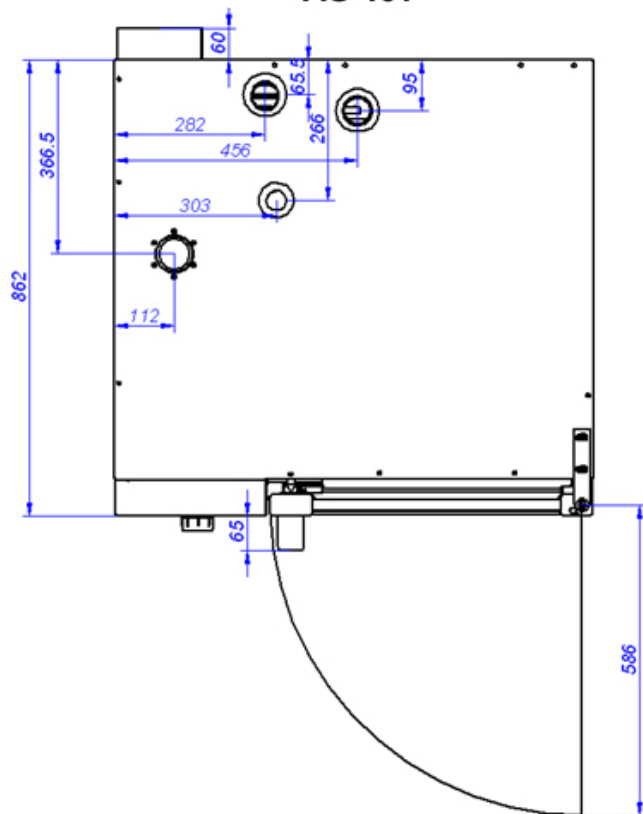




AG-101



VISTA DE LA BASE DESDE LA PARTE INFERIOR
VIEW FROM THE BOTTOM OF THE MACHINE



A: Entrada de agua blanda
B: Entrada de agua dura
D: Desagüe

C: Alimentación eléctrica

E: Entrada de gas

F: Entrada de aire

A: Soft water inlet

B: Water inlet

D: Drain

C: Electrical connection

E: Gas inlet

F: Air