



MANUAL SALAD SPINNER E20

Ref : E002

SALAD SPINNER SERIES



Description

- Certified to NSF / ANSI 2-2009: North American Health standard certifying that the product meets strict requirements of quality and safety.
- Fast and efficient, it respects the product's fragility.
- Heavy duty construction for an intensive daily use. 100% watertight to avoid the water effusion.
- Outside container, top and inner basket in Polypropylene (Food-safe plastic).
- Aluminum handle.
- Antibacterial incorporated (biocide treated), complies with the HACCP requirements.



Accessories



Set of gears



Stabilising base
Base with the suction pads. For increased stability.

TOTAL HEIGHT	500 mm / 19.7"
DIAMETER	430 mm / 16.9"
ACTUAL WEIGHT	3,6 kg / 7.9 lbs

Use

Indispensable to prepare high volume of salads (3 - 5 lettuce heads)

IMPORTANT : when turning the handle, start off slowly.
Never stop the unit from spinning by grabbing the handle.

Capacity : 20 L. / 5 gal.

Maintenance

To clean, simply remove the top and inner basket from the outside container. Wash all three components thoroughly with a mild liquid soap.

Rinse with hot water as to remove all soap residues.

Do not put in the dishwasher.

Dynamic
518 rue Léo Baekeland
BP57 - 85290 Mortagne sur Sèvre
Tel : +33 (0)2 51 63 02 72
Fax : +33 (0)2 51 63 02 73
E-mail : contact@dynamicmixers.com

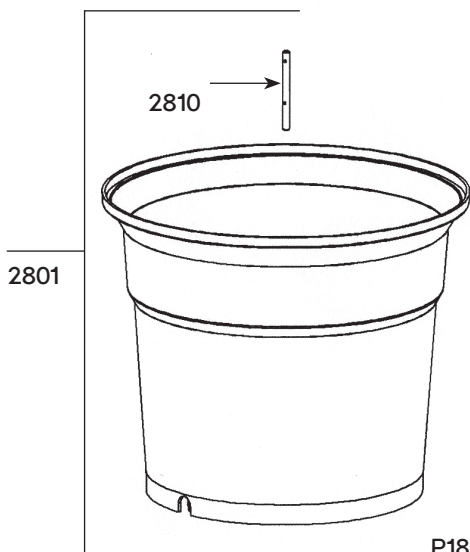
www.dynamicmixers.com

TECHNICAL SHEET

Parts list E 20

Code

Outside basket	2801
Inside basket	P2802
Complete cover	2803
Cover w/ o small cover, handle & gear	2804
Small cover (w/ o handle & drive gear)	2805
Perforated drive gear + pin	2806
Large gear	2807
Small gear	2808
Handle only	2809
Axle for outside basket	2810
Pin	2811
Small cover with handle & gear	2812
Axle for drive & small gear	2813
Axle	2814
Set of gears (2806, 2807, 2808, 2811)	2815.1
Handle screws (4)	9014
Orange plastic nuts (4)	9014.P
Stainless steel pins (M4x25) (4)	9014.G



holder only

