



SMOKE SERIES

SMOKERS

NU-VU Smokers can deliver great results with ease of use and dependable quality that you can count on. These units provide a method of cooking foods that are flavorful and appealing. Not only offering the capability to dry bake, but to bake with moisture, slo-cook, hold and also smoke. Nothing like the aroma or taste of real, wood-smoked foods to increase sales. The taste is outstanding and the flavor is genuine.



SMOKE6

SMOKE13

STANDARD FEATURES

- Solid state controls
- Indicator light for thermostat
- Temperature up to 350 °F
- 24 hour timer
- Separate controls for smoke, humidity and heat
- Stainless steel construction
- 6" legs (SMOKE6)
- Casters (SMOKE13)
- Includes wire racks
- Left or right hinged (please specify upon ordering)
- Bottom drip-safe pan for ease of cleaning in all models
- Two year parts and one year labor warranty

OPTIONS

- Additional wire racks
- Casters (SMOKE6)
- Set of 6" legs (SMOKE13)
- External smoke box
- Water softener
- Cart on swivel casters with panslides (Smoke6)
- Cart on swivel casters without panslides (Smoke6)
- Stand with panslides (Smoke6)
- Stand without panslides (Smoke6)

Experience our top-of-the-line smokers today!



5600 13th Street • Menominee, MI 49858 USA

Phone: 906-863-4401 E-mail: sales@nu-vu.com
 Toll Free: 1-800-338-9886 www.doyon.qc.ca
 Fax: 906-863-5889 www.nu-vu.com

OVERALL DIMENSIONS

SMOKE6

27 3/8" W X 36 1/4" D X 48 7/8" H
(696 mm X 975 mm X 1310 mm)

SMOKE13

27 3/8" W X 36 1/4" D X 78" H
(696 mm X 975 mm X 1981 mm)

Shelf spacing: 3 1/2" (89 mm)

ELECTRICAL SYSTEM

SMOKE6

1 Phase:

208V - 13.5 A - 2.5 kW - 60 Hz - 2 wires + ground

240V - 12 A - 2.5 kW - 60 Hz - 2 wires + ground

Other voltages available

SMOKE13

1 Phase:

208V - 23 A - 4.5 kW - 60 Hz - 2 wires + ground

240V - 12 A - 2.5 kW - 60 Hz - 2 wires + ground

Other voltages available

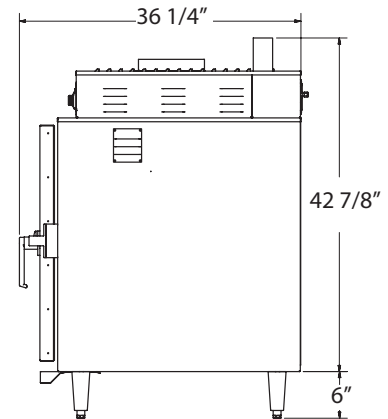
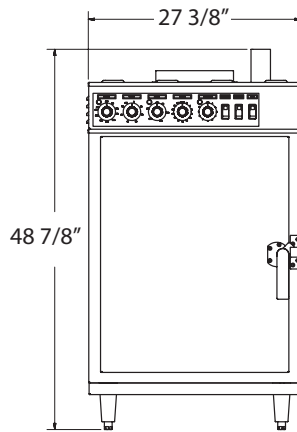
FINISH: Stainless steel

WATER INLET: 1/4 NPT

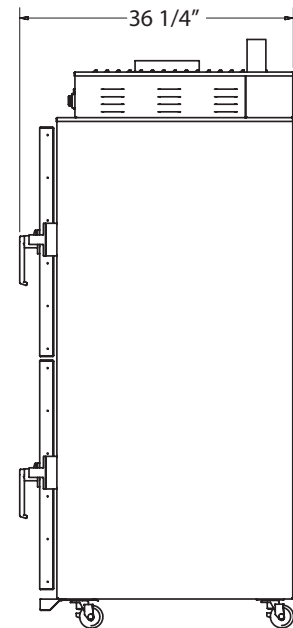
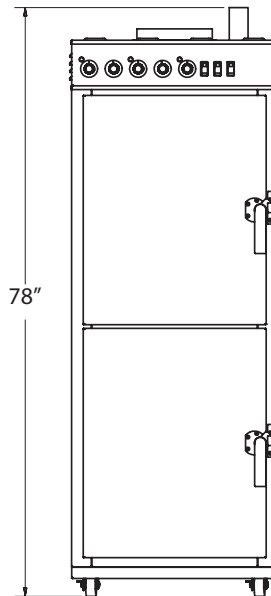
SHIPPING WEIGHT

SMOKE6: 400 lb (181 kg) approximately

SMOKE13: 600 lb (272 kg) approximately



SMOKE6



SMOKE13

Electrical service connection and water inlet are located at the back of the unit.
Specifications and design are subject to change without notice.



5600 13th Street • Menominee, MI 49858 USA

Phone: 906-863-4401 E-mail: sales@nu-vu.com

Toll free: 1-800-338-9886 www.doyon.qc.ca

Fax: 906-863-5889 www.nu-vu.com