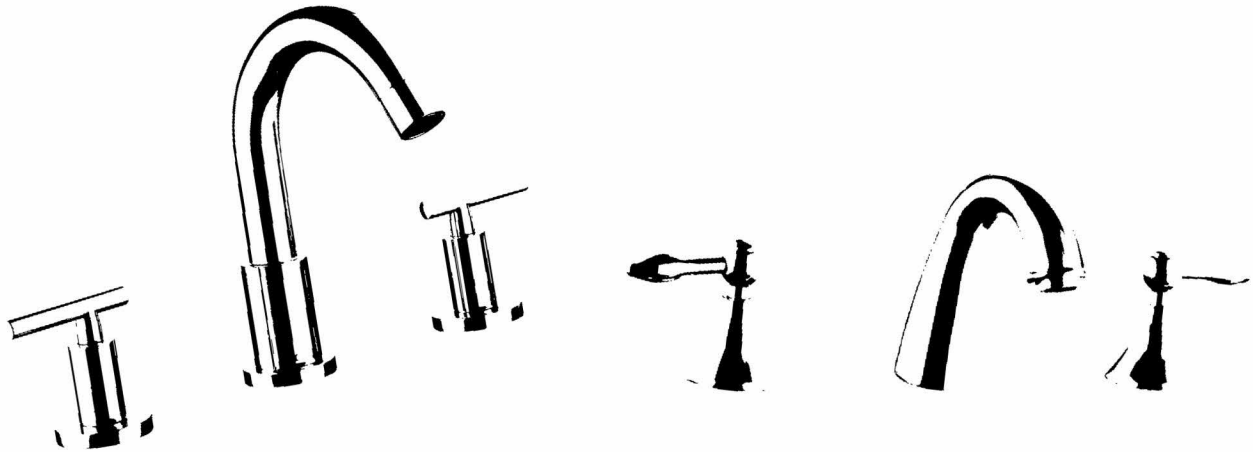


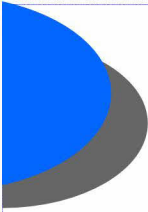
INSTALLATION INSTRUCTIONS 3-HOLE LAVATORY FAUCETS



These instructions are for installing *Dawn.* 3-hole lavatory faucets.
Please read all instructions carefully before starting the installation.

TABLE OF CONTENTS

Preparation	2
Materials & Tools	2
Parts	3
Installation	4
Care and Cleaning	7
Warranty	8
Return Policy	8
Asking for Assistance	8



**3-HOLE LAVATORY FAUCETS
INSTALLATION INSTRUCTIONS**

PREPARATION

● **Before You Begin**

Before installing any Dawn product in your new or remodeled kitchen, you should make sure that you are in compliance with all local plumbing codes.

● **Check The Accessory Items**

Before installation, please check the condition of the product and, if appropriate, its components. If there is any problem with the product and/or its components, please contact the store you purchased it from for a replacement. As soon as you have inspected your product, please return it to its original packaging until you are ready to install it.

● **Handle With Care**

To protect its finish and avoid damage before and after installation, please handle the product with care. For care and cleaning tips after installation, please refer to the *Care and Cleaning Guide* in this instruction guide.

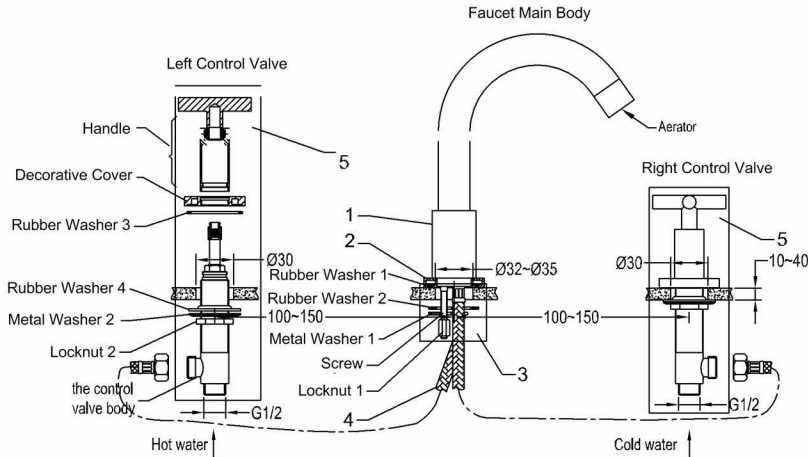
MATERIALS & TOOLS

Assorted Screwdrivers
Adjustable Wrenches
Pencil
Masking Tape
Thread Sealant
Plumber Putty
Other Tools as Needed

**3-HOLE LAVATORY FAUCETS
INSTALLATION INSTRUCTIONS**

PARTS

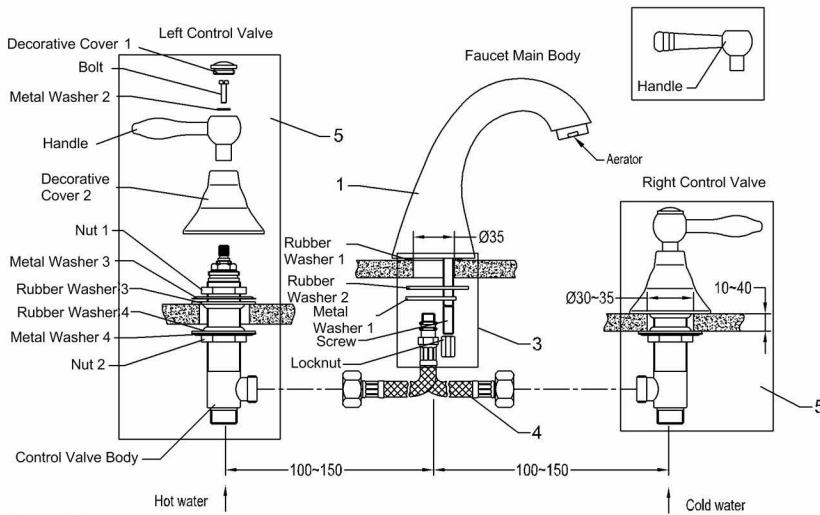
Structure A



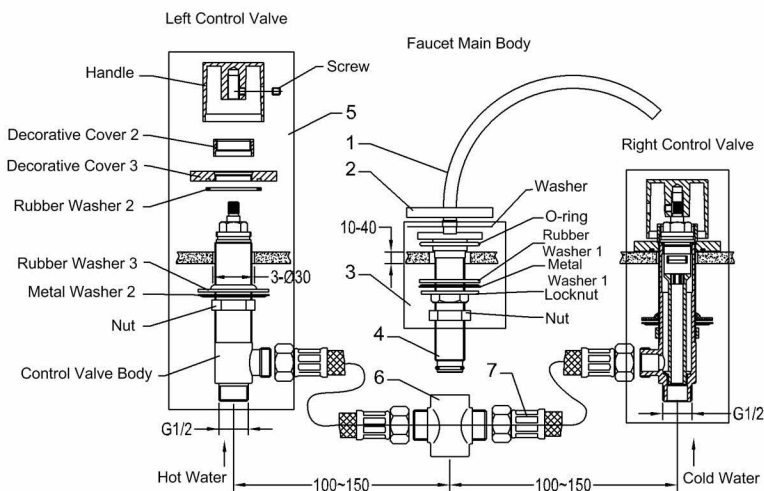
Structure A & B	
Item	Qty
1: Main Body	1
2: Seat	1
3: Mounting Set	1
4: Water Supply Hose	2
5: Control Valve	2

Structure B

Measurement Unit: mm (1 inch = 25.4 mm)



Structure C



Structure C	
Item	Qty
1: Spout	1
2: Decorative Cover 1	1
3: Mounting Set	1
4: Pipe	1
5: Control Valve	2
6: Tee	1
7: Water Supply Hose	2

*Drawings are for reference only. Please refer to actual product for exact size, shape and parts.
*Dawn reserves the right to make revisions in the design of faucets without notice.

**3-HOLE LAVATORY FAUCETS
INSTALLATION INSTRUCTIONS**

INSTALLATION

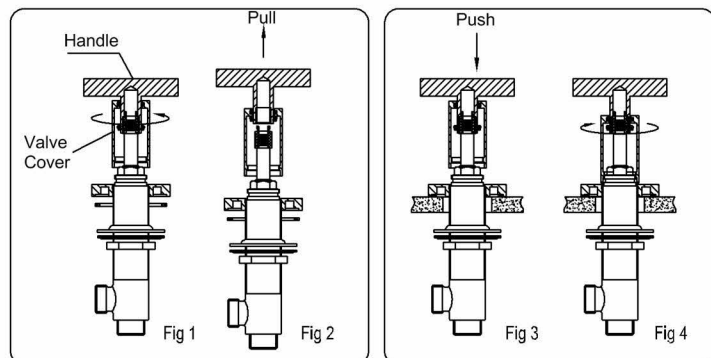
IMPORTANT: Recommended for professional installers only. The installer maintains responsibility for installing the product safely.

Note:

- The faucet main body is already assembled; please do not disassemble it.
- Thoroughly clean the inside of all pipes with a soft cloth before installation.
- Check for leakage after installation.
- The water pressure should be 140-860 kPa (20-140 lbs.) and the temperature should be 41-160°F (5-71°C).
- When facing the faucet, the hot water supply should be connected to the left shank and the cold water supply should be connected to the right shank.

INSTALLATION INSTRUCTIONS FOR STRUCTURE A

1. Check the thickness of the faucet deck and the size of the faucet holes before installation to make sure the faucet will fit properly.
2. Turn off hot and cold water supplies.
3. Install the faucet main body:
 - a) Connect the screw and water supply hoses (one for hot water and the other for cold water) to the faucet main body. Slide the seat and rubber washer 1 onto the faucet main body.
 - b) Put the water supply hoses through the faucet hole to let the faucet main body stand on the faucet deck. From under the faucet hole, slide the metal washer over the hoses and screw and slightly screw in the locknut.
 - a) Adjust the faucet main body to desired position and tighten the locknut.
4. Install the control valves (Fig. 1~4 on the next page):
 - a) Remove the handle: loosen the handle by turning the valve cover in counter-clockwise direction (Fig. 3) and then pull out the handle (Fig. 2).
 - b) Remove the decorative cover and rubber washer 3 from the control valve.
 - c) From under the faucet hole, put the valve body through. Put back rubber washer 3 and the decorative cover. Adjust the outlet of the left valve to the left and the outlet of the right valve to the right. Tighten locknut 2.
 - d) Reinstall the handle back to the valve and then push down the handle (Fig. 3). Tighten the handle by turning the valve cover in clockwise direction (Fig. 4).
5. Connect the left valve to the hot water supply hose (marked with a red line) and the right valve to the cold water supply hose (marked with a blue line).
6. Remove the aerator assembly. Turn on the main water supply and check for leaks. Turn on the hot and cold valves and run water through the spout for a minute or two. If no leakage is observed, switch off the water supply and reinstall the aerator assembly.



**3-HOLE LAVATORY FAUCETS
INSTALLATION INSTRUCTIONS**

INSTALLATION

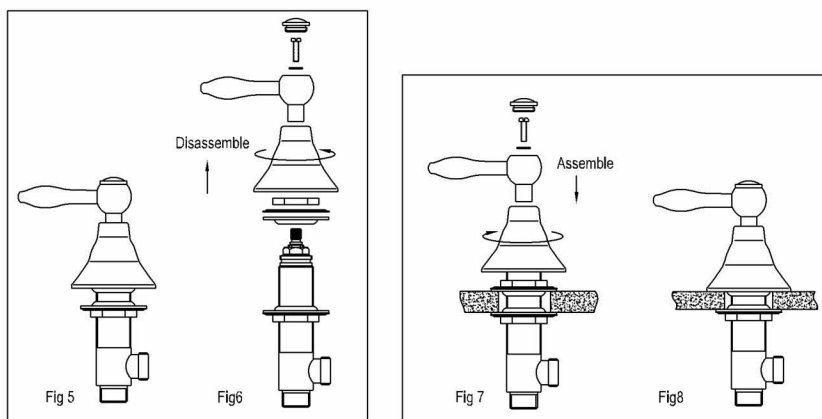
IMPORTANT: Recommended for professional installers only. The installer maintains responsibility for installing the product safely.

Note:

- The faucet main body is already assembled; please do not disassemble it.
- Thoroughly clean the inside of all pipes with a soft cloth before installation.
- Check for leakage after installation.
- The water pressure should be 140-860 kPa (20-140 lbs.) and the temperature should be 41-160°F (5-71°C).
- When facing the faucet, the hot water supply should be connected to the left shank and the cold water supply should be connected to the right shank.

INSTALLATION INSTRUCTIONS FOR STRUCTURE B

1. Check the thickness of the faucet deck and the size of the faucet holes before installation to make sure the faucet will fit properly.
2. Turn off hot and cold water supplies.
3. Install the faucet main body:
 - a) Place the main body with rubber washer 1 on the faucet desk. From under the faucet hole, assemble the screw to the main body and let faucet main body stand on the faucet deck; slide rubber washer 2 and metal washer 1 onto the screw and then fasten the locknut.
 - b) Adjust the faucet main body to desired position and tighten the water supply hoses to the faucet main body.
4. Install the control valves (Fig. 5~8 on the next page):
 - a) Disassemble the valve body: turn in counter-clockwise direction to remove the top section of each valve, leaving only rubber washer 4, metal washer 4 and nut 2 on the valve body (Fig. 5 and Fig. 6).
 - b) From under the faucet hole, put the valve body through. From the top of the hole, slide rubber washer 3, metal washer 3 and nut 1 over the valve body and reinstall decorative cover 2. Adjust nut 1 and nut 2 to make sure decorative cover 2 reaches the faucet deck.
 - c) Adjust the outlet of the left valve to the left and the outlet of the right valve to the right. Tighten nut 1 and nut 2.
 - d) Reinstall the bolt, metal washer 2 and the handle to the valve body and assemble decorative cover 1 (Fig. 7 and Fig. 8).
5. Connect the outlet of the left valve to the hot water supply hose (with red dotted lines) and the outlet of the right valve to the cold water supply hose (with blue dotted lines).
6. Remove the aerator assembly. Turn on the main water supply and check for leaks. Turn on the hot and cold valves and run water through the spout for a minute or two. If no leakage is observed, switch off the water supply and reinstall the aerator assembly.



**3-HOLE LAVATORY FAUCETS
INSTALLATION INSTRUCTIONS**

INSTALLATION

IMPORTANT: Recommended for professional installers only. The installer maintains responsibility for installing the product safely.

Note:

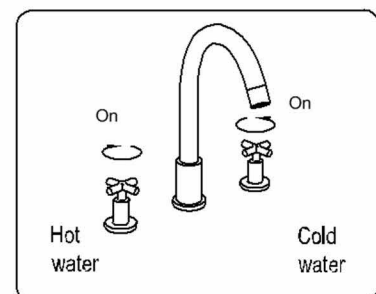
- The faucet main body is already assembled; please do not disassemble it.
- Thoroughly clean the inside of all pipes with a soft cloth before installation.
- Check for leakage after installation.
- The water pressure should be 140-860 kPa (20-140 lbs.) and the temperature should be 41-160°F (5-71°C).
- When facing the faucet, the hot water supply should be connected to the left shank and the cold water supply should be connected to the right shank.

INSTALLATION INSTRUCTIONS FOR STRUCTURE C

1. Check the thickness of the faucet deck and the size of the faucet holes before installation to make sure the faucet will fit properly.
2. Install the spout: with the o-ring, put the pipe through the faucet hole. Adjust the spout to the desired position. From under the faucet hole, slide rubber washer 1 and metal washer 1 onto the pipe and tighten the locknut. Connect the tee to the pipe and fasten the nut.
3. Install the control valve: loosen the screw and remove the handle, the decorative covers and rubber washer 2. From under the faucet hole, put the control valve body through. Reinstall rubber washer 2 and the decorative covers to the valve body. Adjust the outlet of the left valve to the left and the outlet of the right valve to the right. Tighten the nut and reinstall the handle.
4. Connect the outlets of both valves to the tee with stainless steel water supply hoses. The left valve should connect to the hot water and the right to the cold water.
5. Turn on the main water supply and check for leaks. Turn on the hot and cold valves and run water through the spout for a minute or two. If no leakage is observed, switch off the water supply.

USER INSTRUCTIONS:

- Control the hot water with the left handle and the cold water with the right handle.
- Turn the left handle clockwise to turn the hot water on; turn the handle counter-clockwise to turn the hot water off.
- Turn the right handle counter-clockwise to turn the cold water on; turn the handle clockwise to turn the cold water off.

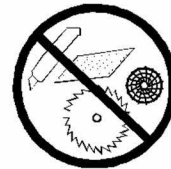


**3-HOLE LAVATORY FAUCETS
INSTALLATION INSTRUCTIONS**

CARE AND CLEANING

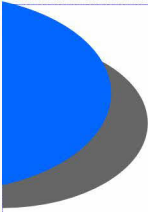
To maintain the product and to avoid possible damage, please use caution when cleaning and always follow the manufacturer's instructions.

- Clean as and when required. Regular cleaning prevents scale buildup and water spotting.
- To clean, flush with clean water and dry with a soft cloth.
- To remove scale or water spots, only use cleaners made specifically for that purpose. Apply cleaners to cleaning cloths, pads, or sponges first; do not apply directly onto the product.
- Do not allow any cleaning product to remain on your faucet for longer than necessary.
- Do not use any abrasive cleaning products, such as scrubbing detergent, polisher, sand-cloth, paper tissue, or scraper.
- Do not use detergents or soaps that contain acid or that are undissolvable.
- Take the aerator off and clean it when necessary.
- After cleaning, rinse thoroughly with clean water to remove any cleaner residue.



LEGAL DISCLAIMER:

- This instruction guide is done as a public service to customers of Dawn Kitchen & Bath Products, Inc. ("Dawn"). For special situations or further assistance, please consult professionals.
- All products should be inspected by customers upon receipt and before any preparation for installation. Any defective product should be reported immediately and should NOT be installed.
- Requirements may vary for installation in a granite, marble, stone, or butcher block countertop.
- Installation by professional installers is highly recommended. Dawn assumes no liability for any damages incurred through the use of information provided in this publication or the installation.



3-HOLE LAVATORY FAUCETS
INSTALLATION INSTRUCTIONS

WARRANTY

All Dawn products have been manufactured and tested to the highest quality standards by Dawn Kitchen & Bath Products, Inc. ("Dawn"). This warranty is limited to Dawn products purchased and installed in the United States. Dawn Kitchen & Bath Products, Inc. warrants its products to be free from manufacturing defects in material and workmanship during normal residential use for as long as the original consumer purchaser owns his or her home. This warranty only extends to the original consumer purchaser and this warranty is non-transferable. If any defect is found in normal residential use, Dawn Kitchen & Bath Products, Inc. will, at its election, repair, provide a replacement part of product, or make appropriate adjustment at no charge (excluding labor charges and other incidental or consequential costs). Damage to a product caused by accident, misuse, or abuse is NOT covered by this warranty. Improper care and cleaning will void the warranty. If Dawn is unable to provide a replacement and repair cannot be made, Dawn may elect to refund the purchase price to the original consumer purchaser in exchange for the return of the product. (IMPORTANT: The original consumer purchaser should be responsible for inspecting products upon receipt. Any defective product should be reported immediately and should NOT be installed.)

THIS WARRANTY DOES NOT COVER, AND DAWN DISCALIMS ANY LIABILITY FOR:

- Conditions or damage NOT resulting from defects in material or workmanship.
- Conditions or damage resulting from
 - ① normal wear and tear, improper installation, improper maintenance, misuse, abuse, negligence, accident or alteration, or
 - ② the use of abrasive cleaning products or the use of the product in any manner contrary to the product instructions, or
 - ③ conditions in the home such as excessive water pressure or corrosion.
- Labor, shipping, or other costs for the disconnection, deinstallation, or return of the product for warranty service, or costs for installation or reinstallation of the product.
- Parts, accessories, connected materials, or related products not manufactured by Dawn.

Dawn reserves the right to inspect any Dawn product reported to be defective prior to any repair or replacement. Repair and replacement costs EXCLUDE shipping, labor, and consequential expenses. To request warranty service, please contact Dawn Customer Service at toll-free 1-877-Dawn-USA. NOTE: Proof of purchase (original sales receipt) and description of problem must be provided with all warranty claims.

RETURN POLICY

You may only return new, uninstalled, or unused items sold and fulfilled by Dawn Kitchen & Bath Products, Inc. for a full refund within 30 days of delivery. Items must be returned in its original package. Returns of used items or returns after 30 days of delivery may be accepted with a 15% restocking fee. Dawn will pay for return shipping costs only if the return is a result of our fault. If you receive a faulty product and need to exchange it for the same product, please contact our customer service via phone, fax, or e-mail to request a replacement. If you would like to exchange a product for a different one, please first return the original product to our location at 27688 Industrial Blvd., Hayward, CA 94545 and then place a new order.

PARTIAL REFUNDS MAY BE GIVEN TO:

- Most of the items that are returned after 30 days of delivery
- Any item not returned in the condition it was delivered
- Any item that has obvious signs of use
- A 15% restocking fee will apply to all used items or items returned after 30 days of delivery.

ASKING FOR ASSISTANCE

Customer Service Department
Dawn Kitchen & Bath Products, Inc.
27688 Industrial Blvd., Hayward, CA 94545
Toll-Free: 877-DAWN-USA (877-329-6872)
Tel: 510-723-0088 Fax: 510-723-0099
E-mail: dp@dawnusa.net Web: www.dawnusa.net