

Specification

ST5005E-2

2 Well Steam Table



- ◆ Easy to clean.
- ◆ Stainless Steel Construction.
- ◆ Uses Edgeless Water pan.
- ◆ ½” polyethylene cutting board.
- ◆ Adjustable stainless-steel legs.
- ◆ Thermostatic heat controls and indicator lights.
- ◆ 8” deep open well design fits full size spillage pans.
- ◆ Individually controlled 500W tubular heating elements.



[Note: Dimensions and Specification are subject to change without notice.](#)

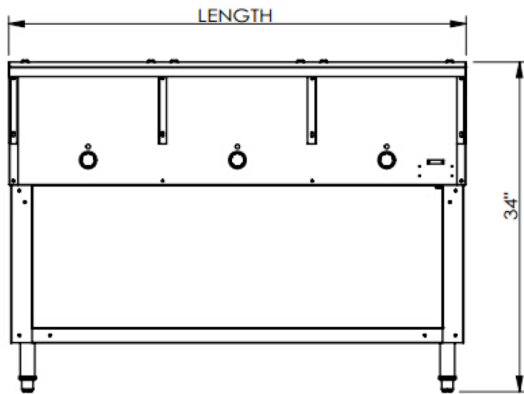
Cozoc’s 8” deep open well steam table features individual bays (uses edgeless water pan), each with independent temperature controls perfect for maintaining hot foods. Adjustable unit height, constructed of stainless steel with four stainless-steel legs and stainless-steel under shelf, 1/2” thick polyethylene cutting board for workspace. Individually controlled 500W tubular heating elements in each bay assuring proper holding temperatures

Dimensions and Specifications

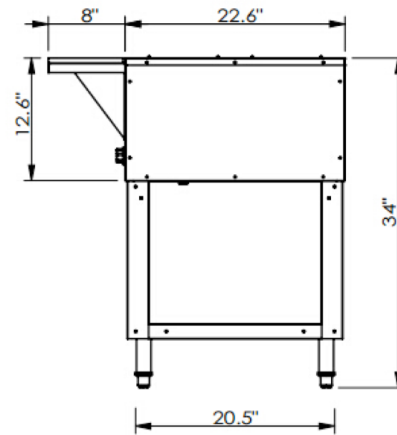
ST5005E-2



Front View



Side View



Pan Use edgeless water pan.

Options None

Electrical 120 Volts

Power 1000 Watts

Power per bay 500 Watts

Net Weight 79 lbs.

Gross shipping weight 88 lbs.

Class 100

Dimensions 31.6" W x 30.6" D x 34" H

Package 35" W x 26" D x 19" H

Warranty 1 Year Manufactures limited Warranty