

# GAS GRIDDLE

---

Project                      Date                      Models **GCP15, GCP24, GCP36, GCP48**                      Item#                      Quantity



model GCP48

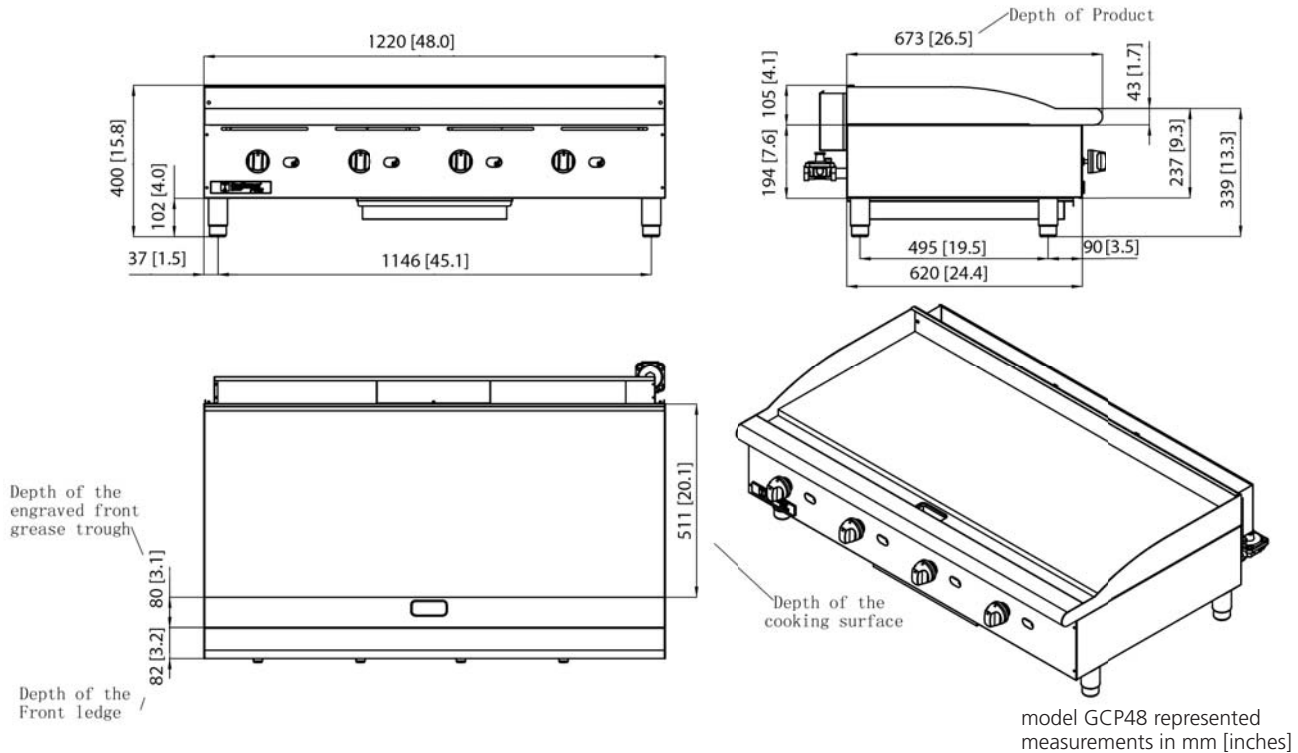
---

## Features

- Sleek, heavy-duty stainless steel construction for long life and easy maintenance
- All models can be operated using natural or LP gas (conversion kit included)
- Manually controlled, independent cooking zones
- Countertop units with 20" depth available in four widths: 15", 24", 36", and 48"
- Griddle plate thickness of  $\frac{3}{4}$ "

# Models & Dimensions

## Gas Griddle



## Specifications

Model	Cooking Surface	No. of Burners	Power	Product Dimensions	Outer Carton Dimensions	Weight
<b>GCP15</b> (6601-1000)	15" W x 20" D mm: 377 W x 510 D	One	30,000 BTUs	15.2" W x 32.3" D x 15.6" H mm: 386 W x 820 D x 396 H	18.5" W x 32.5" D x 19.1" H mm: 470 W x 826 D x 485 H	106 lbs. 48 kg.
<b>GCP24</b> (6601-1001)	24" W x 20" D mm: 606 W x 510 D	Two	60,000 BTUs	24.6" W x 32.3" D x 15.6" H mm: 610 W x 820 D x 396 H	28.0" W x 32.5" D x 19.1" H mm: 711 W x 826 D x 485 H	162 lbs. 73 kg.
<b>GCP36</b> (6601-1002)	36" W x 20" D mm: 911 W x 510 D	Three	90,000 BTUs	36.6" W x 32.3" D x 15.6" H mm: 915 W x 820 D x 396 H	40.0" W x 32.5" D x 19.1" H mm: 1016 W x 826 D x 485 H	231 lbs. 105 kg.
<b>GCP48</b> (6601-1003)	48" W x 20" D mm: 1216 W x 510 D	Four	120,000 BTUs	48.6" W x 32.3" D x 15.6" H mm: 1220 W x 820 D x 396 H	52.0" W x 32.5" D x 19.1" H mm: 1321 W x 826 D x 485 H	298 lbs. 135 kg.

