

## AXIOM™ 12 Cup Dual-Voltage Coffee Brewer

ITEM#

PROJECT

DATE



### Model AXIOM-DV-3

(decanters sold separately)

Dimensions: 18.9" H x 8.5" W x 17.7" D  
(48cm H x 21.6cm W x 44.9cm D)



### Model AXIOM-DV-3

(decanters sold separately)

Dimensions: 16.8" H x 16.5" W x 17.7" D  
(42.7cm H x 41.9cm W x 44.9cm D)

## Features

### AXIOM Automatic Coffee Brewer

- Large 200 oz. (5.9 litres) tank provides back-to-back brewing capacity.
- Dual voltage adaptable. Can operate at 120V/15 amp or 120/208-240V/20 amp.
- Adjusts automatically to varying water pressure.
- For high lime areas, BrewLOGIC™ technology calculates flow rate and adjusts brew time to maintain consistent pot levels.
- BrewWIZARD™ technology simplifies brewer programming with a LCD display. Set brew level, cold brew lock-out and tank temperature from the front of the machine.
- Digital temperature control and accuracy.
- Ensures coffee brew quality with cold brew lock out capability.
- Electronic diagnostics and built in tank drain make service easier.
- SplashGard® funnel deflects hot liquids away from the hand.
- Coffee extraction controlled with programmable pre-infusion, pulse brew and digital temperature control.
- Automatic warmer shut-off.
- Energy-saver mode reduces tank temperature during idle periods.

For current specification sheets and other information, go to [www.bunn.com](http://www.bunn.com).

## Related Products

### Easy Clear® EQ-17-TL

Product No. : 30200.1000

Dimensions:

12<sup>7</sup>/<sub>16</sub>" H x 2<sup>1</sup>/<sub>2</sub>" W x 3" D  
31.6 cm H x 6.35 cm W x 7.62 cm D



### Easy Clear® ED-17-TL

Product No. : 30201.1001

Dimensions: 8<sup>1</sup>/<sub>4</sub>" H x 2<sup>5</sup>/<sub>16</sub>" Dia.  
20.95 cm H x 5.87 cm Dia.

### Paper Filter Pack

Product No. : 20115.0000

Packed per case: 1,000

Dimensions: 4<sup>1</sup>/<sub>4</sub>" Base x 2<sup>3</sup>/<sub>4</sub>" Sidewall  
10.8 cm Base x 6.98 cm Sidewall



### Easy Pour® black decanter

Product No. : 06100.0101

Quantity: 1 (also packaged in quantities of 2, 3, 6, 12, & 24)



### Easy Pour® orange decanter (for decaf)

Product No. : 06101.0101

Quantity: 1 (also packaged in quantities of 2, 3, 6, 12, & 24)



### 1GPR SS Portable Server on an RWS1 Warmer

1GPR Product No. : 12487.0001\*

RWS1 Product No. : 12203.0010

\*Also available with side handles or black decor.



### Model

AXIOM-DV-3

### Agency Listing



## Dimensions & Specifications

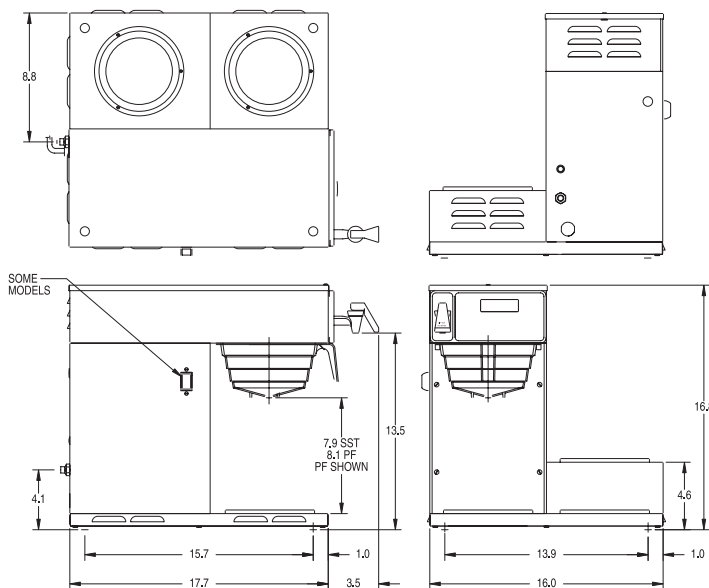
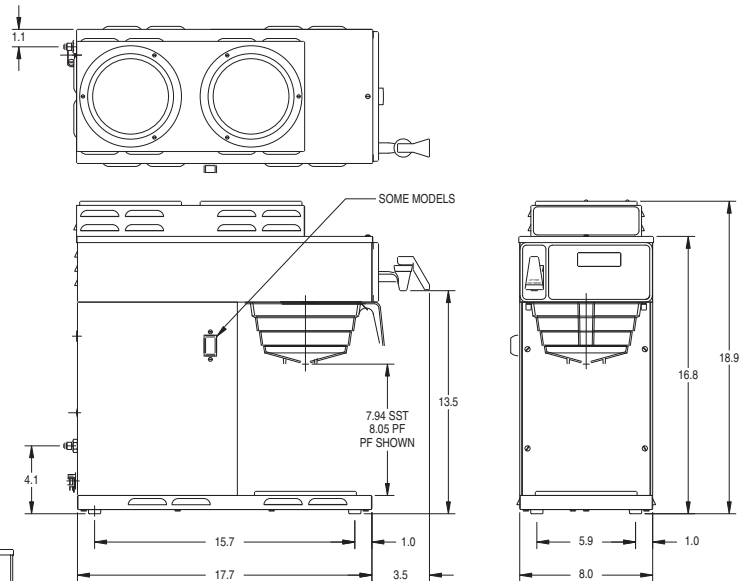
Model	Product #	Volts	Amps	Tank Heater Watts	Total Watts	Brewing Capacity	Cu. Ft.	Shipping Weight	Cord Attached
AXIOM-DV-3	38700.0008	120	15	1425	1800	4.2 gal./hr.	4.0	30 lbs.	Yes
1L/2U Warmers		120/208	15.5	2620	2980	7.5 gal./hr.			
		120/240	17.5	3500	3850	7.5 gal./hr.			
AXIOM-DV-3	38700.0009	120	15	1425	1800	4.2 gal./hr.	6.4	32 lbs.	Yes
3 Lower Warmers		120/208	15.5	2620	2980	7.5 gal./hr.			
		120/240	17.5	3500	3850	7.5 gal./hr.			

**Brewing capacity:** based upon incoming water temp of 60°F (140°F rise) per 1/2 gallon brew time of 4 minutes.

**Electrical:** 120 volt, 15 amp. models require 2-wires plus ground service rated 120V, single phase, 60 Hz. If wired for 120/208V or 120/240V, required 3 wires plus ground service rated 120/208V or 120/240V, single phase, 60Hz.

**Plumbing:** 20-90 psi (138-621 kPa). Machines supplied with 1/4" male flare fitting. Twin models supplied with 3/8" male flare fitting.

AXIOM  
2-Upper/1 Lower Warmer



AXIOM  
3-Lower Warmers

Bunn-O-Matic® Corporation - 1400 Stevenson Drive Springfield, Illinois 62703 • 800-637-8606 • 217-529-6601 • Fax 217-529-6644 • www.bunn.com

BUNN® practices continuous product research and improvement. We reserve the right to change specifications and product design without notice. Such revisions do not entitle the buyer to corresponding changes, improvements, additions or replacements for previously purchased equipment.

All dimensions shown in inches.