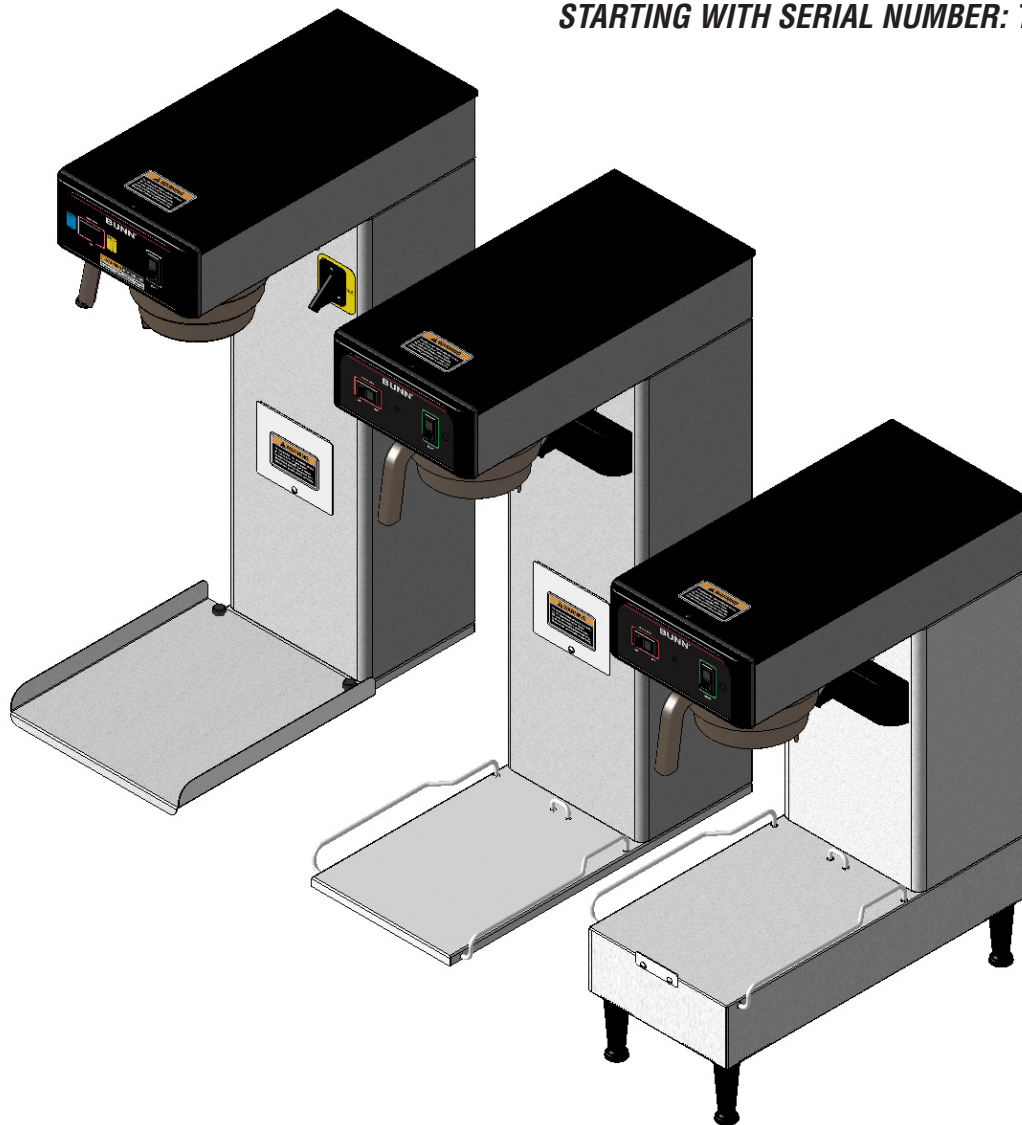


---

# BUNN®

***TB3/TB6 Series***  
***Including: TB3; TB3-LP;***  
***TB3Q; TB3Q-LP; TB6; TB6Q***  
***STARTING WITH SERIAL NUMBER: TU00020000***



## ILLUSTRATED PARTS CATALOG

Designs, materials, weights, specifications, and dimensions for equipment or replacement parts are subject to change without notice.

**BUNN-O-MATIC CORPORATION**

POST OFFICE BOX 3227

SPRINGFIELD, ILLINOIS 62708-3227

PHONE: (217) 529-6601 FAX: (217) 529-6644



## BUNN-O-MATIC COMMERCIAL PRODUCT WARRANTY

Bunn-O-Matic Corp. ("BUNN") warrants equipment manufactured by it as follows:

- 1) Airpots, thermal carafes, decanters, GPR servers, iced tea/coffee dispensers, MCP/MCA pod brewers thermal servers and Thermofresh servers (mechanical and digital)- 1 year parts and 1 year labor.
- 2) All other equipment - 2 years parts and 1 year labor plus added warranties as specified below:
  - a) Electronic circuit and/or control boards - parts and labor for 3 years.
  - b) Compressors on refrigeration equipment - 5 years parts and 1 year labor.
  - c) Grinding burrs on coffee grinding equipment to grind coffee to meet original factory screen sieve analysis - parts and labor for 4 years or 40,000 pounds of coffee, whichever comes first.

These warranty periods run from the date of installation BUNN warrants that the equipment manufactured by it will be commercially free of defects in material and workmanship existing at the time of manufacture and appearing within the applicable warranty period. This warranty does not apply to any equipment, component or part that was not manufactured by BUNN or that, in BUNN's judgment, has been affected by misuse, neglect, alteration, improper installation or operation, improper maintenance or repair, non periodic cleaning and descaling, equipment failures related to poor water quality, damage or casualty. In addition, the warranty does not apply to replacement of items subject to normal use including but not limited to user replaceable parts such as seals and gaskets. This warranty is conditioned on the Buyer 1) giving BUNN prompt notice of any claim to be made under this warranty by telephone at (217) 529-6601 or by writing to Post Office Box 3227, Springfield, Illinois 62708-3227; 2) if requested by BUNN, shipping the defective equipment prepaid to an authorized BUNN service location; and 3) receiving prior authorization from BUNN that the defective equipment is under warranty.

**THE FOREGOING WARRANTY IS EXCLUSIVE AND IS IN LIEU OF ANY OTHER WARRANTY, WRITTEN OR ORAL, EXPRESS OR IMPLIED, INCLUDING, BUT NOT LIMITED TO, ANY IMPLIED WARRANTY OF EITHER MERCHANTABILITY OR FITNESS FOR A PARTICULAR PURPOSE.** The agents, dealers or employees of BUNN are not authorized to make modifications to this warranty or to make additional warranties that are binding on BUNN. Accordingly, statements by such individuals, whether oral or written, do not constitute warranties and should not be relied upon.

If BUNN determines in its sole discretion that the equipment does not conform to the warranty, BUNN, at its exclusive option while the equipment is under warranty, shall either 1) provide at no charge replacement parts and/or labor (during the applicable parts and labor warranty periods specified above) to repair the defective components, provided that this repair is done by a BUNN Authorized Service Representative; or 2) shall replace the equipment or refund the purchase price for the equipment.

**THE BUYER'S REMEDY AGAINST BUNN FOR THE BREACH OF ANY OBLIGATION ARISING OUT OF THE SALE OF THIS EQUIPMENT, WHETHER DERIVED FROM WARRANTY OR OTHERWISE, SHALL BE LIMITED, AT BUNN'S SOLE OPTION AS SPECIFIED HEREIN, TO REPAIR, REPLACEMENT OR REFUND.**

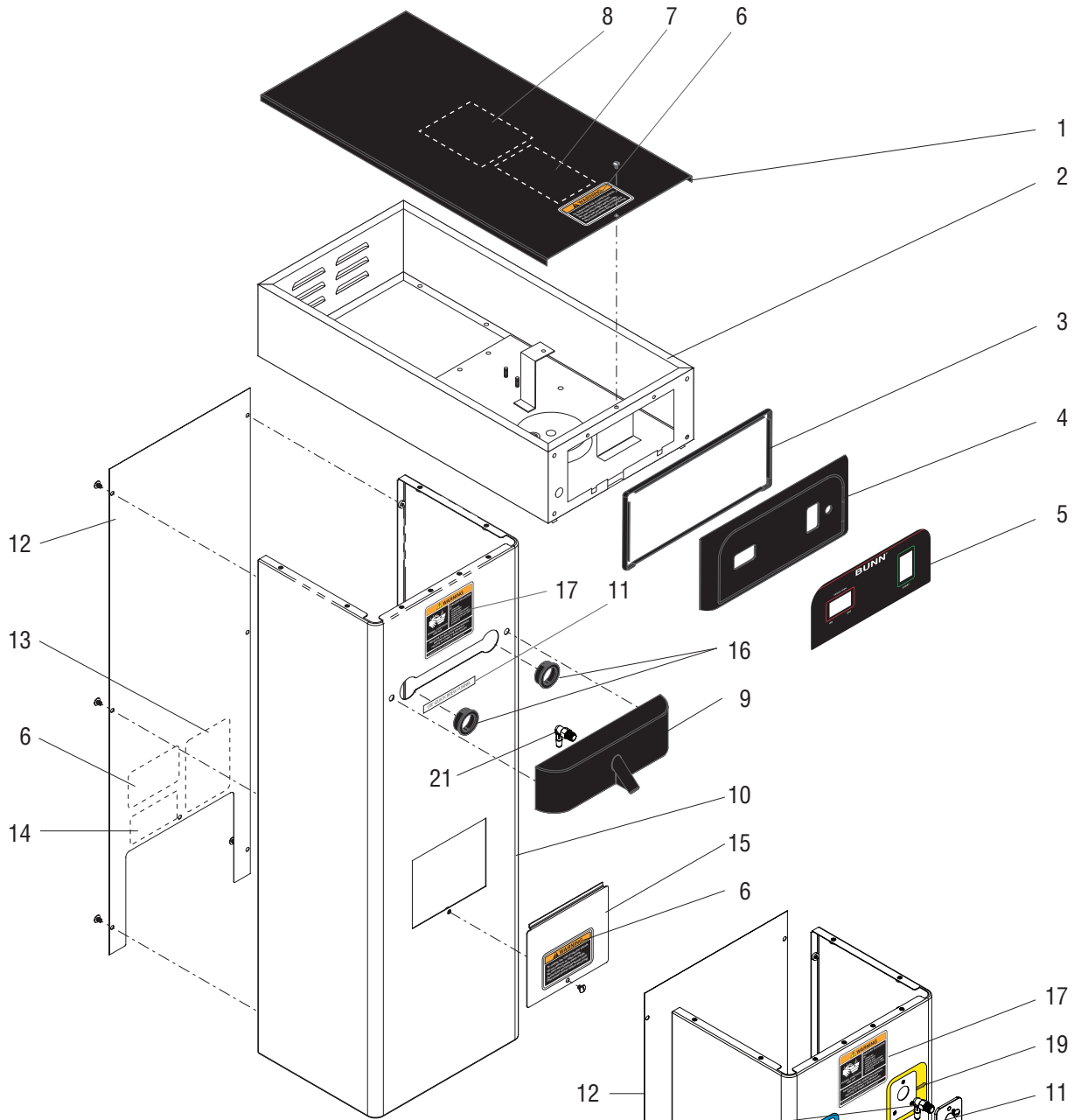
In no event shall BUNN be liable for any other damage or loss, including, but not limited to, lost profits, lost sales, loss of use of equipment, claims of Buyer's customers, cost of capital, cost of down time, cost of substitute equipment, facilities or services, or any other special, incidental or consequential damages.

392, AutoPOD, AXIOM, BrewLOGIC, BrewMETER, Brew Better Not Bitter, BrewWISE, BrewWIZARD, BUNN Espresso, BUNN Family Gourmet, BUNN Gourmet, BUNN Pour-O-Matic, BUNN, BUNN with the stylized red line, BUNNlink, Bunn-OMatic, Bunn-O-Matic, BUNNserve, BUNNSERVE with the stylized wrench design, Cool Froth, DBC, Dr. Brew stylized Dr. design, Dual, Easy Pour, EasyClear, EasyGard, FlavorGard, Gourmet Ice, Gourmet Juice, High Intensity, iMIX, Infusion Series, Intellisteam, My Café, Phase Brew, PowerLogic, Quality Beverage Equipment Worldwide, Respect Earth, Respect Earth with the stylized leaf and coffee cherry design, Safety-Fresh, savemycoffee.com, Scale-Pro, Silver Series, Single, Smart Funnel, Smart Hopper, SmartWAVE, Soft Heat, SplashGard, The Mark of Quality in Beverage Equipment Worldwide, ThermoFresh, Titan, trifecta, Velocity Brew, A Partner You Can Count On, Air Brew, Air Infusion, Beverage Bar Creator, Beverage Profit Calculator, Brew better, not bitter., BUNNSource, Coffee At Its Best, Cyclonic Heating System, Daypart, Digital Brewer Control, Nothing Brews Like a BUNN, Pouring Profits, Signature Series, Tea At Its Best, The Horizontal Red Line, Ultra are either trademarks or registered trademarks of Bunn-O-Matic Corporation.

## TABLE OF CONTENTS

Top Cover, Hood, Trunk .....	4
Bases.....	8
Tank Assemblies.....	10
Fill Solenoid & Dilution Lines (TB3/TB3Q) Before S/N TU00233806 .....	12
Fill Solenoid & Dilution Lines (TB3/TB3Q) Starting with S/N TU00233806 .....	14
Fill Solenoid & Dilution Lines (TB6/TB6Q).....	16
Sweetner Solenoid & Lines (Optional).....	18
TB3QA & TB3Q-LP Plumbing .....	20
TB3A Plumbing .....	24
TB3-LP Plumbing .....	28
Electrical and Operating Controls .....	32
Funnel Assemblies.....	36
Numerical Index .....	38

**To order coffee filters, water filters, or other accessories, refer to Specification Sheets at [www.bunn.com](http://www.bunn.com)**



29" TB3Q TRUNK SHOWN

29" TB6Q TRUNK SHOWN

P4015.40

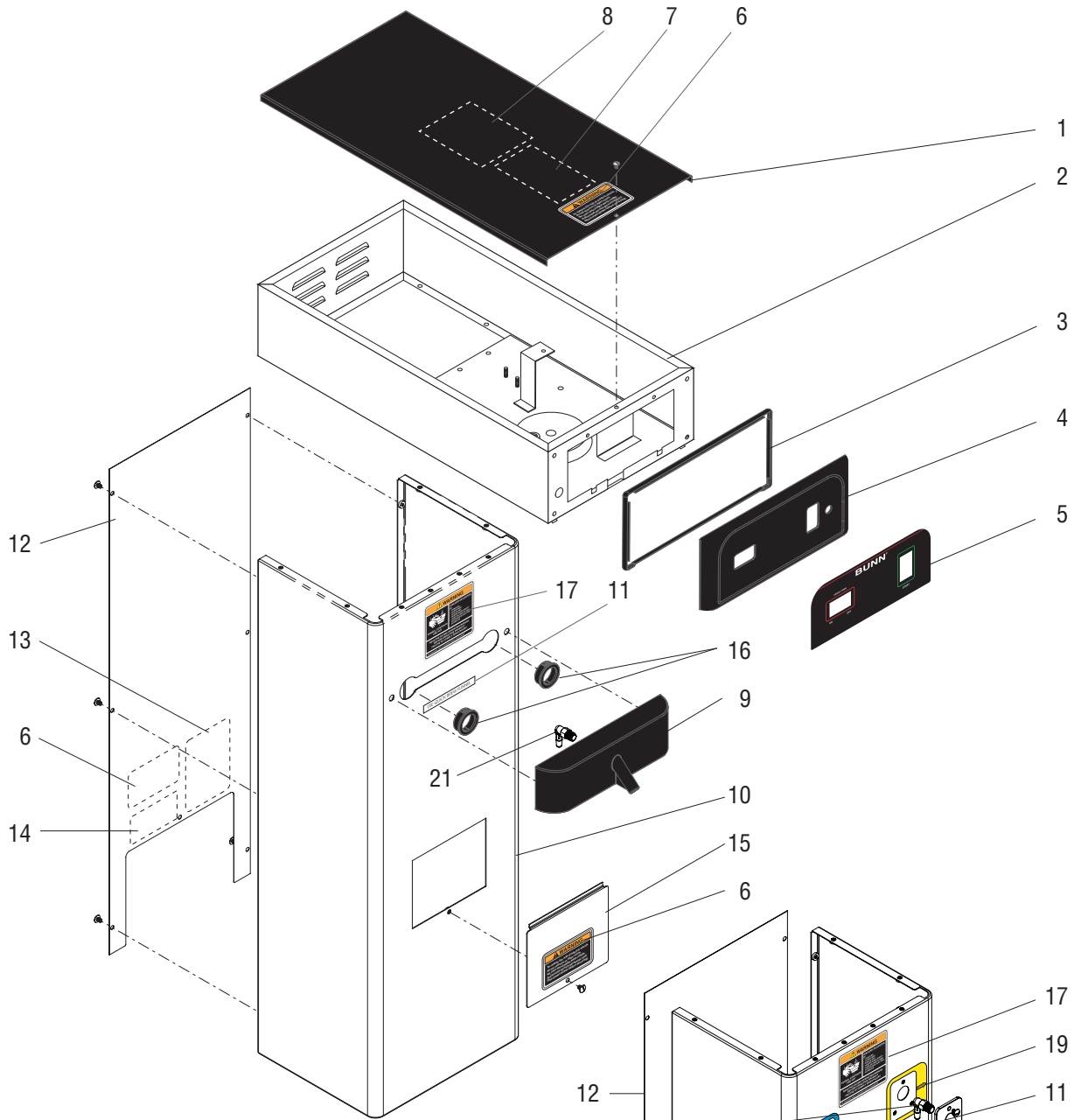


## TOP COVER, HOOD AND TRUNK

ITEM	PART NO.	QTY.	DESCRIPTION
1	36355.1002	1	Cover, Top BLK (Includes items 8 & 20)
	01308.0003	1	Screw, Truss Head BLK #6-32 x .25"
2	36584.0004	1	Hood SST (TB3/TB3Q)
	36584.0005	1	Hood BLK (TB3/TB3Q)
	36584.0006	1	Hood SST (TB6/TB6Q)
	02308.0000	8	Screw, Pan Head #8-32 x .38"
3	36586.0000	1	Gasket
4	36580.0001	1	Bezel
	02308.0000	4	Screw, Pan Head #8-32 x .38"
	01502.0000	4	Lockwasher, Split #10
5	36590.0000	1	Decal, Control Panel (Plain, No Lights)
	36590.0002	1	Decal, Control Panel (Models w/"UNSWEET/OFF/SWEET" Switch)
	36590.0002	1	Decal, Control Panel (TB3Q Models w/Red Sweetener Light)
	36590.0017	1	Decal, Control Panel (Models w/Ready Light in Start Switch)
	36590.0022	1	Decal, Control Panel (TB6/TB6Q)
6	37881.0000	2	Decal, No Serviceable Parts
7	37234.0000	1	Electrical Schematic 120V (TB3)
	27432.0000	1	Electrical Schematic 120V (Models w/Sweetener) (TB3)
	37234.0001	1	Electrical Schematic 120V (TB3Q)
	37234.0006	1	Electrical Schematic, 120V (TB3Q w/Low Sweetener Detect)
	37234.0009	1	Electrical Schematic, 120V (TB3Q W/Ready Light built into Start Switch)
	41974.0000	1	Electrical Schematic 120V (TB6)
	41975.0000	1	Electrical Schematic 120V (TB6Q)
8	32540.0000	1	Decal, Batch Set, Digital Timer
9	36360.1001	1	Nozzle, Dilution TB3/TB3Q Only (Includes item 21)
	02332.0005	2	Screw, Hex #6 x .38"
10	36353.1011	1	Trunk SST 28.8" (TB3)
	36353.1012	1	Trunk BLK 28.8" (TB3/TB3Q)
	36353.1013	1	Trunk SST 28.8" (TB3Q)
	36353.1014	1	Trunk SST 25.75" (TB3/TB3Q)
	36353.1018	1	Trunk SST 28.8" (TB6/TB6Q)
	36594.0003	1	Trunk SST LP Models (Order # 11)
	02308.0000	6	Screw, Pan Head #8-32 x .38"
11	03537.0000	1	Decal, Use Quick Brew Funnel (All "Quick" Models Only)
12	36356.1010	1	Panel, Back BLK 28.8" (Includes Decals) (TB3/TB3Q)
	36356.1011	1	Panel, Back SST 28.8" (Includes Decals) (TB3/TB3Q)
	36356.1013	1	Panel, Back SST 25.75" (Includes Decals) (TB3/TB3Q)
	36356.1206	1	Panel, Back BLK 28.8" (Includes Decals) 7 Holes (TB3/TB3Q & TB6/TB6Q)
	36356.1207	1	Panel, Back SST 28.8" (Includes Decals) 7 Holes (TB3/TB3Q)
	36356.1208	1	Panel, Back SST 25.75" (Includes Decals) 7 Holes (TB3/TB3Q)
	36997.1001	1	Panel, Back LP Models Only (Includes Decals) (TB3/TB3Q)
	01311.0001	7	Screw, Truss Head #8-32 x .25" (1 Less Used on LP)
			<div style="border: 1px solid black; padding: 5px; display: inline-block;">                     7 hole panels for use with new .75" inlet valve.                 </div>
13	00831.0000	1	Decal, Warning - Electrical
14	00656.0001	1	Decal, Comply to Plumbing Code

(Continued)

\* Indicates the part number listed is for reference only. See DESCRIPTION for possible service replacement.



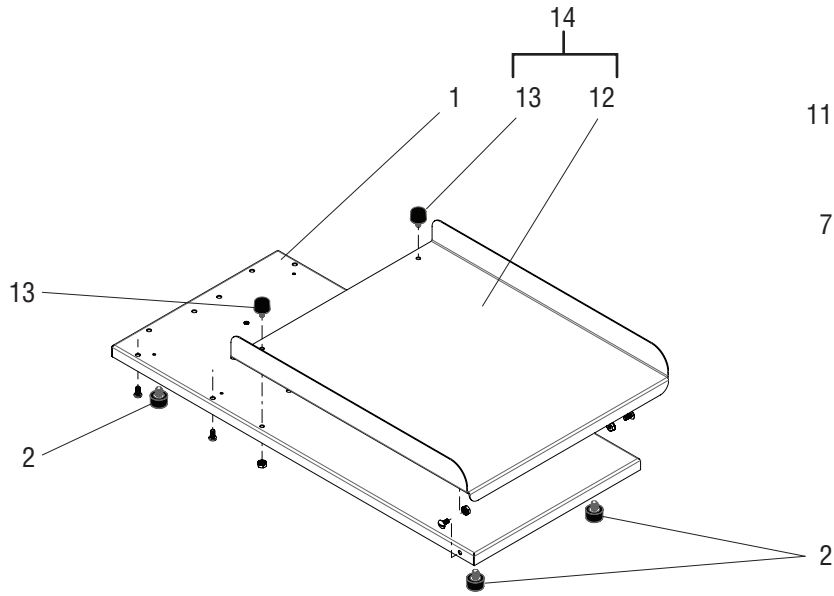
29" TB3Q TRUNK SHOWN

29" TB6Q TRUNK SHOWN

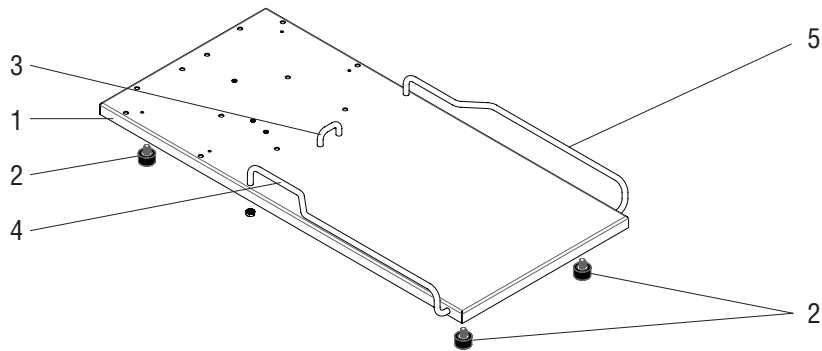
P4015.40

## TOP COVER, HOOD AND TRUNK

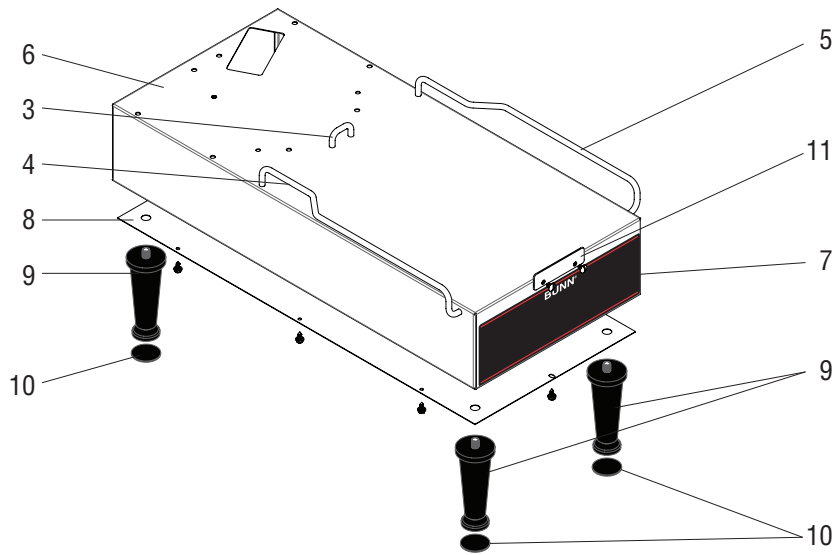
ITEM	PART NO.	QTY.	DESCRIPTION
15	34948.1002	1	Plate, Access Cover SST (Includes item 6)
	34948.1003	1	Plate, Access Cover BLK (Includes item 6)
	01311.0001	1	Screw, Truss Head, SST #8-32 x .25"
	01311.0004	1	Screw, Truss Head, BLK #8-32 x .25"
16	01592.0001	2	Snap Bushing (Not used on TB6/6Q)
17	00658.0000	1	Decal, Warning-Decanter/Funnel
18	41948.0000	1	Decal, Left Nozzle (TB6/TB6Q Only)
19	41948.0001	1	Decal, Right Nozzle (TB6/TB6Q Only)
20	03717.0000	2	Dilution Nozzle, (TB6/TB6Q Only)
21	40783.0000	1-2	Elbow, 1/8-27 NPT TO 1/4" BARB



TB6 & TB6Q



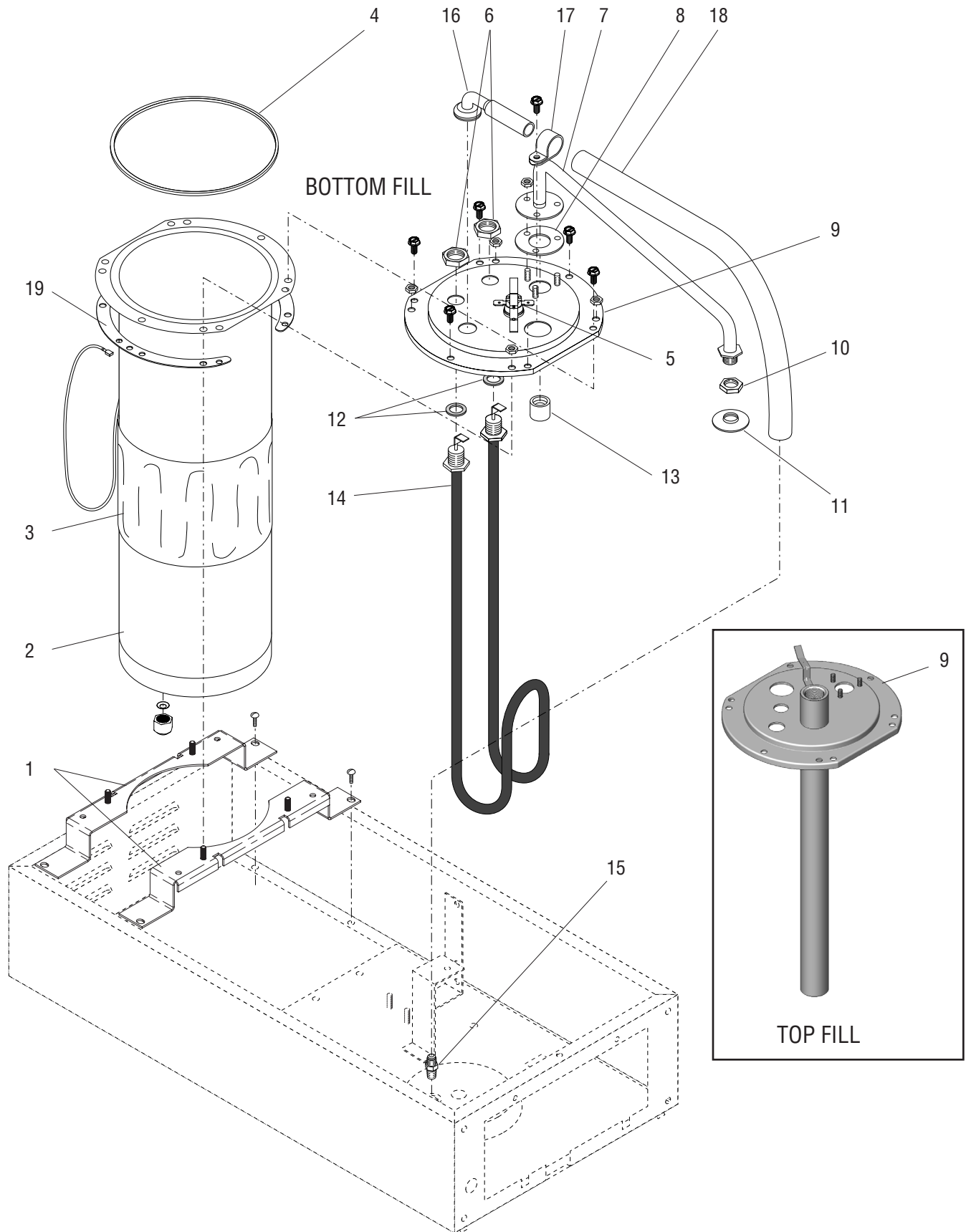
TB3 & TB3Q



ALL LP MODELS

## BASES

ITEM	PART NO.	QTY.	DESCRIPTION
1	36362.0002	1	Base
2	25137.0001	4	Foot, .75D x .48H x .25 Thread
3	36412.0000	1	Rail, Stop
	00970.0000	2	Nut, Keps #8-32
4	36461.0000	1	Guide Rail, Left
	00970.0000	2	Nut, Keps #8-32
5	36462.0000	1	Guide Rail, Right
	00970.0000	2	Nut, Keps #8-32
6	36923.0002	1	Base
7	37573.0000	1	Decal, Decorative
8	36877.0001	1	Panel, Bottom
	02332.0002	8	Screw, Hex #6 x .375"
9	26528.0001	4	Leg, 4.0" Adjustable
10	03996.0000	4	Pad, Non-Skid
11	37538.0001	1	Stop, Dispenser Front
	01311.0001	2	Screw, Truss Head #6-32 x .25"
12	41432.0003	1	Cover, Base (TB6/TB6Q)
	01317.0003	2	Screw, Truss Head Slotted SST 8-32 x .375"
	00970.0000	2	Nut, Keps #8-32
13	25137.0002	2	Stopper, BLK .75OD x .48H x 8-32 Thread
	00970.0000	2	Nut, Keps #8-32
14	41488.0001	1	KIT, BASE COVER TB6/TB6Q (Optional for 29" TB3/TB3Q) (Includes # 12 & 13)



## TANK ASSEMBLIES

ITEM	PART NO.	QTY.	DESCRIPTION
1	36582.0001	2	Bracket, Tank Mounting
	02308.0000	4	Screw, Pan Head #8-32 x .375"
2	03068.0000	1	Tank
	00908.0000	4	Nut, Hex #8-32
3	20315.0001	1	Blanket Warmer, 44W (100V & 120V Models)
	03470.0000	1	Blanket Warmer, 55W 230V
4	04844.0000	1	Gasket, Tank Lid
5	29329.1000	1	Thermostat, Limit 15 amp
6	00942.0000	2	Nut, Hex .50"-20
7	36576.0000	1	Sprayhead Tube
	00908.0000	3	Nut, Hex #8-32
8	05515.0000	1	Gasket, Sprayhead Tube
9	03370.1002	1	Kit, Lid Assembly (Includes 4 & 16-18) (For Bottom Fill Models Only)
	03125.0002	1	Kit, Lid Assembly (For Top Fill Models Only)
	32580.0000	6	Screw, Hex Washer SLTD #6-32 x .25"
10	01075.0000	1	Nut, Hex .438"-20
11	01082.0000	1	Sprayhead, 6 Hole
	01082.0003	1	Sprayhead, 7 Hole
12	00943.0000	2	Gasket, Tank Heater
13	05518.0000	1	Syphon Hub
14	03070.1000	1	Tank Heater, 1680W 120V (Includes Gaskets)
	03297.1000	1	Tank Heater, 1680W 100V (Includes Gaskets)
	03299.1000	1	Tank Heater, 1680W 230V (Includes Gaskets)
15	00406.0001	1	Fitting, .375" Tube x .125" MPT
16	38969.0001	1	Fitting, 90° Tank Vent, Silicon
17	00620.0000	1	Clamp
18	32591.0031*	1	Tubing, Silicone .50" ID x 14.0" ( <u>Order # 20</u> )
19	45703.1000	1	Kit, Bracket

**The following items are not illustrated**

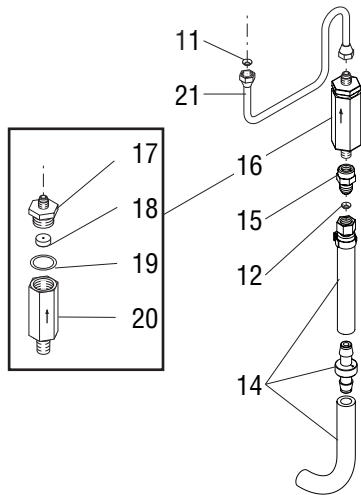
20	32591.1002	-	Tubing, Silicone .50" ID x 36" (Cut to length)
21	37233.1006	1	Tank Kit 1680W 120V
	37233.1009	1	Tank Kit 1680W 230V
22	37233.1007	1	Tank Kit 1680W 120V
	37233.1008	1	Tank Kit 1680W 230V

\* Indicates the part number listed is for reference only. See DESCRIPTION for possible service replacement.



**MODELS BEFORE SERIAL NUMBER TU00233806**

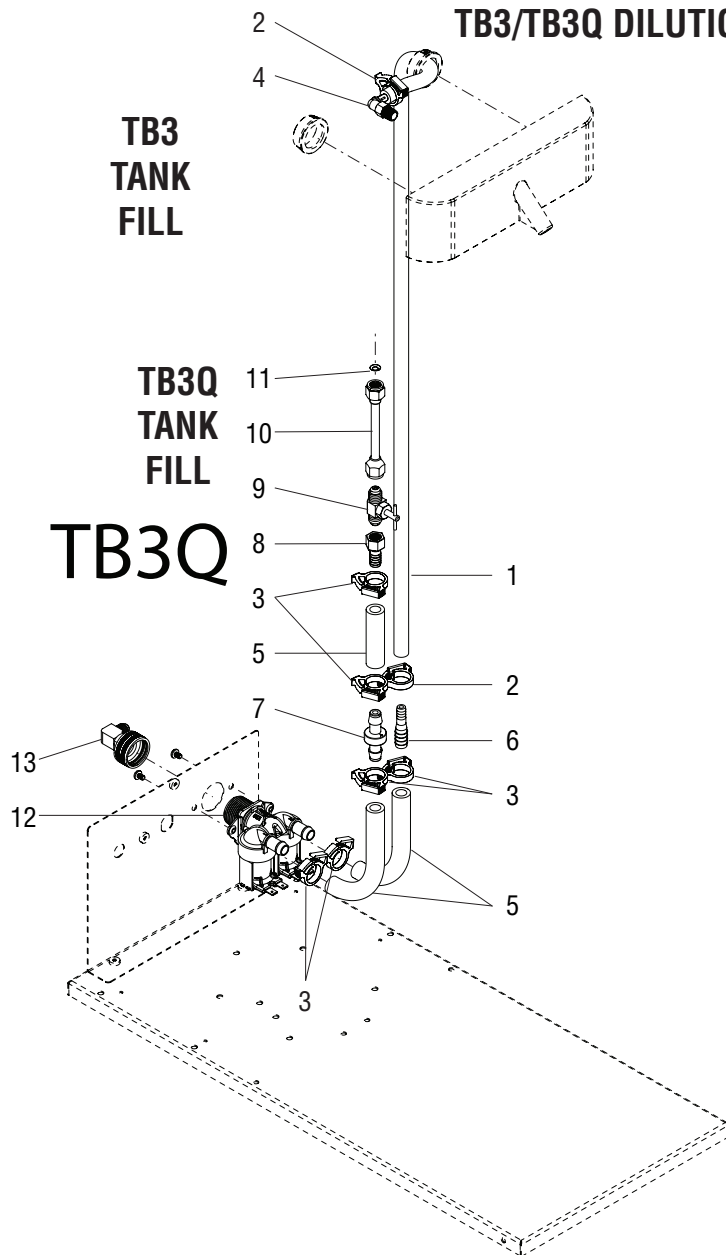
**TB3**



**TB3  
TANK  
FILL**

**TB3Q  
TANK  
FILL**

**TB3/TB3Q DILUTION**



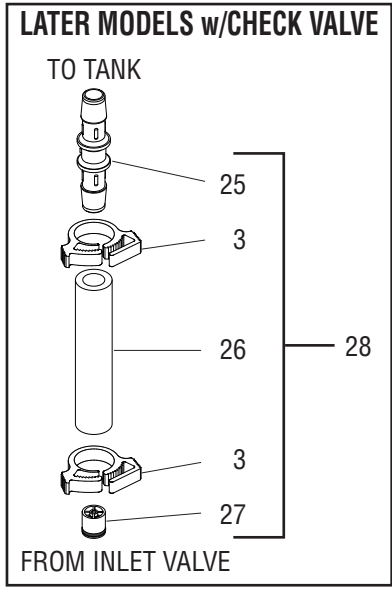
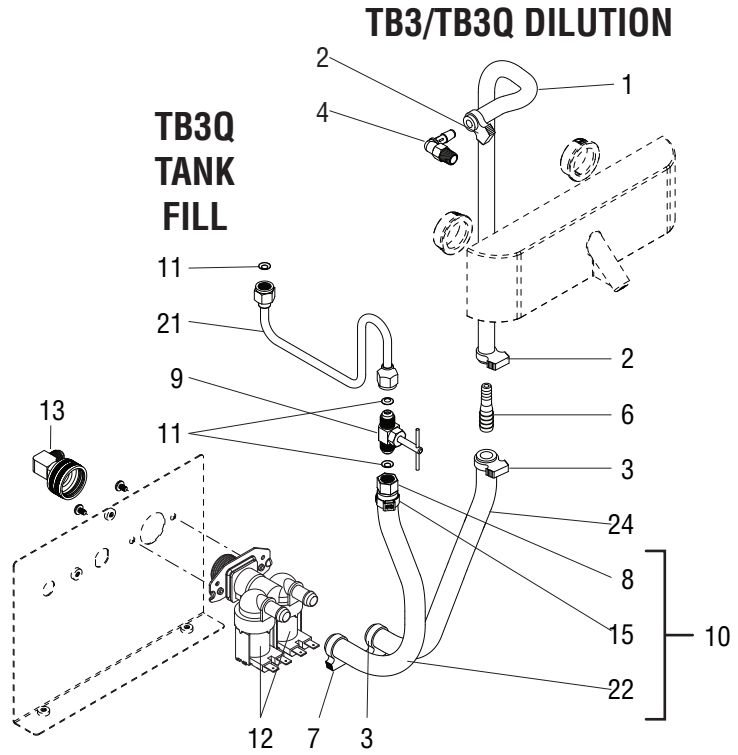
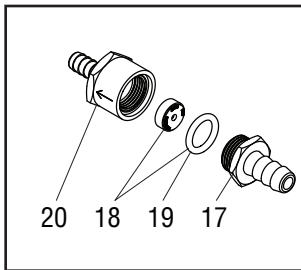
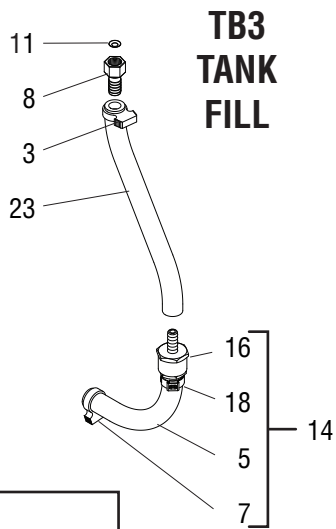
## FILL SOLENOID AND DILUTION LINES TB3/TB3Q 2nd STYLE

ITEM	PART NO.	QTY.	DESCRIPTION
1	11707.0007*	1	Tube, Silicone .250" I.D. x 31.0" LG (Order item 23)(Models with 29.0" Trunk)
	11707.0013*	1	Tube, Silicone .250" I.D. x 28.0" LG (Order item 23)(Models with 25.75" Trunk)
2	12422.0000	2	Clamp, Hose - SNP 6
3	12422.0001	6	Clamp, Hose - SNP 10
4	40783.0000	1	Elbow, 1/8-27 NPT TO 1/4" BARB
5	34325.0033*	2	Tube, Silicone .375" ID x .375" OD x 3.75" LG, Braided (Order item 24)
6	26443.0000	1	Reducer, Hose Barb .38X.25
7	33027.0001	1	Check Valve
8	40187.0001	1	Hose Adapter, .25 X .375 Barb
9	00484.0001	1	Needle Valve
10	40304.0000	1	Tube Assy, Needle Valve to Tank
11	24684.0000	1	Gasket, .25 Flare-Copper
12	43041.0000	1	Valve Kit, Universal Solenoid 120VAC
	32283.0000	2	Screw, SST SLTD PNH M4 X 6MM
13	37297.1006	1	Elbow, .25 Flr X .75 Fthrd
14	41035.1000	1	Tube Assy, Solenoid to Flow control 29.0" Trunk TB3 Only (Includes item 8)
	41035.1001	1	Tube Assy, Solenoid to Flow control 25.75" Trunk TB3 Only (Includes item 8)
15	00445.0001	1	Connector, FEM-TN.25FLRx.12FPT
16	20528.1195	1	Flow Control Assembly (.195 GPM) (Includes items 31 thru 34)
17	01154.0001	1	Fitting, Flow Control Outlet
18	20526.1195	1	Flow Washer/Gasket Kit (.195 GPM) (Includes item 32)
19	01155.0000	1	Gasket, Flow Control
20	20527.0001*	1	Body, Flow Control (Not Available. Order item 17)
21	00305.0001	1	Tube Assy, Check Valve To Tank (TB3 Only)

**The following items are not illustrated**

22	11707.1001	-	Tube, Silicone .250" I.D. x .50" O.D. x 36" LG
	11707.1002	-	Tube, Silicone .250" I.D. x .50" O.D. x 120" LG
24	34325.1000	-	Tube, Braided .375ID x 1 Foot
	34325.1001	-	Tube, Braided .375ID x 3 Feet
	34325.1002	-	Tube, Braided .375ID x 10 Feet

**STARTING W/SERIAL NUMBER TU00233806**



## FILL SOLENOID AND DILUTION LINES TB3/TB3Q 3rd STYLE

ITEM	PART NO.	TB3 QTY.	TB3Q QTY.	DESCRIPTION
1	11707.0007*	1	1	Tube, Silicone .250" I.D. x 31.0" LG (Order item 29)(29.0" Trunk)
	11707.0013*	1	1	Tube, Silicone .250" I.D. x 28.0" LG (Order item 29)(25.75" Trunk)
2	12422.0000	2	2	Clamp, Hose - SNP 6
3	12422.0001	4	2	Clamp, Hose - SNP 10
4	40783.0000	1	1	Elbow, 1/8-27 NPT TO 1/4" BARB
5	34325.0003*	1	1	Tube, Silicone .375" ID x .375" OD x 3.0" LG, Braided (Order item 14 or 31)
6	26443.0000	1	1	Reducer, Hose Barb .38X.25
7	12422.0005	1	1	Clamp, Hose - SNP 12
8	40187.0001	1	1	Hose Adapter, .25 X .375 Barb
9	00484.0001	-	1	Needle Valve
10	41035.1002	-	1	Tube Assy, 25.75" Trunks
	41035.1003	-	1	Tube Assy, 29" Trunks
11	24684.0000	1	3	Gasket, .25 Flare-Copper
12	43041.0000	1	1	Kit, Replacement Solenoid 120VAC
	32283.0000	2	2	Screw, SST SLTD PNH M4 X 6MM
13	37297.1006	1	1	Elbow, .25 Flr X .75 Fthrd
14	41666.1002	1	-	Tube Assy,
15	21275.0003	1	1	Clamp
16	41595.1002	1	-	Flow Control Assembly (.195 GPM) (Includes items 17 thru 20)
17	41588.0000*	1	-	Housing Inlet (Not Available, Order item 14 or 16)
18	20526.2195	1	-	Flow Washer/O-ring Kit (.195 GPM)
19	24733.0006	1	-	Gasket, Flow Control
20	41589.0000*	1	-	Housing Outlet (Not Available, Order item 14 or 16)
21	00305.0001	-	1	Tube Assy.
22	34325.0035*	-	1	Tube, Silicone .375" ID x .375" OD x 11.0" LG, Braided (Order # 10 or 31)
23	20976.0007	1	-	Tube, Silicone, 11.0"
24	20976.0046	1	1	Tube, Silicone, 5.0"
25	45313.0000	1	-	Connector, Union .375x.375
26	20976.0025*	1	-	Tube, Silicone .375" ID x 3.0" (Order # 28 or 30)
27	36378.0001	1	-	Check Valve
28	46028.0000	1	-	Kit, Check Valve

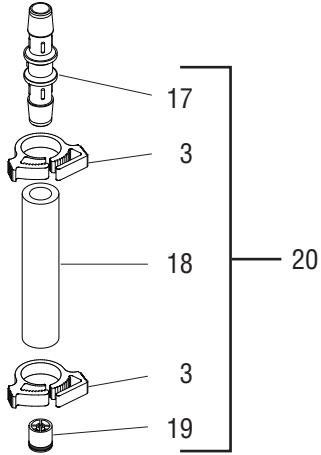
**The following items are not illustrated**

29	11707.1001	-	Tube, Silicone .250" I.D. x .50" O.D. x 3 Feet
	11707.1002	-	Tube, Silicone .250" I.D. x .50" O.D. x 10 Feet
	11707.1004	-	Tube, Silicone .250" I.D. x .50" O.D. x 250 Feet
30	20976.1001	-	Tube, Silicone .250" I.D. x .50" O.D. x 3 Feet
	20976.1002	-	Tube, Silicone .250" I.D. x .50" O.D. x 10 Feet
	20976.1004	-	Tube, Silicone .250" I.D. x .50" O.D. x 250 Feet
31	34325.1000	-	Tube, Braided .375ID x 1 Foot
	34325.1001	-	Tube, Braided .375ID x 3 Feet
	34325.1002	-	Tube, Braided .375ID x 10 Feet

\* Indicates the part number listed is for reference only. See DESCRIPTION for possible service replacement.

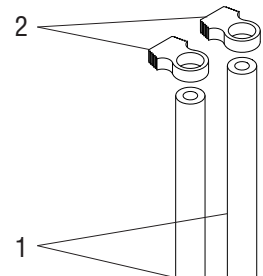
**LATER MODELS w/CHECK VALVE**

TO TANK

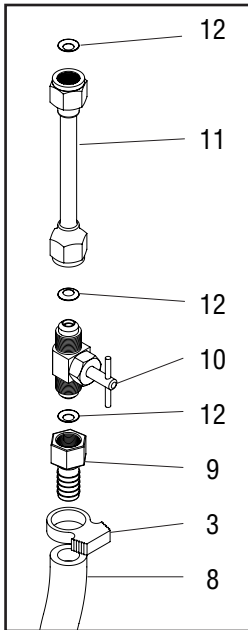


FROM INLET VALVE

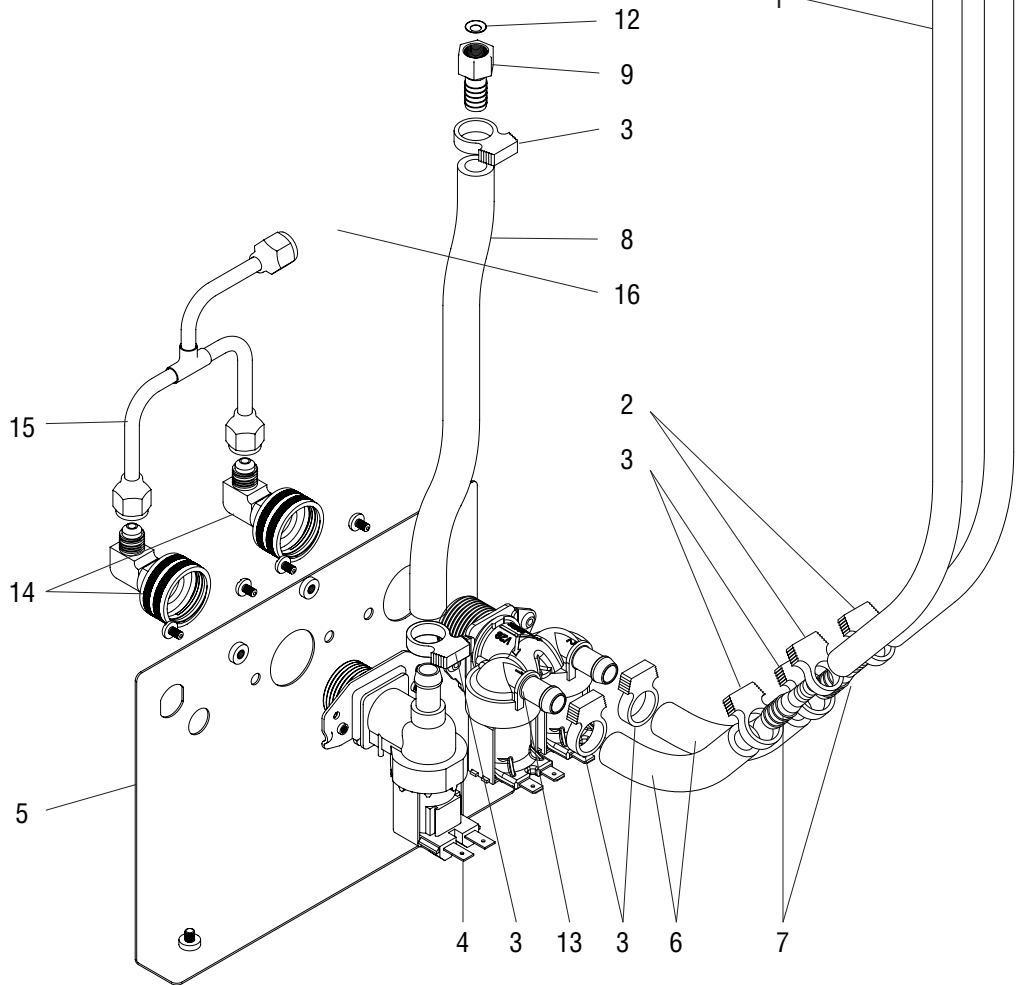
**TB6/TB6Q DILUTION**



**TB6Q TANK FILL**



**TB6  
TANK  
FILL**

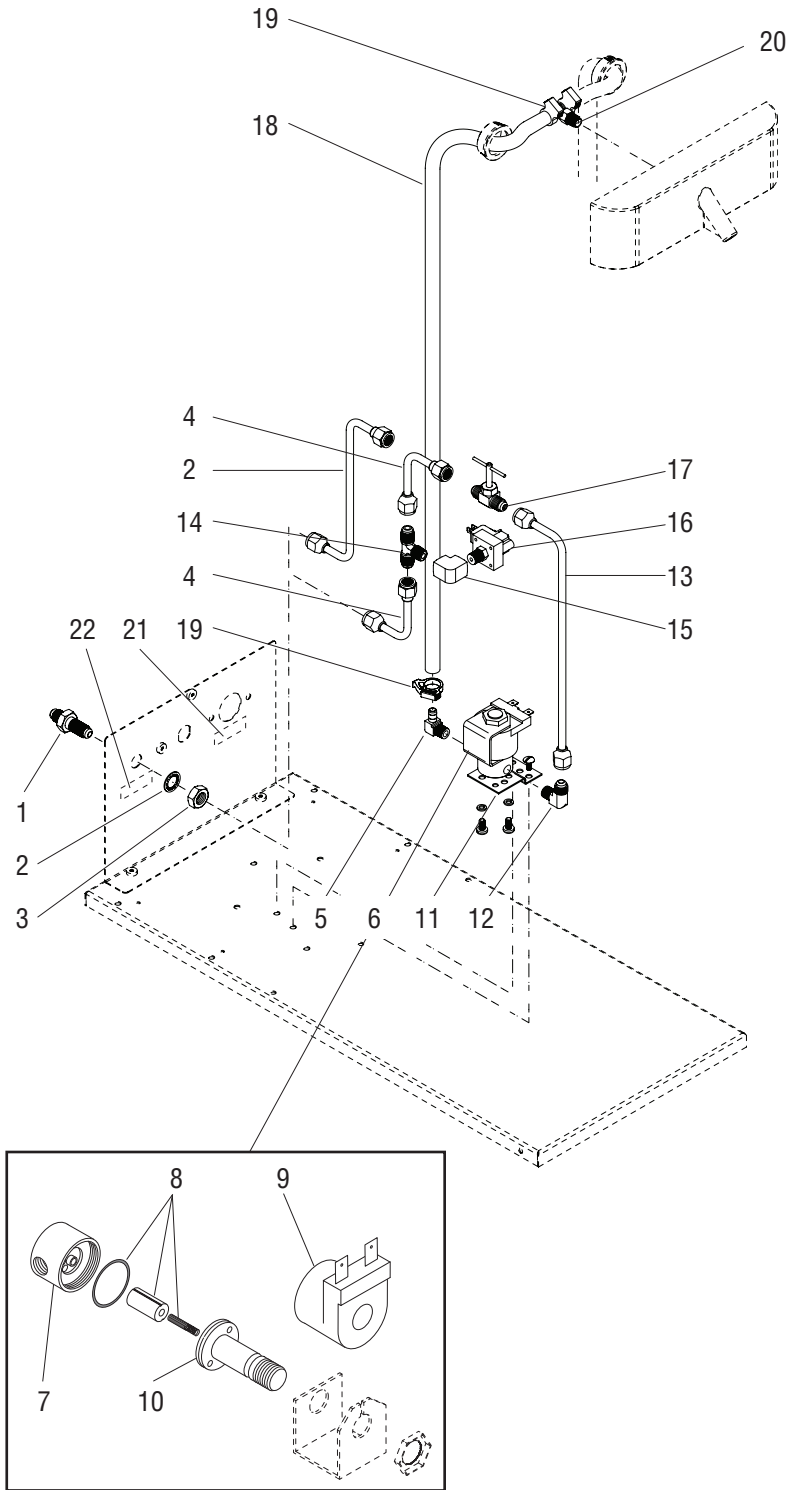


## FILL SOLENOID AND DILUTION LINES TB6/TB6Q

ITEM	PART NO.	QTY.	DESCRIPTION
1	11707.0004*	1	Tube, Silicone .250" I.D. x 18.0" LG (Order item 21)
2	12422.0000	4	Clamp, Hose - SNP 6
3	12422.0001	6	Clamp, Hose - SNP 10
4	42025.0000	1	Kit, Replacement Solenoid 120VAC
	32283.0000	2	Screw, SST SLTD PNH M4 X 6MM
5	36421.0009	1	Bracket, Bulkhead
6	20976.0046*	2	Tube, Silicone .375" ID x .625" OD x 5.0" LG, (Order item 22)
7	26443.0000	2	Reducer, Hose Barb .375" x .25"
8	20976.0001*	1	Tube, Silicone .375" ID x .625" OD x 9.5" LG, TB6 (Order item 22)
	20976.0064*	1	Tube, Silicone .375" ID x .625" OD x 5.7" LG, TB6Q (Order item 22)
9	40187.0001	1	Hose Adapter, .25" x .375" Barb
10	00484.0001	1	Needle Valve
11	40304.0000	1	Tube Assy, Needle Valve to Tank
12	24684.0000	1	Gasket, .25" Flare-Copper (2 Addl. used on TB6Q)
13	43041.0000	1	Kit, Replacement Solenoid 120VAC
	32283.0000	2	Screw, SST SLTD PNH M4 X 6MM
14	37297.1006	1	Elbow, .25" Flr X .75" Fthrd
15	41969.0000	1	Tube Assy,
16	00436.0001	1	Union, TN PL-.250 Flare Male
17	45313.0000	1	Connector, Union .375x.375
18	20976.0025*	1	Tube, Silicone .375" ID x 3.0" (Order item 20 or 22)
19	36378.0001	1	Check Valve
20	46028.0000	1	Kit, Check Valve

**The following items are not illustrated**

21	11707.1001	-	Tube, Silicone .250" I.D. x .50" O.D. x 36" LG
	11707.1002	-	Tube, Silicone .250" I.D. x .50" O.D. x 120" LG
22	20976.1000	-	Tube, Silicone .375" ID x 12.0" LG
	20976.1001	-	Tube, Silicone .375" ID x 36.0" LG
	20976.1002	-	Tube, Silicone .375" ID x 120.0" LG



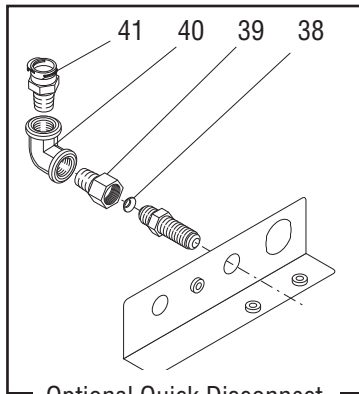
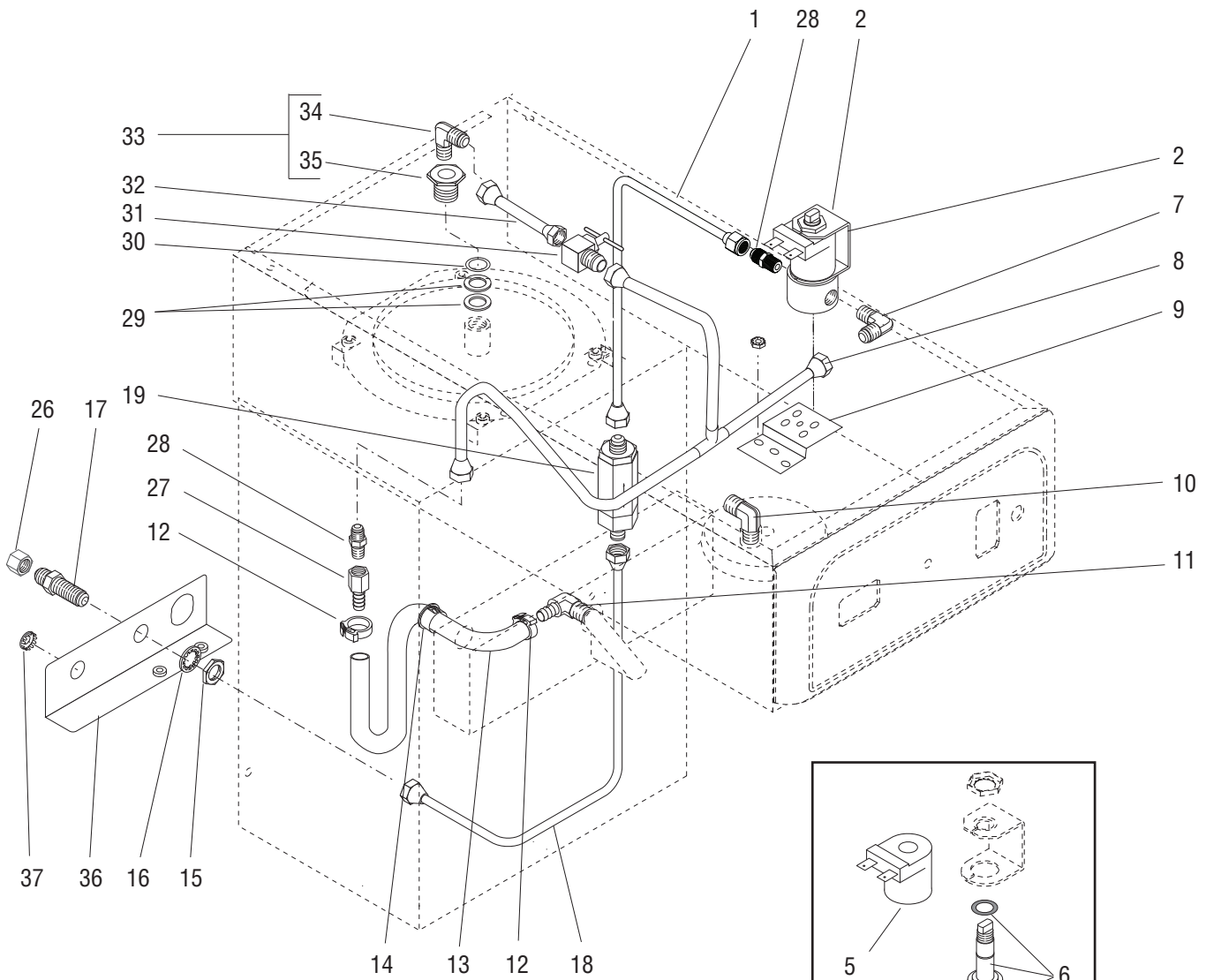


## SWEETNER SOLENOID AND LINES (OPTIONAL)

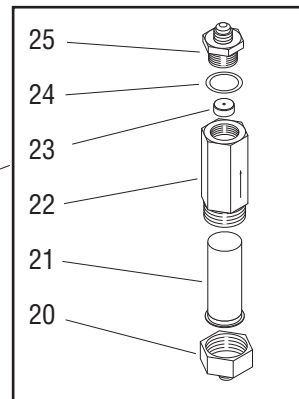
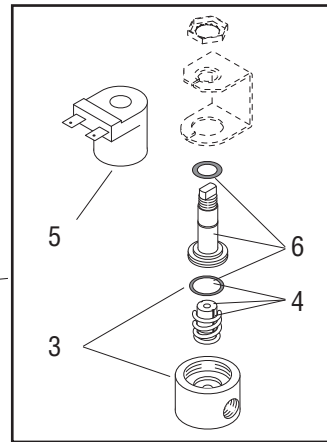
ITEM	PART NO.	QTY.	DESCRIPTION
1	00459.0000	1	Fitting, Bulkhead .250" Flare
2	01532.0000	1	Lockwasher, Internal Tooth .438"
3	00463.0000	1	Nut, Hex - Brass .438"-20
4	00310.0012	2	Tube Assy, .25FLR1.56X2
5	00464.0001	1	Elbow, Male-Tnpl.25 Barbx.
6	01085.0000	2	Solenoid Valve, 120V (Includes items 11 - 14)
	01327.0000	4	Screw, Pan Head #10-32 x .375"
	01502.0000	4	Lockwasher, Split #10
7	01079.0000	1	Solenoid Valve Base
8	01111.0000	1	Solenoid Valve Repair Kit (Includes Plunger, Seal and Spring)
9	01101.0000	1	Solenoid Valve Coil, 120V
10	01116.0000	1	Guide
11	07441.0000	2	Bracket
	01315.0000	4	Screw, Truss Head #8-32 x .38"
12	00400.0001	1	Elbow .25" Flare x .125"MPT
13	40203.0000	1	Tube Assy, Product Empty
14	00431.0001	1	Tee, Male Br-Tn Pl.25flrx
15	00435.0001	1	Elbow, Tin Pld .125npt F
16	38379.1000	1	Switch, Pressure-Low Sweet
17	00484.0001	1	Needle valve
18	11707.0013*	1	Tube, Silicone .250" I.D. x 28.0" LG (Order item 21)
19	12422.0000	2	Clamp, Hose - SNP 6
20	40784.0000	1	Tee, 1/8-27 Npt Hex Hd 1/4" Barb
21	26371.0000	1	Decal, Water Inlet (Models w/Sweetener)
22	26371.0001	1	Decal, Sweetener Inlet (Models w/Sweetener)

**The following items are not illustrated**

23	11707.1001	-	Tube, Silicone .250" I.D. x .50" O.D. x 36" LG
	11707.1002	-	Tube, Silicone .250" I.D. x .50" O.D. x 120" LG
24	40301.0002	1	Tube Assy, Product Empty (Includes 4-17)



Optional Quick Disconnect



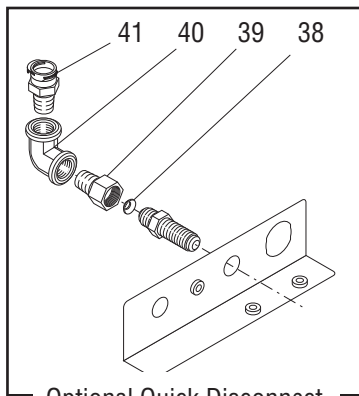
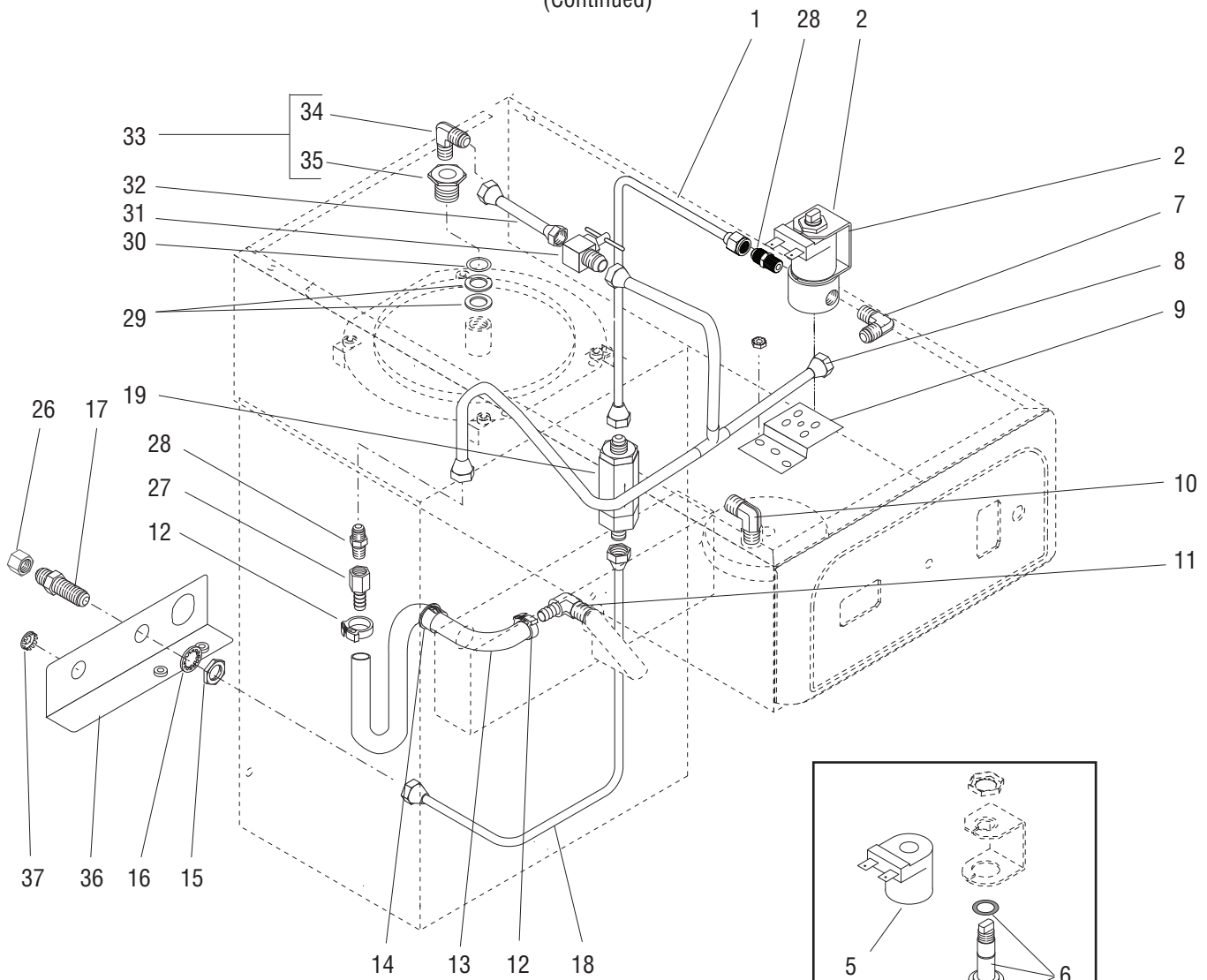
## TB3QA & TB3Q-LP PLUMBING

ITEM	PART NO.	QTY.	DESCRIPTION
1	36597.0005	1	Tube Assy, Flow Control to Solenoid
2	01085.0002	1	Solenoid Valve 120V (Includes Items 3-6)
	01975.0000	1	Solenoid Valve 240V (Includes Items 3-6)
	01327.0000	2	Screw PNH #10-32 x .375"
	01502.0000	2	Lockwasher #10
3	28479.0000	1	Base Kit 120V (Includes O-Ring)
	01079.0000	1	Base Kit 240V (Includes O-Ring)
4	01111.0002	1	Valve Repair Kit 120V (Includes Plunger, Spring & O-Ring)
	01111.0000	1	Valve Repair Kit 240V (Includes Plunger, Spring & O-Ring)
5	28480.0000	1	Valve Coil (120V)
	01100.0000	1	Valve Coil (240V)
6	28481.0000	1	Guide Kit 120V (Includes Washer & O-Ring)
	01116.0000	1	Sleeve Kit 240V
7	00400.0001	2	Elbow .25" Flare x .125" MPT
8	21179.0000	1	Tube Assy, Needle Valve to Dilution (See Item 44)
9	07441.0000	1	Bracket, Solenoid Valve Mounting
	00970.0000	2	Nut, Keps #8-32
10	21695.0001	1	Elbow .375" Compression x.125" MPT (Early Models)
11	40783.0000	1	Elbow, 1/8-27 NPT TO 1/4" BARB
12	12422.0000	2	Clamp
13	11707.0019*	1	Tube, Silicone .250" ID x 12.0" Lg (Order item 44)
14	01592.0001	1	Bushing, Snap 1.0" Dia
15	00463.0000	1	Nut, Hex .375" -20
16	01532.0000	1	Lockwasher, Internal Tooth - .438"
17	00459.0000	1	Fitting, Bulkhead
18	37093.0000	1	Tube Assy, Strainer/Flow Control to Bulkhead
19	37855.0750	1	Strainer/Flow Control .750 GPM (Includes Items 20-25)
20	22249.0000	1	Fitting, Flow Control Inlet
21	23721.0000	1	Screen
22	22312.0000*	1	Body (Not Serviced, Order Item 19)
23	37857.0750	1	Flow Washer/ Gasket Kit .750 GPM (Includes Item 24)
24	01155.0000	1	Gasket
25	36687.0000	1	Fitting, Flow Control Outlet

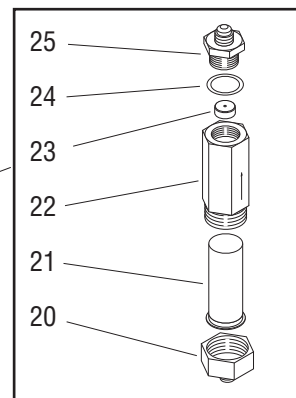
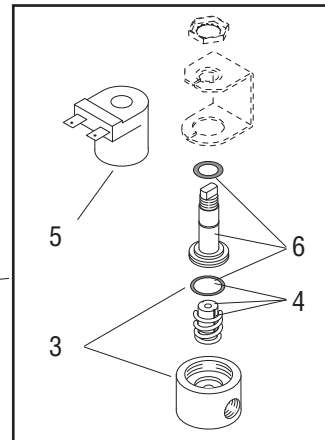
(Continued)

\* Indicates the part number listed is for reference only. See DESCRIPTION for possible service replacement.

(Continued)



Optional Quick Disconnect

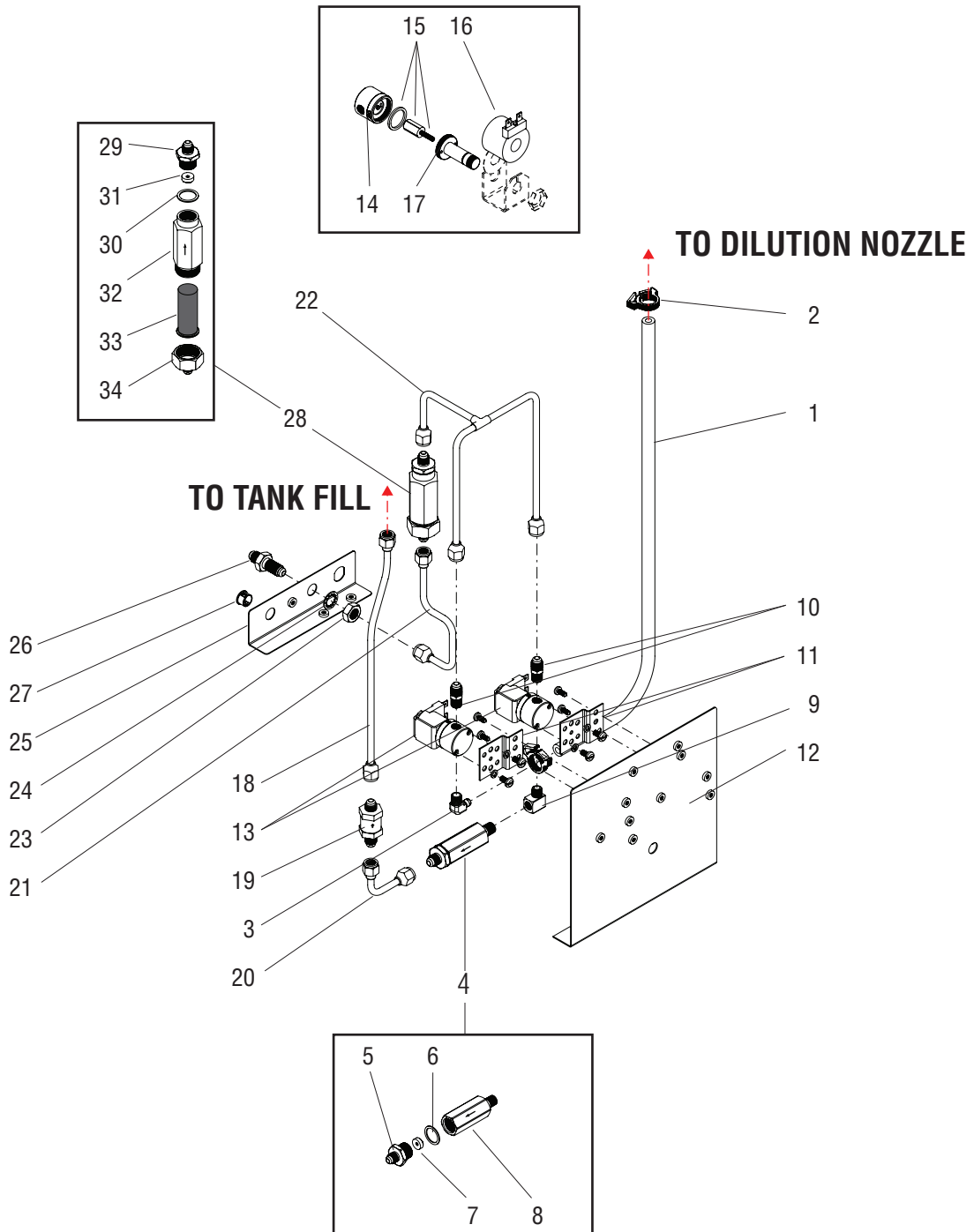


## TB3QA & TB3Q-LP PLUMBING

ITEM	PART NO.	QTY.	DESCRIPTION
26	22145.0000	1	Cap, Shipping
27	00469.0001	1	Connector, .125"-27 NPTF x .25" Barb (See Item 43)
28	00402.0001	2	Connector, .25" Flare x .125" NPT (See Item 43)
29	01201.0000	2	Gasket, Tank inlet
30	01540.0000	1	Washer
31	00484.0001	1	Needle Valve (See Item 43)
32	03535.0000	1	Tube Assy, Needle Valve to Tank (See Item 43)
33	00460.0500	1	Fitting, Tank Inlet (Includes Items 34 & 35)
34	00400.0001	1	Elbow, Male - TNPL .25" FLR x .12 MPT
35	00948.0000	1	Fitting, Inlet - .750" -16 x .12 FPT
36	36421.1002	1	Bracket, Bulkhead 120V
	36421.1003	1	Bracket, Bulkhead 230V
	02308.0000	2	Screw, Pan Head #8-32 x .38"
37	00669.0002	1	Plug (Units without Sweetner)
38	24684.0000	1	Gasket
39	00472.0001	1	Adapter
40	00473.0001	1	Elbow
41	00424.0000	1	Fitting, Quick Disconnect

**The following items are not illustrated**

43	03532.0000	-	Tube Assy, Manifold to Solenoid (Includes Items 8, 27, 28, 31 & 32)
44	11707.1000	-	Tube, Silicone .250" I.D. x .50" O.D. x 12" LG (Cut to Required Length)
	11707.1001	-	Tube, Silicone .250" I.D. x .50" O.D. x 36" LG (Cut to Required Length)
	11707.1002	-	Tube, Silicone .250" I.D. x .50" O.D. x 120" LG (Cut to Required Length)



## TB3A PLUMBING

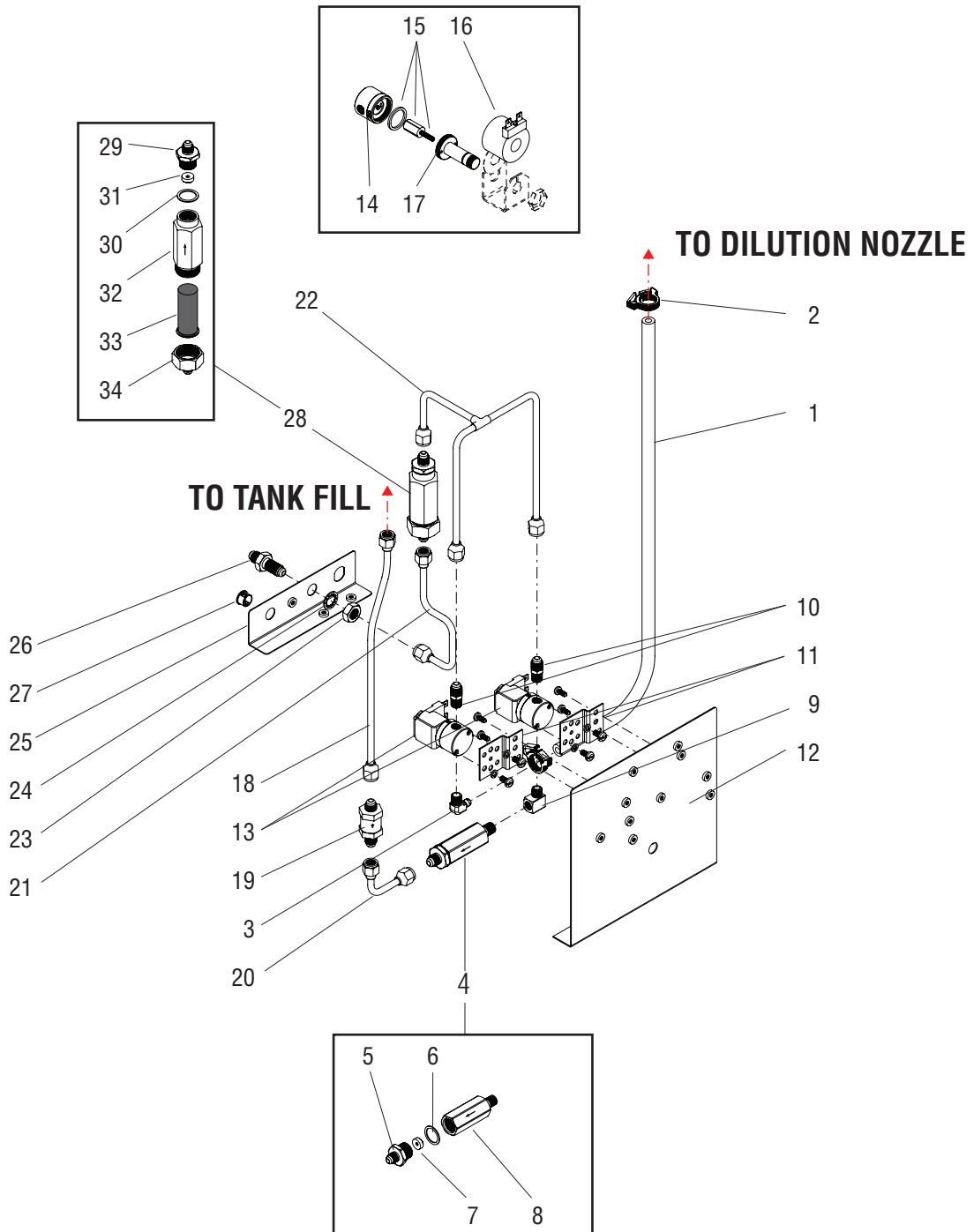
ITEM	PART NO.	QTY.	DESCRIPTION
1	11707.0005*	1	Tube, Silicone .250" I.D. x 31.0" LG (29" Trunk) (Order item 35)
	11707.0013*	1	Tube, Silicone .250" I.D. x 12.0" LG (25" Trunk) (Order item 35)
2	12422.0000	2	Clamp, Hose - Snap Type .47" x .54" I.D.
3	00464.0001	1	Elbow, .250" Barb x .125" MPT (1 Included in dilution nozzle kit)
4	20528.1195	1	Flow Control Assembly (.195 GPM) (Includes items 4 thru 8)
5	01154.0001	1	Fitting, Flow Control Outlet
6	01155.0000	1	Gasket, Flow Control
7	20526.1195	1	Flow Washer/Gasket Kit (.195 GPM) (Includes item 6)
8	20527.0001*	1	Body, Flow Control (Not Available. Order item 4)
9	00432.0001	1	Elbow, ST-TN PL.12NPT MALE-FEM
10	00402.0001	1	Connector, Male-Tn .25FLR x .12MP
11	07441.0000	2	Bracket
	01315.0000	4	Screw, Truss Head #8-32 x .38"
12	36420.0003	1	Bracket
	02308.0000	2	Screw, Pan Head #8-32 x .38"
13	01975.0000	2	Solenoid Valve, 120V
	01327.0000	4	Screw, Pan Head #10-32 x .375"
	01502.0000	4	Lockwasher, Split #10
14	01079.0000	1	Solenoid Valve Base
15	01111.0000	1	Solenoid Valve Repair Kit (Includes Plunger, Seal and Spring)
16	01100.0000	1	Solenoid Valve Coil 240V
17	01116.0000	1	Sleeve Assy
18	36596.0002	1	Tube Assembly, Check Valve to Tank (29" Trunk)
	36596.0003	1	Tube Assembly, Check Valve to Tank (25" Trunk)
19	01171.0001	1	Valve, Check
	01170.0000	1	Check Valve Repair Kit (Contains a gasket, spring & seat assembly)
20	00310.0002	1	Tube Assembly, Flow Control to Check Valve
21	37033.0000	1	Tube Assembly, Bulkhead to Strainer
22	38460.0000	1	Tube Assembly, Strainer to Solenoid Valves
23	00463.0000	1	Nut, Hex - Brass .438"-20
24	01532.0000	1	Lockwasher, Internal Tooth .438"
25	36421.0003	1	Bracket, Bulkhead
	02308.0000	2	Screw, Pan Head #8-32 x .38"

(Continued)

\* Indicates the part number listed is for reference only. See DESCRIPTION for possible service replacement.



(Continued)



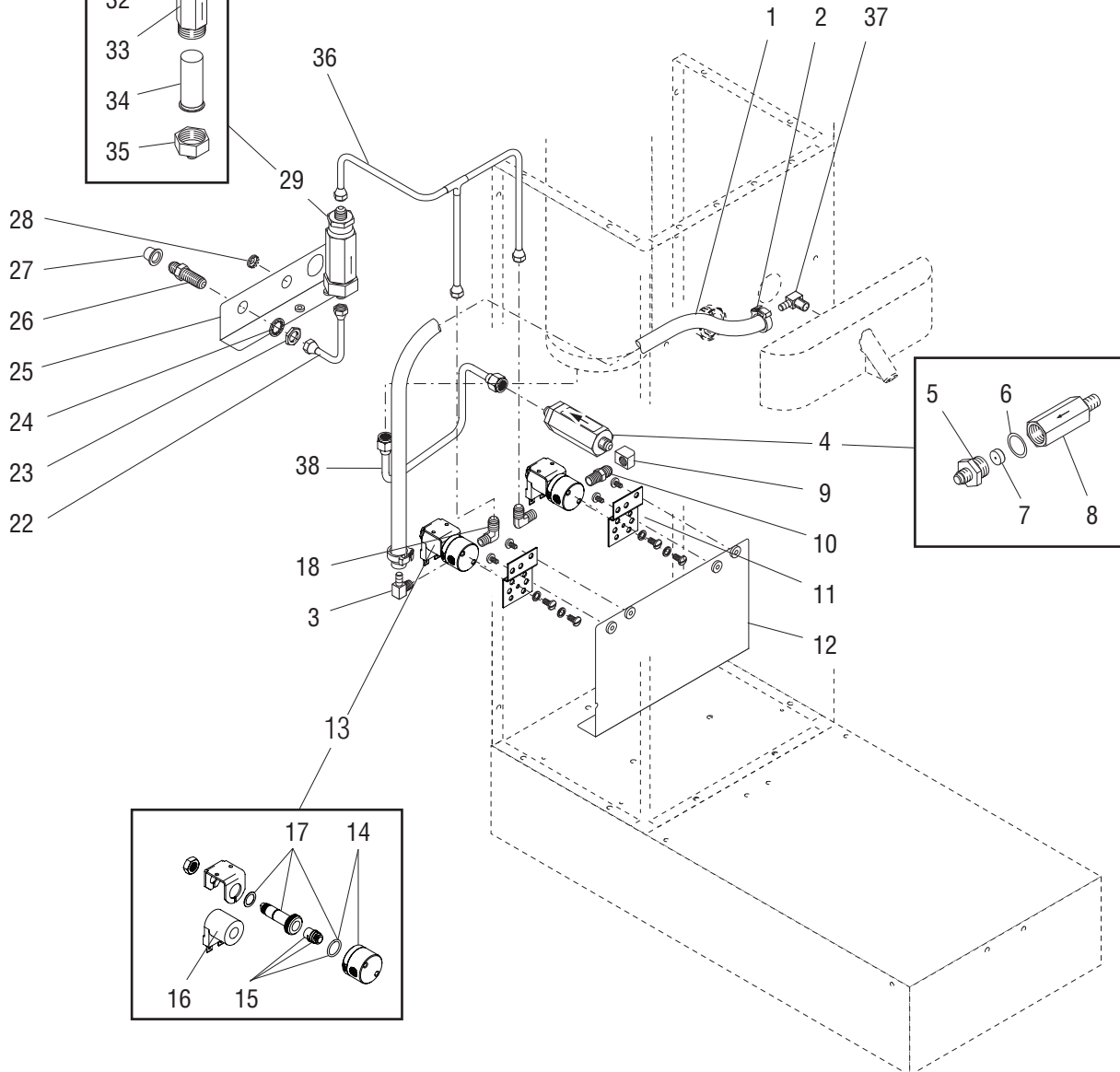
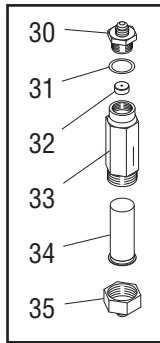
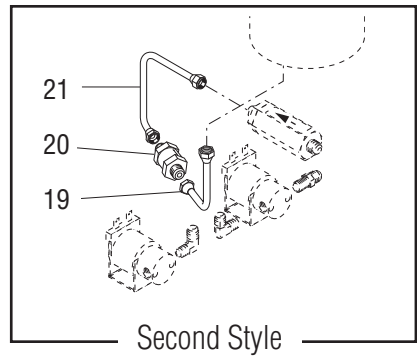
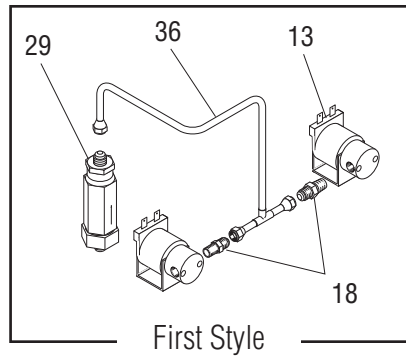
## TB3A PLUMBING

ITEM	PART NO.	QTY.	DESCRIPTION
26	00459.0000	1	Fitting, Bulkhead .250" Flare
27	00669.0002	1	Plug, Hole .50" Dia.
28	37855.0750	1	Strainer/Flow Control Assembly (Includes items 30 thru 35)
29	36687.0000	1	Fitting, Flow Control Outlet
30	01155.0000	1	Gasket, Flow Control
31	37857.1750	1	Flow Washer/Gasket Kit (Includes item 31)
32	22312.0000*	1	Body (Not Available. Order item 29)
33	23721.0000	1	Screen
34	22249.0000	1	Fitting, Flow Control Inlet

**The following items are not illustrated**

35	11707.1000	-	Tube, Silicone .250" I.D. x .50" O.D. x 12" LG
	11707.1001	-	Tube, Silicone .250" I.D. x .50" O.D. x 36" LG
	11707.1002	-	Tube, Silicone .250" I.D. x .50" O.D. x 120" LG

\* Indicates the part number listed is for reference only. See DESCRIPTION for possible service replacement.

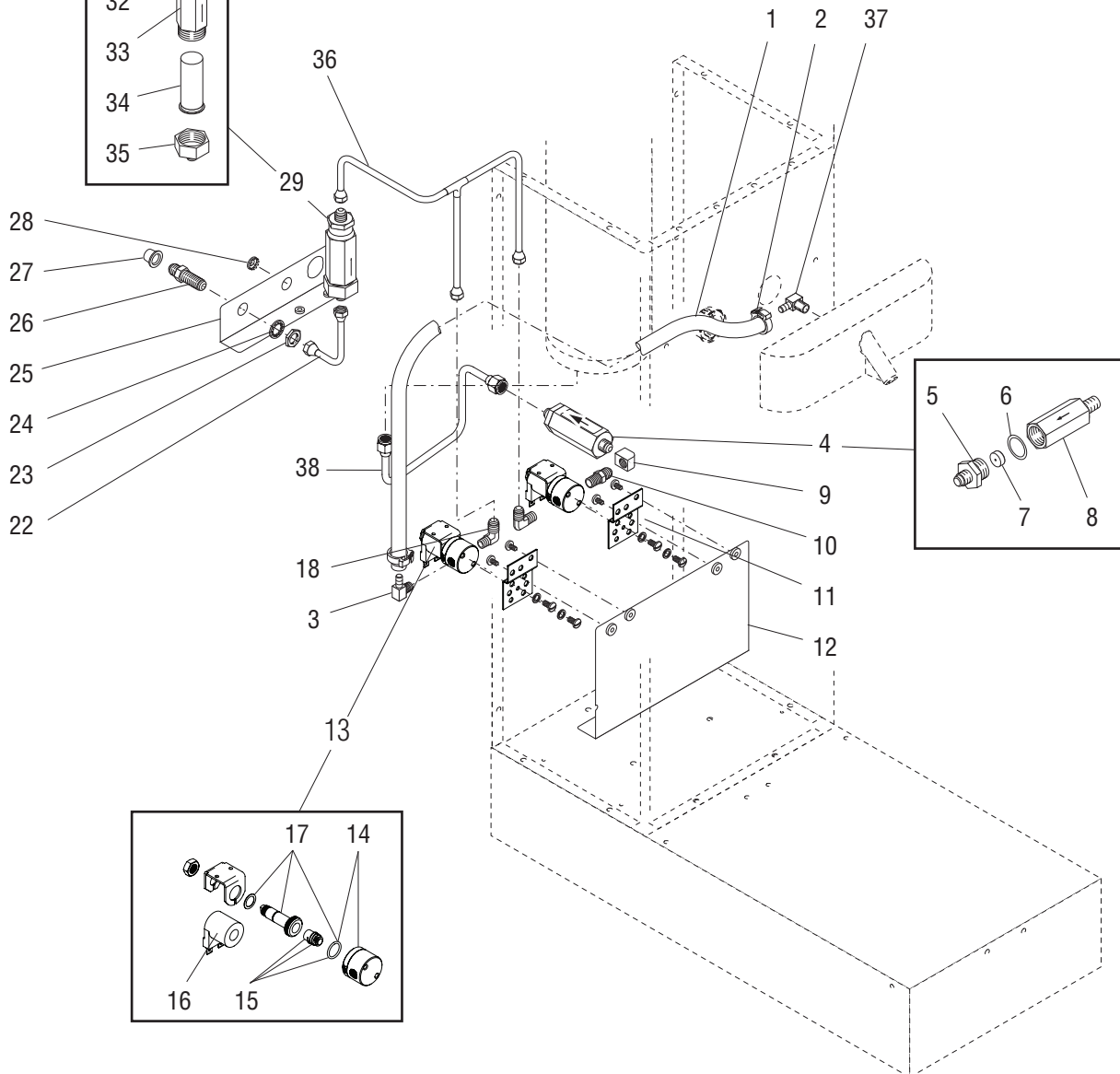
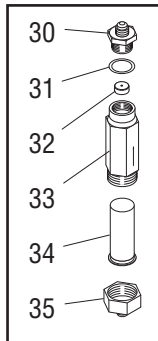
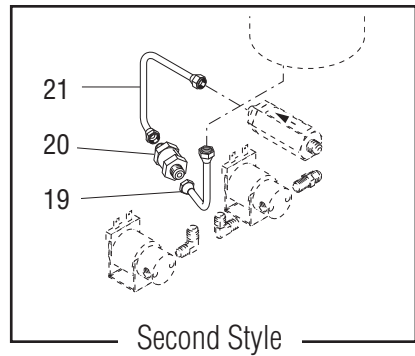
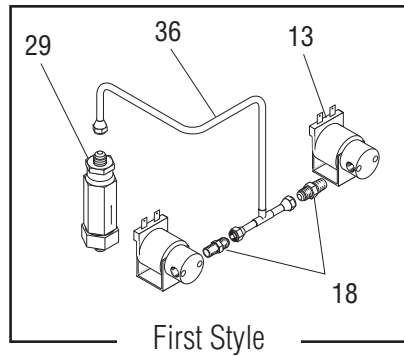


## TB3-LP PLUMBING

ITEM	PART NO.	QTY.	DESCRIPTION
1	11707.0008*	1	Tube, Silicone .250" I.D. x 31.0" LG (Order item 37)
2	12422.0000	2	Clamp, Hose - Snap Type .47"-.54" I.D.
3	00464.0001	1	Elbow, .250" Barb x .125" MPT (1 Included in dilution nozzle kit)
4	20528.1195	1	Flow Control Assembly (.195 GPM) (Includes items 4 thru 8)
5	01154.0001	1	Fitting, Flow Control Outlet
6	01155.0000	1	Gasket, Flow Control
7	20526.1195	1	Flow Washer/Gasket Kit (.195 GPM) (Includes item 6)
8	20527.0001*	1	Body, Flow Control (Not Available. Order item 4)
9	00435.0001	1	Elbow, .125" NPT Female
10	00412.0001	1	Nipple, .125" NPT
11	07441.0000	2	Bracket
	01315.0000	4	Screw, Truss Head #8-32 x .38"
12	38770.0000	1	Bracket
	02308.0000	2	Screw, Pan Head #8-32 x .38"
13	01085.0002	2	Solenoid Valve, 120V (Includes items 14 - 17)
	01327.0000	4	Screw, Pan Head #10-32 x .375"
	01502.0000	4	Lockwasher, Split #10
14	28479.0000	1	Solenoid Valve Base
15	01111.0002	1	Solenoid Valve Repair Kit (Includes Plunger, Seal and Spring)
16	28480.0000	1	Solenoid Valve Coil 120V
17	28481.0000	1	Guide
18	00402.0001	2	Connector, .25" Male Flare x .125" NPT (Early Models)
	00400.0001	2	Elbow, Male .25" Flare x .125" MPT (Late Models)
19	00310.0013	1	Tube Assembly, Check Valve to Tank
20	01171.0001	1	Valve, Check
	01170.0000	1	Check Valve Repair Kit (Contains a gasket, spring & seat assembly)
21	38880.0000	1	Tube Assembly, Flow Control to Check Valve
22	00310.0014	1	Tube Assembly, Bulkhead to Strainer
23	00463.0000	1	Nut, Hex - Brass .438"-20
24	01532.0000	1	Lockwasher, Internal Tooth .438"
25	36421.0005	1	Bracket, Bulkhead
	02308.0000	2	Screw, Pan Head #8-32 x .38"
26	00459.0000	1	Fitting, Bulkhead .250" Flare
27	22145.0000*	1	Cap (For shipping purposes only)

(Continued)

(Continued)

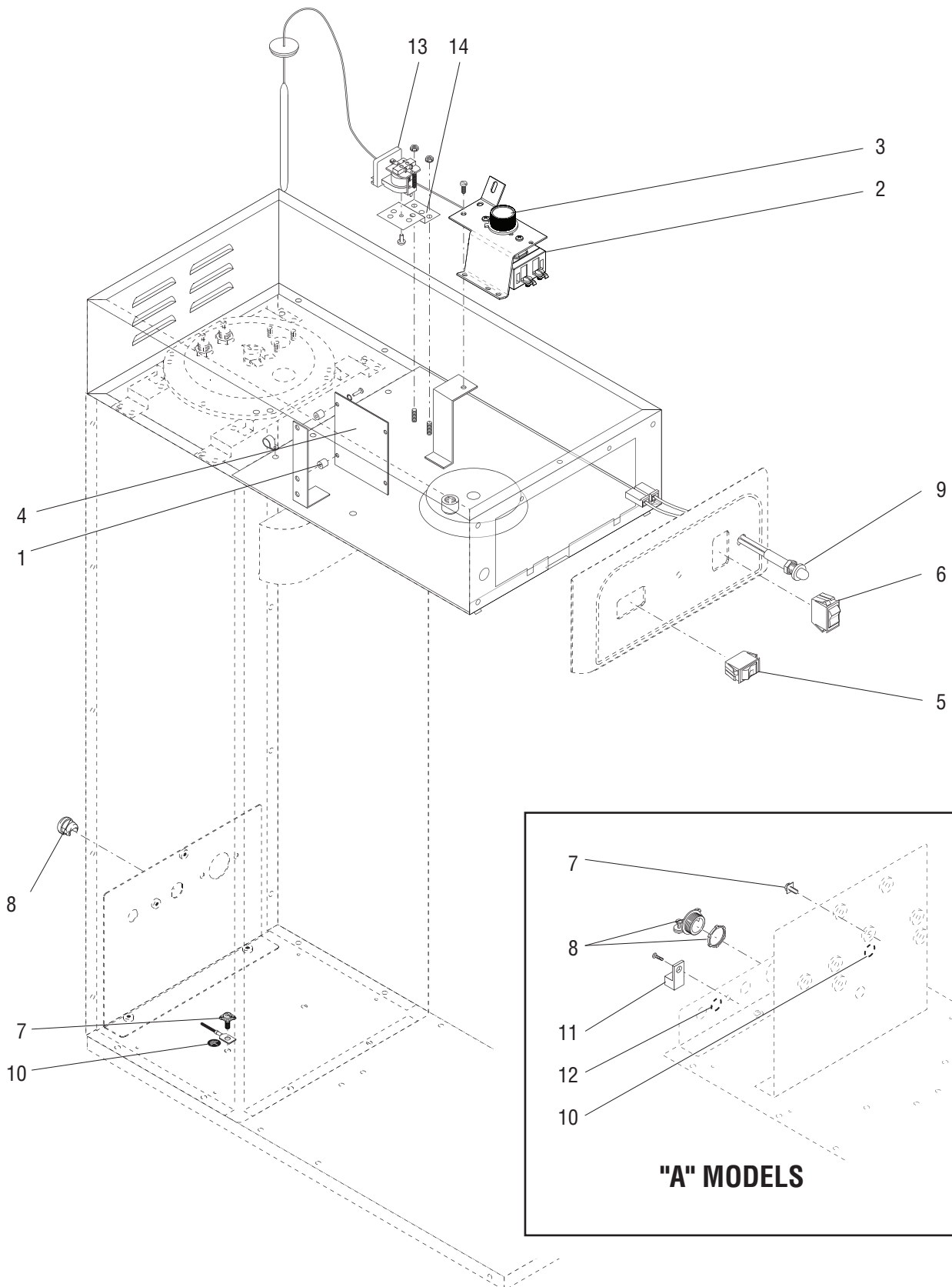


## TB3-LP PLUMBING

ITEM	PART NO.	QTY.	DESCRIPTION
28	00669.0002	1	Plug, Hole .50" Dia.
29	37855.0750	1	Strainer/Flow Control Assembly (Includes items 30 thru 35)
30	36687.0000	1	Fitting, Flow Control Outlet
31	01155.0000	1	Gasket, Flow Control
32	37857.1750	1	Flow Washer/Gasket Kit (Includes item 31)
33	22312.0000*	1	Body (Not Available. Order item 29)
34	23721.0000	1	Screen
35	22249.0000	1	Fitting, Flow Control Inlet
36	38879.0001	1	Tube Assembly, Strainer to Solenoid Valves
37	40783.0000	1	Elbow, 1/8-27 NPT TO 1/4" BARB

**The following items are not illustrated**

38	11707.1001	-	Tube, Silicone .250" I.D. x .50" O.D. x 36" LG
	11707.1002	-	Tube, Silicone .250" I.D. x .50" O.D. x 120" LG
39	39782.0000	1	Tube Assembly, Flow Control to Tank (Third Style Only)





## ELECTRICAL AND OPERATING CONTROLS

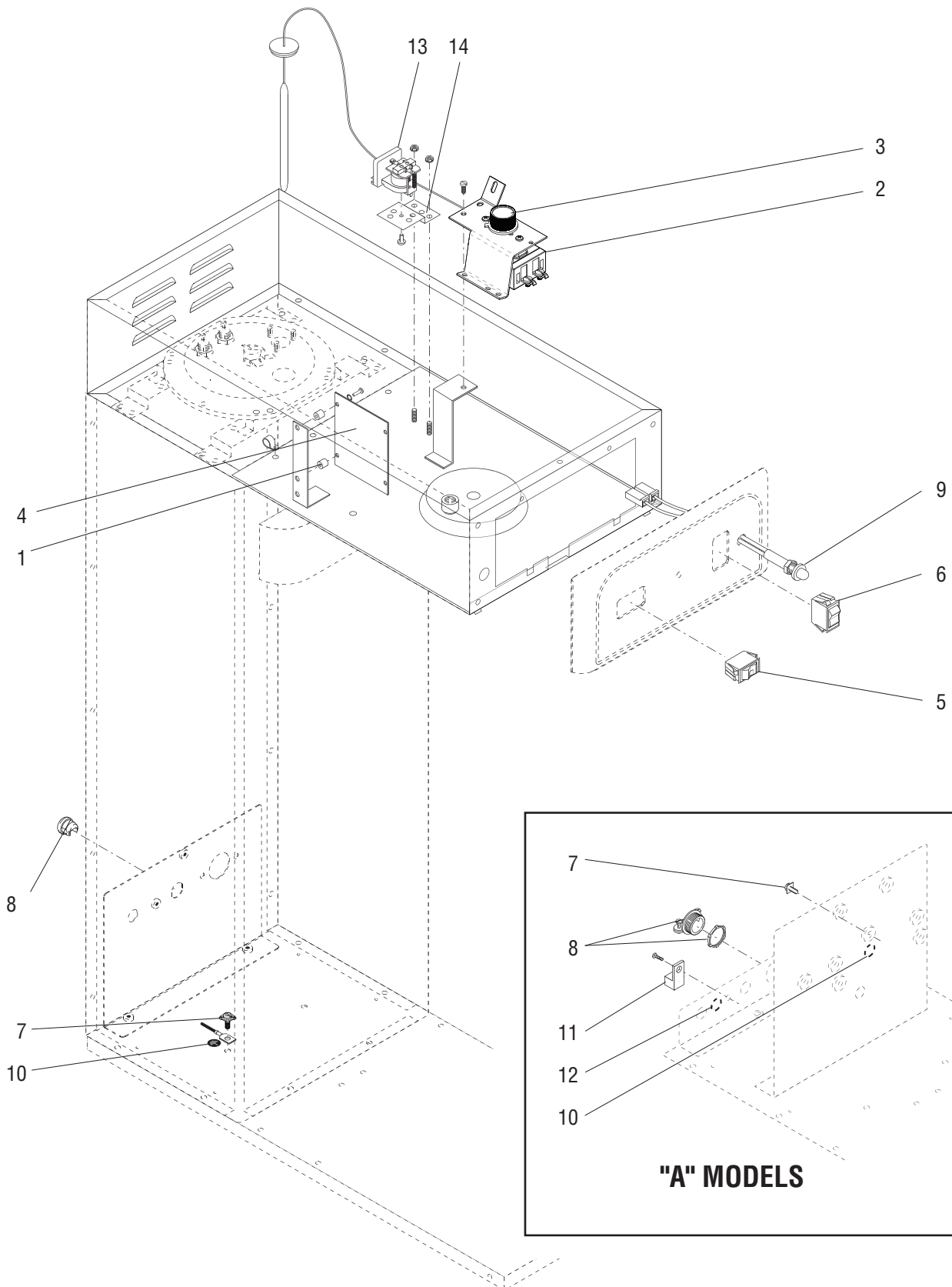
ITEM	PART NO.	QTY.	DESCRIPTION
1	01533.0000	4	Spacer, .171" I.D. x .375" O.D. x .375" LG
2	03024.0005	1	Thermostat Kit 120V (Includes item 3)
	01347.0000	1	Screw, Truss Head Serrated #6-32 x .375"
	10003.0000	1	Tag, Thermostat
	07073.1000	1	Grommet
3	00720.0000	1	Knob, Thermostat
4	40384.1000	1	Timer, Dual - 120V/230V/240V (TB3/TB3-LP/TB6 Only)
	32400.0002	1	Digital Timer, Brew - 100V/120V (RoHS) (All "Q" Models ONLY)
	32400.0003	1	Digital Timer, Brew - 230V/240V (RoHS) (All "Q" Models ONLY)
	01388.0000	2	Screw, Pan Head #6-32 x .75"
	01510.0000	2	Lockwasher, External Tooth #6
5	37080.0000	1	Switch, ON/OFF (Black) - 100V & 120V (TB3/TB3Q)
	03356.0003	1	Switch, (Black) (UNSWEET/OFF/SWEET TB3/TB3Q) (Left/Right TB6/TB6Q)
6	37079.0000	1	Switch, Start (Black) - 100V & 120V (TB3/TB3Q & TB6/TB6Q)
	37080.0001	1	Switch, Start (Green Ready Light) - 100V & 120V (TB3/TB3Q)
7	37804.0000	1	Screw, Power Cord Ground - Pan Head W/Washer #8-32 x .50"
8	00707.0000	1	Bushing, Strain Relief 120V
	01685.0000	1	Connector, Power Cord w/Nut (230V)
9	12984.0011	1	Red Light (Models with Sweetener Empty Light)
10	00824.0000	2	Decal, Ground
11	27705.0000	1	Terminal Lug (CE Only)
	02308.0000	4	Screw, Pan Head #8-32 x .38"
12	00824.0001	1	Decal, Equipotentiality (CE Only)
13	02618.0000	1	Relay, 120V SPDT (Models With Sweetener)
	02328.0000	1	Screw, Pnh Slted 6-32x.375"
14	07441.0000	1	Bracket, Solenoid Valve Mounting
	00970.0000	2	Nut, Keps #8-32

**The following items are not illustrated**

15	21000.0725	1	Lead, Warmer Blanket to Main Harness 18AWG BLK 12.0" LG
	21001.0723	1	Lead, Warmer Blanket to Main Harness 18AWG WHI 12.0" LG
16	01637.0000	1	Cord, Power 120V & 100V
	27728.0001	1	Cord, Power 230V
17	03739.0000	1	Wiring Harness, Main 120V & 100V (Early TB3/TB3-LP w/2 Timer Boards )
	03739.0006	1	Wiring Harness, Main 120V & 100V (Current TB3/TB3-LP w/40384.#### Timer)
	03739.0005	1	Wiring Harness, Main 120V (TB6)
	03740.0001	1	Wiring Harness, Main 230V (TB3A Only)
	10301.0003	1	Wiring Harness, Main 230V (TB3QA Only)
	10301.0008	1	Wiring Harness, Main 120V (TB3Q Only)
	10301.0007	1	Wiring Harness, Main 120V (TB6Q Only)

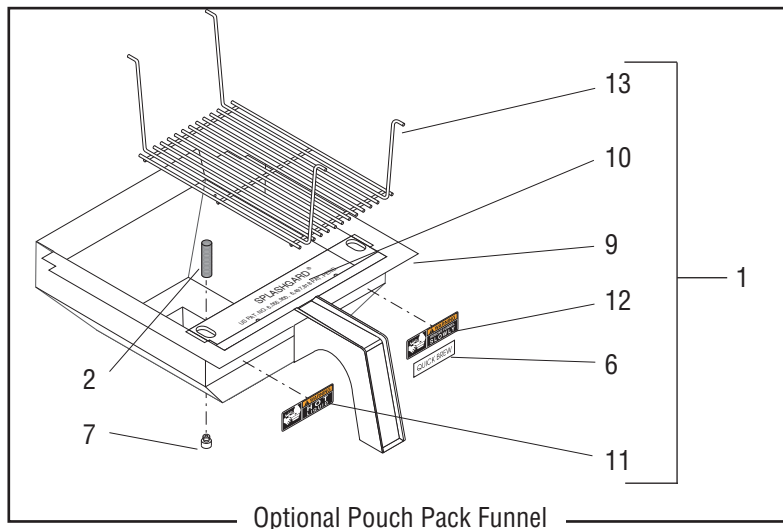
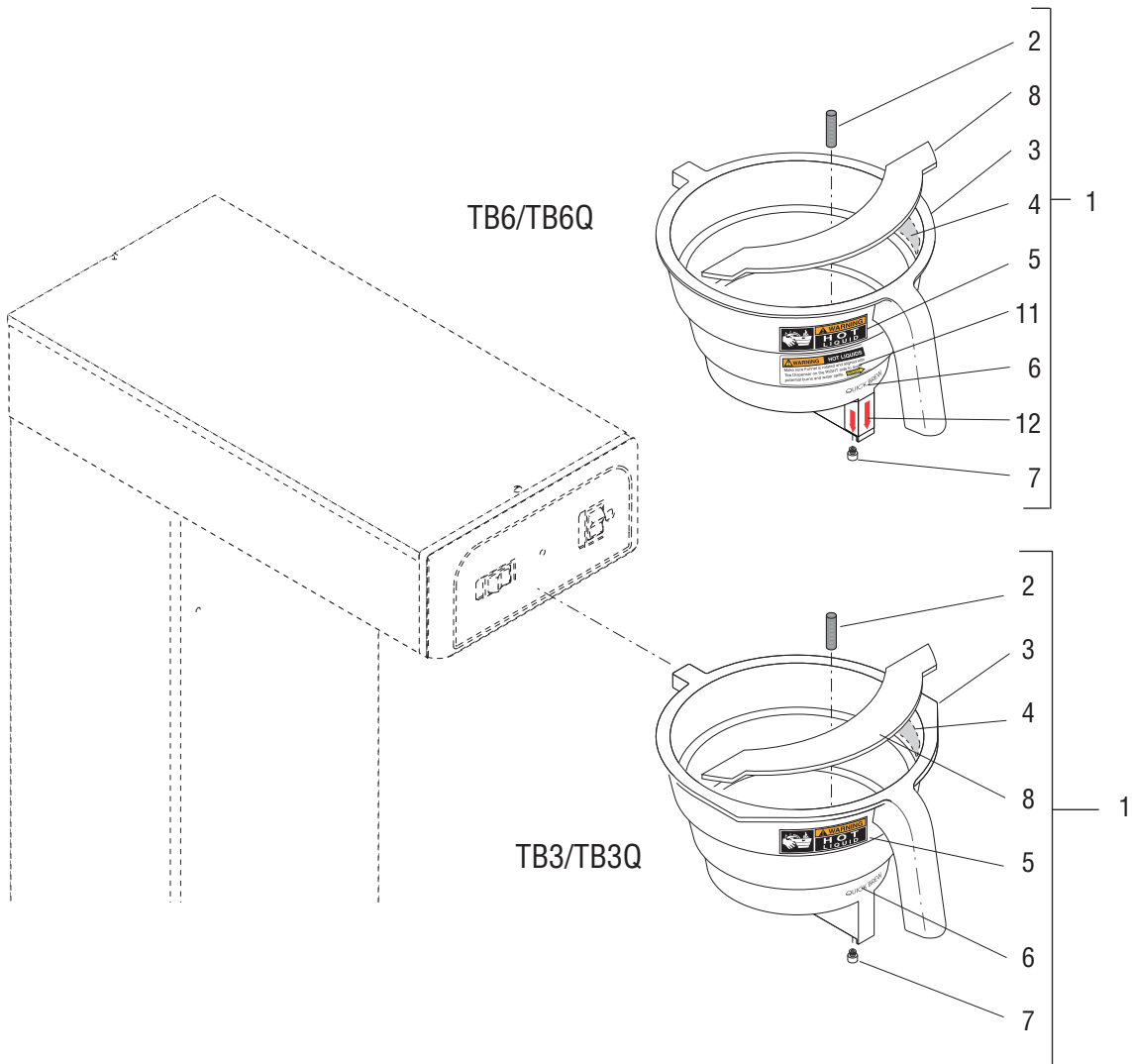
(Continued)

\* Indicates the part number listed is for reference only. See DESCRIPTION for possible service replacement.



## ELECTRICAL AND OPERATING CONTROLS

ITEM	PART NO.	QTY.	DESCRIPTION
18	38380.0000	1	Wiring Harness, Relay-Pressure Switch-Timer (Models w/Low Swtnr Sensor)
19	36451.0002	1	Wiring Harness, Sweetener Solenoid to Dilution Solenoid to Selector Switch
20	40406.0000	1	Lead 16AWG BLU/BLK
	40406.0001	1	Lead 16AWG BLK
21	40406.0002	1	Harness, T. Stat/Limit/Ready Light Start Switch (BLU/BLK) (TB3/TB3Q)
	40406.0003	1	Harness, T. Stat/Limit/Ready Light Start Switch (BLK) (TB3/TB3B/TB3Q)
22	06064.0000	1	Label, Cord Warning
23	28173.0004	1	Thermal Cut Off, WHI 14.0" - 230V 144° C
	04776.0001	1	Thermal Cut Off, 4.5" - 230V 144° C



## FUNNEL ASSEMBLIES

ITEM	PART NO.	QTY.	DESCRIPTION
1	03021.0004	1	Funnel Assembly, Smoke - <b>STANDARD BREW</b> (Includes items 2 thru 8) TB3
	03021.0005	1	Funnel Assembly, Smoke - <b>QUICK BREW</b> (Includes items 2 thru 8) TB3Q
	03021.0013	1	Funnel Assembly, Smoke - STANDARD BREW (Includes items 2 thru 8) TB6
	03021.0014	1	Funnel Assembly, Smoke - QUICK BREW (Includes items 2 thru 8) TB6Q
	35282.0001	1	Funnel Assembly, Smoke - Pouch Pack <b>QUICK</b> (Includes 2, 6, 7, 9-13) TB3Q
	35282.0002	1	Funnel Assembly, Smoke - Pouch Pack <b>STANDARD</b> (Includes 2, 6, 7, 9-13) TB3
2	03284.0000	1	Adaptor W/Screen, Funnel (All Models)
3	33129.0000*	1	Funnel, Brew Tea - Smoke TB3/TB3Q (Not Available. Order item 1)
	33128.0004*	1	Funnel, Brew Tea - Smoke TB6/TB6Q (Not Available. Order item 1)
4	03408.0000	1	Decal, Caution - Remove Funnel (All Models)
5	03409.0000	1	Decal, Caution - Hot Liquid (All Models)
6	03536.0000	1	Decal, Quick Brew (TB3Q/TB6Q)
7	03407.0000	1	Funnel Tip, .082" Dia <b>STANDARD BREW</b> (See item 16)
	03407.0002	1	Funnel Tip, .114" Dia <b>QUICK BREW</b> (See Item 16)
8	32965.0003	1	Splashgard TB6/6Q
9	34439.0003*	1	Funnel, Pouch Pack - Smoke (Not Available. Order item 1)
10	34438.0000	1	Splashgard, Pouch Pack
11	03408.0002	1	Decal, Warning - Remove Funnel
12	03409.0002	1	Decal, Warning - Hot Liquid
13	29916.0000	1	Insert, Wire Form - Pouch Pack
14	41995.0000	1	Decal, Warning Rotate Funnel (TB6/6Q)
15	41996.0000	1	Decal, Funnel Dispense Tip Locator (TB6/6Q)

**The following items are not illustrated**

16	01037.0002	-	Funnel Tip & Screen Kit .082" Dia <b>STANDARD BREW</b> (Includes items 2 & 7)
	01037.0003	-	Funnel Tip & Screen Kit .114" Dia <b>QUICK BREW</b> (Includes items 2 & 7)

NUMERICAL INDEX

PART NO.	PAGE NO.	PART NO.	PAGE NO.	PART NO.	PAGE NO.	PART NO.	PAGE NO.
00305.0001.....	13,15	01201.0000.....	23	05515.0000.....	11	26371.0000.....	19
00310.0002.....	25	01308.0003.....	5	05518.0000.....	11	26371.0001.....	19
00310.0012.....	19	01311.0001.....	5,7,,9	06064.0000.....	35	26443.0000.....	13,15,17
00310.0013.....	29	01311.0004.....	7	07073.1000.....	33	26528.0001.....	9
00310.0014.....	29	01315.0000.....	19,25,29	07441.0000.....	19,21,25	27432.0000.....	5
00400.0001.....	19,21,23,29	01317.0003.....	9	07441.0000.....	29,33	27705.0000.....	33
00402.0001.....	23,25,29	01327.0000.....	19,21,25,29	10003.0000.....	33	27728.0001.....	33
00406.0001.....	11	01347.0000.....	33	10301.0003.....	33	28173.0004.....	35
00412.0001.....	29	01388.0000.....	33	10301.0007.....	33	28479.0000.....	21,29
00424.0000.....	23	01502.0000.....	5,19,21,25,29	10301.0008.....	33	28480.0000.....	21,29
00431.0001.....	19	01510.0000.....	33	11707.0004.....	17	28481.0000.....	21,29
00432.0001.....	25	01532.0000.....	19,21	11707.0005.....	25	29329.1000.....	11
00435.0001.....	19,29	01532.0000.....	25,29	11707.0007.....	13,15	29916.0000.....	37
00436.0001.....	17	01533.0000.....	33	11707.0008.....	29	32283.0000.....	13,15,17
00445.0001.....	13	01540.0000.....	23	11707.0013.....	13,15,19,25	32400.0002.....	33
00459.0000.....	19,21,27,29	01592.0001.....	7,21	11707.0019.....	21	32400.0003.....	33
00460.0500.....	23	01637.0000.....	33	11707.1000.....	23	32540.0000.....	5
00463.0000.....	19,21,25,29	01685.0000.....	33	11707.1000.....	27	32580.....	11
00464.0001.....	19,25,29	01975.0000.....	21,25	11707.1001.....	13,15,17,19	32591.0031.....	11
00469.0001.....	23	02308.0000.....	5,11,23	11707.1001.....	23,27,31	32591.1002.....	11
00472.0001.....	23	02308.0000.....	25,29,33	11707.1002.....	13,15,17,19	32965.0003.....	37
00473.0001.....	23	02328.0000.....	33	11707.1002.....	23,27,31	33027.0001.....	13
00484.0001.....	13,15,17	02332.0002.....	9	11707.1004.....	15	33128.0004.....	37
00484.0001.....	19,23	02332.0005.....	5	12422.0000.....	13,15,17,19	33129.0000.....	37
00620.0000.....	11	02618.0000.....	33	12422.0000.....	21,25,29	34325.0003.....	15
00656.0001.....	5	03021.0004.....	37	12422.0001.....	13,15,17	34325.0033.....	13
00658.0000.....	7	03021.0005.....	33,37	12422.0005.....	15	34325.0035.....	15
00669.0002.....	23,27,31	03021.0013.....	37	12984.0011.....	33	34325.1000.....	13,15
00707.0000.....	33	03021.0014.....	37	20315.0001.....	11	34325.1001.....	13,15
00720.0000.....	33	03068.0000.....	11	20526.1195.....	13,25,29	34325.1002.....	13,15
00824.0000.....	33	03070.1000.....	11	20526.2195.....	15	34438.0000.....	37
00824.0001.....	33	03125.0002.....	11	20527.0001.....	13,25,29	34439.0003.....	37
00831.0000.....	5	03284.0000.....	37	20528.1195.....	13,25,29	34948.1002.....	7
00908.0000.....	11	03297.1000.....	11	20976.0001.....	17	34948.1003.....	7
00942.0000.....	11	03299.1000.....	11	20976.0007.....	15	35282.0001.....	37
00943.0000.....	11	03356.0003.....	33	20976.0025.....	15,17	35282.0002.....	37
00948.0000.....	23	03370.1002.....	11	20976.0046.....	15,17	36353.1011.....	5
00970.0000.....	9,21,33	03407.0000.....	37	20976.0064.....	17	36353.1012.....	5
01037.0002.....	37	03407.0002.....	37	20976.1000.....	17	36353.1013.....	5
01037.0003.....	37	03408.0000.....	37	20976.1001.....	15,17	36353.1014.....	5
01075.0000.....	11	03408.0002.....	37	20976.1002.....	15,17	36353.1018.....	5
01079.0000.....	19,21,25	03409.0000.....	37	20976.1004.....	15	36355.1002.....	5
01082.0000.....	11	03409.0002.....	37	21000.0725.....	33	36356.1010.....	5
01082.0003.....	11	03470.0000.....	11	21001.0723.....	33	36356.1011.....	5
01085.0000.....	19	03532.0000.....	23	21179.0000.....	21	36356.1013.....	5
01085.0002.....	21,29	03535.0000.....	23	21275.0003.....	15	36356.1206.....	5
01100.0000.....	21,25	03536.0000.....	37	21695.0001.....	21	36356.1207.....	5
01101.0000.....	19	03537.0000.....	5	22145.0000.....	23,29	36356.1208.....	5
01111.0000.....	19,21,25	03717.0000.....	7	22249.0000.....	21,27,31	36360.1001.....	5
01111.0002.....	21,29	03739.0000.....	33	22312.0000.....	21,27,31	36362.0002.....	9
01116.0000.....	19,21,25	03739.0005.....	33	23721.0000.....	21,27	36378.0001.....	15,17
01154.0001.....	13,25,29	03739.0006.....	33	23721.0000.....	31	36412.0000.....	9
01155.0000.....	13,21,25	03740.0001.....	33	24684.0000.....	13,15,17,23	36420.0003.....	25
01155.0000.....	27,29,31	03996.0000.....	9	24733.0006.....	15	36421.0003.....	25
01170.0000.....	25,29	04776.0001.....	35	25137.0001.....	9	36421.0005.....	29
01171.0001.....	25,29	04844.0000.....	11	25137.0002.....	9	36421.0009.....	17

NUMERICAL INDEX

PART NO.	PAGE NO.	PART NO.	PAGE NO.	PART NO.	PAGE NO.	PART NO.	PAGE NO.
36421.1002.....	23	40304.0000.....	13,17				
36421.1003.....	23	40384.1000.....	33				
36451.0002.....	35	40406.0000.....	35				
36461.0000.....	9	40406.0001.....	35				
36462.0000.....	9	40406.0002.....	35				
36576.0000.....	11	40406.0003.....	35				
36580.0001.....	5	40783.0000.....	7,13,15				
36582.0001.....	11	40783.0000.....	21,31				
36584.0004.....	5	40784.0000.....	19				
36584.0005.....	5	41035.1000.....	13				
36584.0006.....	5	41035.1001.....	13				
36586.0000.....	5	41035.1002.....	15				
36590.0000.....	5	41035.1003.....	15				
36590.0002.....	5	41432.0003.....	9				
36590.0017.....	5	41488.0001.....	9				
36590.0022.....	5	41588.0000.....	15				
36594.0003.....	5	41589.0000.....	15				
36596.0002.....	25	41595.1002.....	15				
36596.0003.....	25	41666.1002.....	15				
36597.0005.....	21	41948.0000.....	7				
36687.0000.....	21,27,31	41948.0001.....	7				
36877.0001.....	9	41969.0000.....	17				
36923.0002.....	9	41974.0000.....	5				
36997.1001.....	5	41975.0000.....	5				
37033.0000.....	25	41995.0000.....	37				
37079.0000.....	33	41996.0000.....	37				
37080.0000.....	33	42025.0000.....	17				
37080.0001.....	33	43041.0000.....	13,15,17				
37093.0000.....	21	45703.1000.....	11				
37233.1006.....	11	45313.0000.....	15,17				
37233.1007.....	11						
37233.1008.....	11						
37233.1009.....	11						
37234.0000.....	5						
37234.0001.....	5						
37234.0006.....	5						
37234.0009.....	5						
37297.1006.....	13,15,17						
37538.0001.....	9						
37573.0000.....	9						
37804.0000.....	33						
37855.0750.....	21,27,31						
37857.0750.....	21						
37857.1750.....	27,31						
37881.0000.....	5						
38379.1000.....	19						
38380.0000.....	35						
38460.0000.....	25						
38770.0000.....	29						
38879.0001.....	31						
38880.0000.....	29						
38969.0001.....	11						
39782.0000.....	31						
40187.0001.....	13,15,17						
40203.0000.....	19						
40301.0002.....	19						