

---

# BUNN®

# JDF-2S

Silver Series®



## ILLUSTRATED PARTS CATALOG

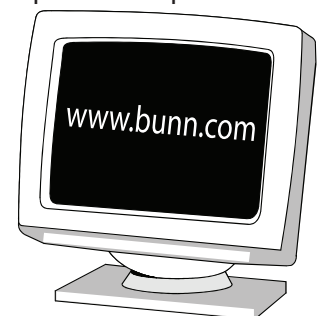
Designs, materials, weights, specifications, and dimensions for equipment or replacement parts are subject to change without notice.

**BUNN-O-MATIC CORPORATION**

POST OFFICE BOX 3227

SPRINGFIELD, ILLINOIS 62708-3227

PHONE: (217) 529-6601 FAX: (217) 529-6644



## **BUNN-O-MATIC COMMERCIAL PRODUCT WARRANTY**

Bunn-O-Matic Corp. ("BUNN") warrants equipment manufactured by it as follows:

- 1) Airpots, thermal carafes, decanters, GPR servers, iced tea/coffee dispensers, MCP/MCA pod brewers thermal servers and Thermofresh servers (mechanical and digital)- 1 year parts and 1 year labor.
- 2) All other equipment - 2 years parts and 1 year labor plus added warranties as specified below:
  - a) Electronic circuit and/or control boards - parts and labor for 3 years.
  - b) Compressors on refrigeration equipment - 5 years parts and 1 year labor.
  - c) Grinding burrs on coffee grinding equipment to grind coffee to meet original factory screen sieve analysis - parts and labor for 4 years or 40,000 pounds of coffee, whichever comes first.

These warranty periods run from the date of installation BUNN warrants that the equipment manufactured by it will be commercially free of defects in material and workmanship existing at the time of manufacture and appearing within the applicable warranty period. This warranty does not apply to any equipment, component or part that was not manufactured by BUNN or that, in BUNN's judgment, has been affected by misuse, neglect, alteration, improper installation or operation, improper maintenance or repair, non periodic cleaning and descaling, equipment failures related to poor water quality, damage or casualty. In addition, the warranty does not apply to replacement of items subject to normal use including but not limited to user replaceable parts such as seals and gaskets. This warranty is conditioned on the Buyer 1) giving BUNN prompt notice of any claim to be made under this warranty by telephone at (217) 529-6601 or by writing to Post Office Box 3227, Springfield, Illinois 62708-3227; 2) if requested by BUNN, shipping the defective equipment prepaid to an authorized BUNN service location; and 3) receiving prior authorization from BUNN that the defective equipment is under warranty.

**THE FOREGOING WARRANTY IS EXCLUSIVE AND IS IN LIEU OF ANY OTHER WARRANTY, WRITTEN OR ORAL, EXPRESS OR IMPLIED, INCLUDING, BUT NOT LIMITED TO, ANY IMPLIED WARRANTY OF EITHER MERCHANTABILITY OR FITNESS FOR A PARTICULAR PURPOSE.** The agents, dealers or employees of BUNN are not authorized to make modifications to this warranty or to make additional warranties that are binding on BUNN. Accordingly, statements by such individuals, whether oral or written, do not constitute warranties and should not be relied upon.

If BUNN determines in its sole discretion that the equipment does not conform to the warranty, BUNN, at its exclusive option while the equipment is under warranty, shall either 1) provide at no charge replacement parts and/or labor (during the applicable parts and labor warranty periods specified above) to repair the defective components, provided that this repair is done by a BUNN Authorized Service Representative; or 2) shall replace the equipment or refund the purchase price for the equipment.

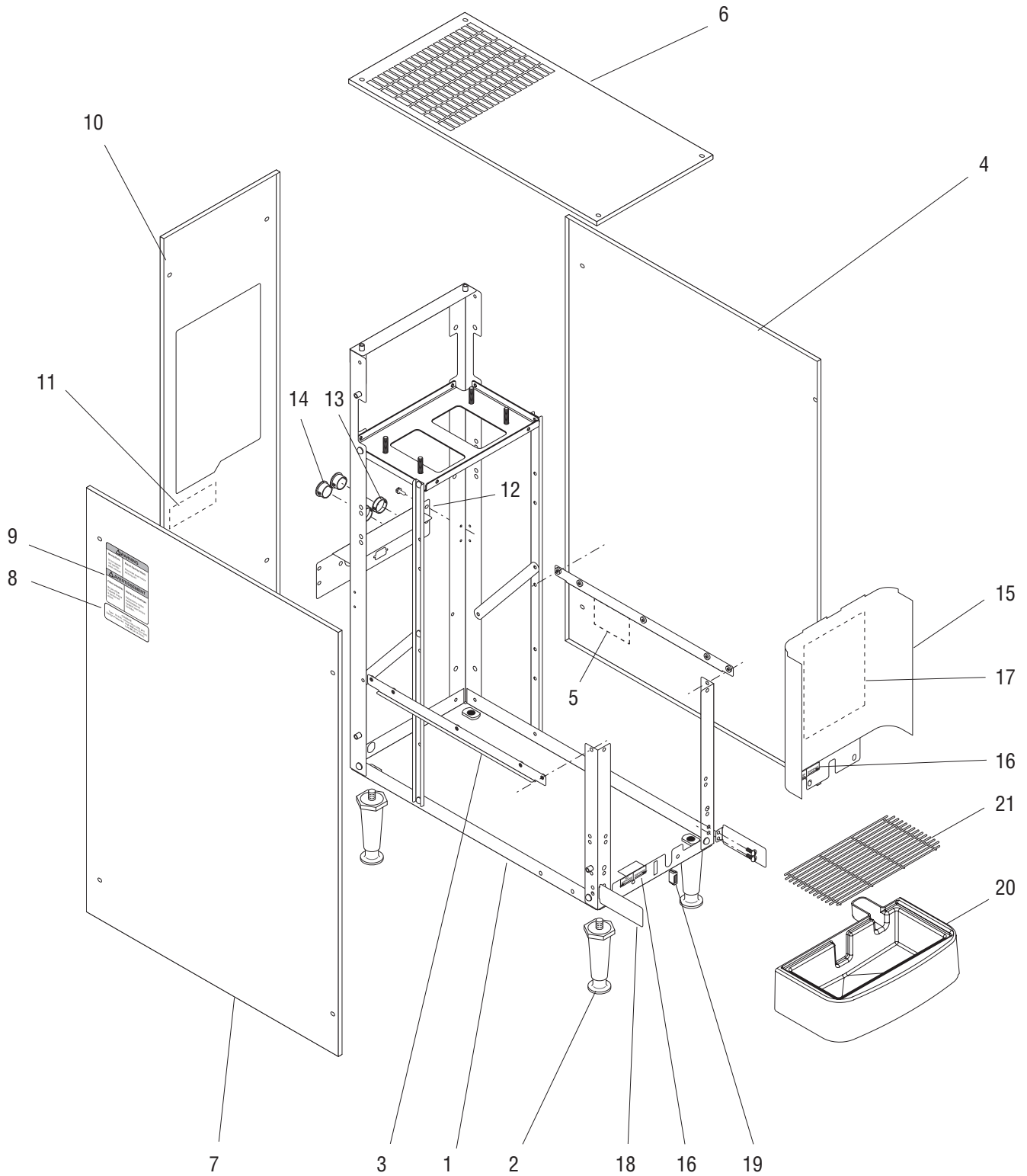
**THE BUYER'S REMEDY AGAINST BUNN FOR THE BREACH OF ANY OBLIGATION ARISING OUT OF THE SALE OF THIS EQUIPMENT, WHETHER DERIVED FROM WARRANTY OR OTHERWISE, SHALL BE LIMITED, AT BUNN'S SOLE OPTION AS SPECIFIED HEREIN, TO REPAIR, REPLACEMENT OR REFUND.**

In no event shall BUNN be liable for any other damage or loss, including, but not limited to, lost profits, lost sales, loss of use of equipment, claims of Buyer's customers, cost of capital, cost of down time, cost of substitute equipment, facilities or services, or any other special, incidental or consequential damages.

392, AutoPOD, AXIOM, BrewLOGIC, BrewMETER, Brew Better Not Bitter, BrewWISE, BrewWIZARD, BUNN Espresso, BUNN Family Gourmet, BUNN Gourmet, BUNN Pour-O-Matic, BUNN, BUNN with the stylized red line, BUNNlink, Bunn-O-Matic, Bunn-O-Matic, BUNNserve, BUNNSERVE with the stylized wrench design, Cool Froth, DBC, Dr. Brew stylized Dr. design, Dual, Easy Pour, EasyClear, EasyGard, FlavorGard, Gourmet Ice, Gourmet Juice, High Intensity, iMIX, Infusion Series, Intellisteam, My Café, Phase Brew, PowerLogic, Quality Beverage Equipment Worldwide, Respect Earth, Respect Earth with the stylized leaf and coffee cherry design, Safety-Fresh, savemycoffee.com, Scale-Pro, Silver Series, Single, Smart Funnel, Smart Hopper, SmartWAVE, Soft Heat, SplashGard, The Mark of Quality in Beverage Equipment Worldwide, ThermoFresh, Titan, trifacta, Velocity Brew, A Partner You Can Count On, Air Brew, Air Infusion, Beverage Bar Creator, Beverage Profit Calculator, Brew better, not bitter., BUNNSource, Coffee At Its Best, Cyclonic Heating System, Daypart, Digital Brewer Control, Nothing Brews Like a BUNN, Pouring Profits, Signature Series, Tea At Its Best, The Horizontal Red Line, Ultra are either trademarks or registered trademarks of Bunn-O-Matic Corporation.

# TABLE OF CONTENTS

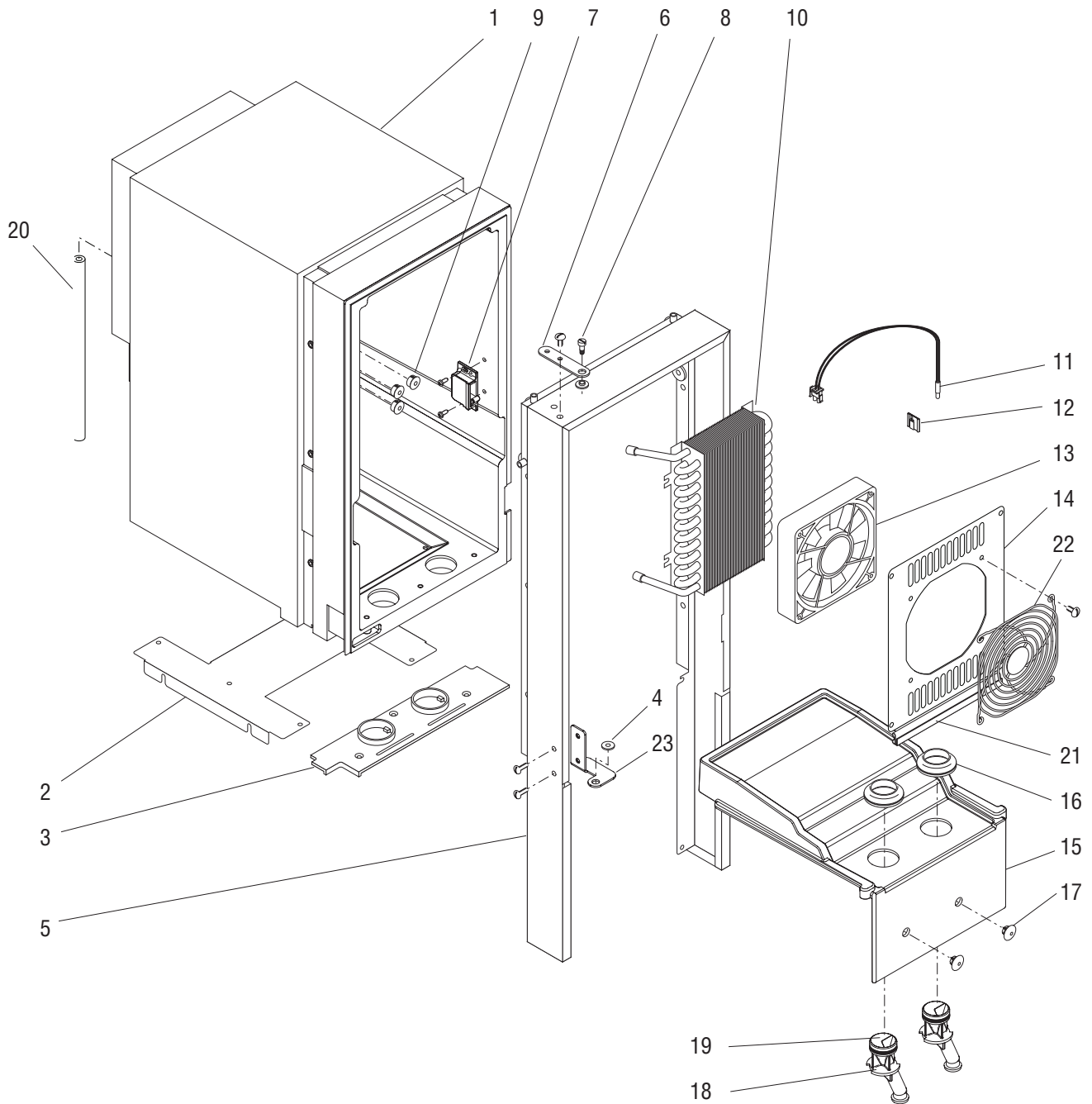
Main Frame & Covers.....	4
Upper Cabinet & Panels.....	6
Refrigeration Components.....	8,10
Compressor Components.....	12,14
Fan Assembly .....	16
Water Tank Assy .....	18
Circulation Pump & Lines.....	22
Product Coil & Lines .....	24
Dispense Platform Assy .....	26
Dispense Valve Assy.....	28
Plain Water Manifold .....	30
Door Assy - Unlited .....	32
Door Assy - Lited w/Mechanical Switches.....	34
Door Assy - Lited w/Membrane Switches.....	36
Electrical Components.....	38
Refillable Container Assy.....	42
Numerical Index .....	44



## MAIN FRAME & COVERS

ITEM	PART NO.	QTY.	DESCRIPTION
1	38606.0000*	1	Base Frame Assy (Also order item 17)(Models with Louvered Panels)
	45706.0001*	1	Base Frame Assy (Also order item 17)(Models without Louvered Panels)
2	26528.0000	4	Leg
	03996.0000	4	Pad, Non-skid
3	38654.0000*	1	Bracket, Side
	02308.0000	4	Screw, Pan Head #8-32 x .38"
4	38717.1001	1	Panel w/Decals, Right (Includes item 5) (Models with Louvered Panels)
	39491.1002	1	Panel w/Decals, Right (Includes item 5)(Models without Louvered Panels)
	02331.0001	4	Screw, Truss Head, Blk #10-32 x .38"
	01512.0000	1	Lockwasher, Ext.-tooth #10
5	00986.7000	1	Decal, Warning - Electrical
6	38719.1001	1	Panel, Top
	02331.0001	4	Screw, Truss Head, Blk #10-32 x .38"
	01512.0000	1	Lockwasher, Ext.-tooth #10
7	38716.1001	1	Panel w/Decals, Left (Includes items 8 & 9) (Models with Louvered Panels)
	39491.1003	1	Panel w/Decals, Left (Includes items 8 & 9)(Models without Louvered Panels)
	02331.0001	4	Screw, Truss Head, Blk #10-32 x .38"
	01512.0000	1	Lockwasher, Ext.-tooth #10
8	33461.0001	1	Decal, Refrigerant Charge
9	27442.7000	2	Decal, Warning - Moving Parts
10	38718.1003	1	Panel w/Decals, Rear (Includes items 11,12)(Models with Velcro mounted Air Filter)
	42478.1001	1	Panel w/Decals, Rear (Includes items 11, 12)(Models with Frame mounted Air Filter)
	02331.0001	4	Screw, Truss Head, Blk #10-32 x .38"
	01512.0000	1	Lockwasher, Ext.-tooth #10
11	00656.0001	1	Decal, Comply To Plumbing Code
12	38615.0000*	1	Bracket
	38615.0001*	1	Bracket (Models with Dual Dispense option)
	02335.0001	4	Screw, Hex Crimpite #8 x .38"
13	27354.0000	2	Bushing
14	00668.0000	2	Plug
15	38661.0000	1	Panel, Splash (Also order items 17 & 18)
	02308.0000	2	Screw, Pan Head #8-32 x .38"
16	38950.0000	2	Decal, Dispense/No Dispense
17	44745.0000	1	Schematic, Electrical
18	38617.1001	2	Bracket
	02308.0000	4	Screw, Pan Head #8-32 x .38"
19	21436.0000	1	Catch, Magnetic
20	38765.1000	1	Drip Tray Assy (Includes Strike Plate and item 22)
	44015.1000	1	Drip Tray Assy, Extended (Optional Equipment)
21	26801.0000	1	Grate, Drip Tray

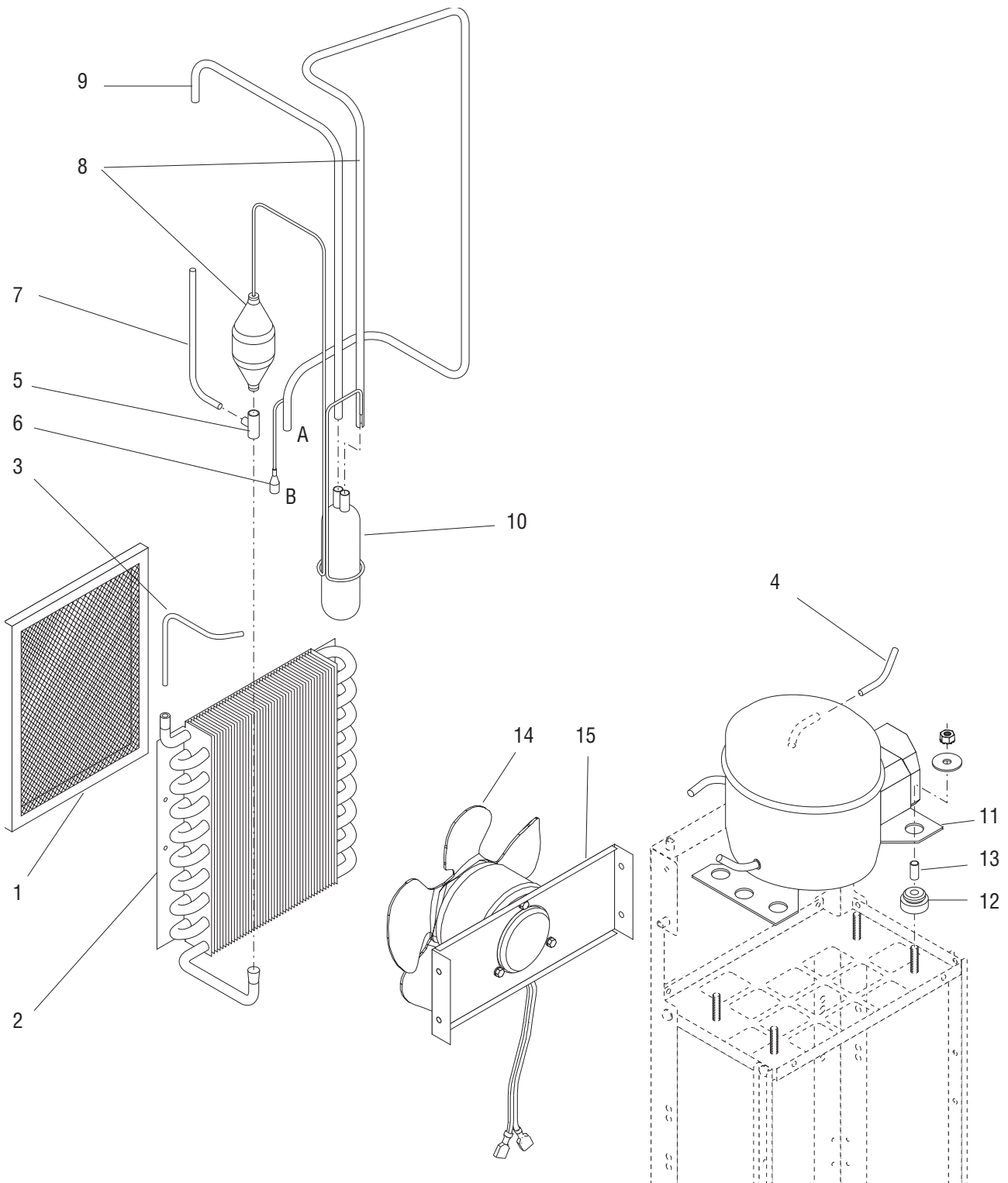
\* Indicates the part number listed is for reference only. See DESCRIPTION for possible service replacement.



## UPPER CABINET & PANELS

ITEM	PART NO.	QTY.	DESCRIPTION
1	38857.0000* 24544.0000	1 6	Cabinet (Not serviced) Screw, Pan Head #8-18
2	34738.0001* 02308.0000	1 4	Plate, Cabinet Mounting Screw, Pan Head #8-32 x .38"
3	34784.0000 01359.0000	1 3	Plate, Bottom Closure Screw, Flat Head #8-32 x .38"
4	34362.0002	1	Bushing, Hinge
5	34790.0001 34790.0002 24544.0000 02308.0000	1 1 6 4	Wrap (Early Models) Wrap (Late Models with bolt on door hinge) Screw, Pan Head #8-1 Screw, Pan Head #8-32 x .38"
6	34785.0001* 02331.0001	1 2	Bracket, Hinge Screw, Truss Head, Blk #10-32 x .38"
7	34666.0001 01388.0000	1 2	Catch, Door Latch Screw, Truss Head #6 x .75"
8	34741.0000	1	Screw, Shoulder
9	00669.0002	3	Plug
10	34419.0001 24544.0000	1 4	Coil, Water Screw, Pan Head #8-18
11	43694.0000	1	Sensor Assy, Temperature
12	33669.0000	1	Clip, Adhesive Back
13	33297.0000 38616.0000	1 2	Fan Assy. Screw, Hex Head #10-24
14	34421.0001 24544.0000	1 4	Cover, Fan Screw, Pan Head #8-18
15	34422.0003	1	Shelf, Product
16	32461.0000	2	Gasket, Drip
17	27394.0000	2	Plug
18	35930.0000 40103.1000 40103.1001	2 2 2	Nozzle Nozzle, Quick Stop, White (Optional)(Includes item 19) Nozzle, Quick Stop, Black (Optional)(Includes item 19)
19	32848.0000	2	O-ring (Also order item 24)
20	11707.0044*	1	Tube, Silicone .25"ID x 9.0" (Order item 25)
21	39086.0000*	1	Seal, Fan Cover (Late Models)
22	34010.0001 38616.0000	1 2	Guard, Fan Screw, Hex Head #10-24
23	41385.0000 02308.0000	1 2	Bracket (Late Models with bolt on door hinge) Screw, Pan Head #8-32 x .38"
24	M2550.0001	-	Lubrifilm 1.0oz (Use when assembling item 19)
25	11707.1000	-	Tube, Silicone .25"ID x 12.0" (Use as required)
26	40103.1002 40103.1003	- -	Nozzle Kit, Quick Stop, White (Set of 2) Nozzle Kit, Quick Stop, Black (Set of 2)

\* Indicates the part number listed is for reference only. See DESCRIPTION for possible service replacement.



P3615

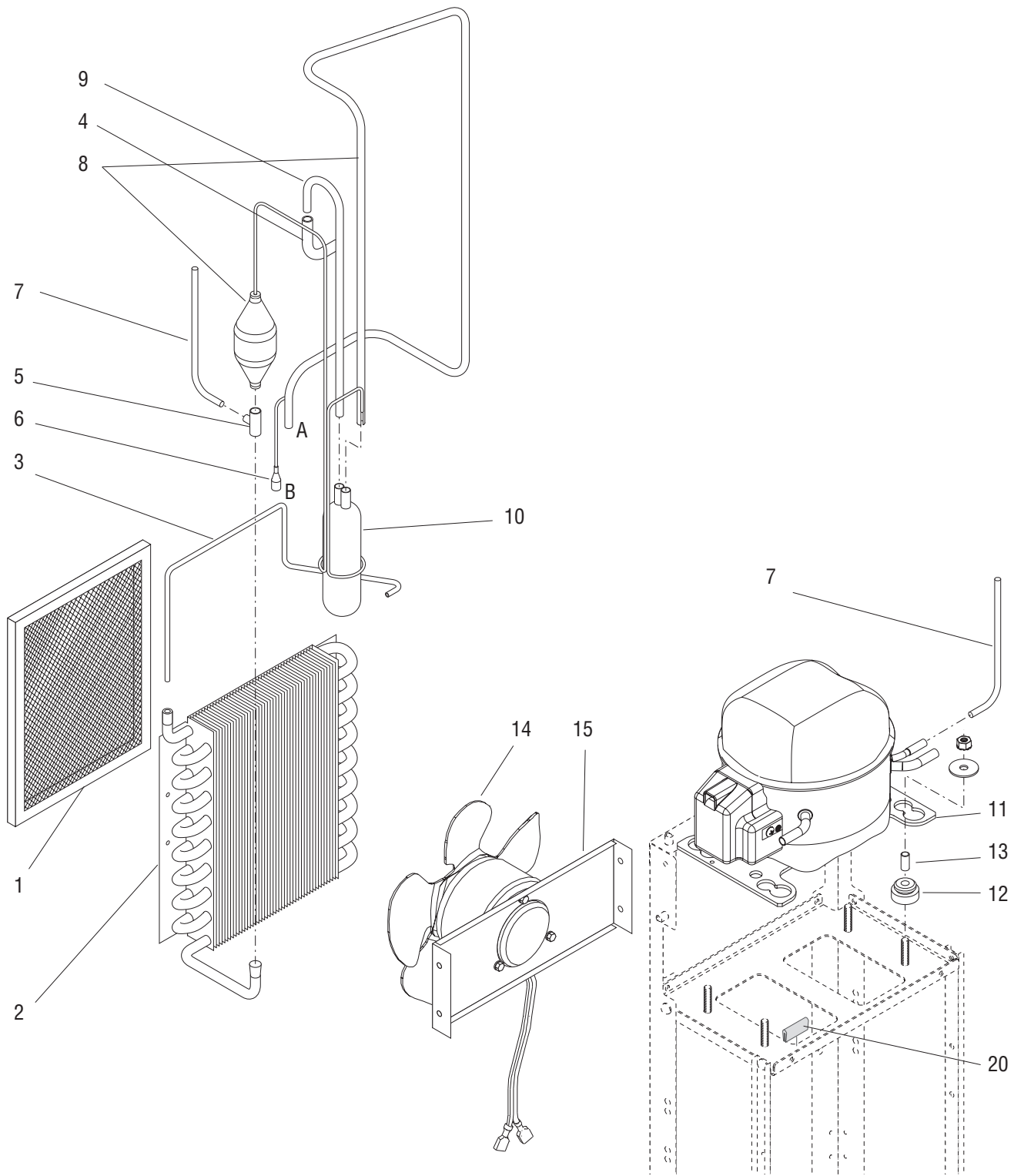
NOTE: Letters appearing within this illustration correspond to matching connections in other illustrations.



## REFRIGERATION COMPONENTS (CUBIGEL COMPRESSOR)

ITEM	PART NO.	QTY.	DESCRIPTION
1	35164.1001	1	Air Filter Assy (Includes item 19)
2	29951.0002	1	Condenser
	02335.0001	4	Screw, Crimptite #8 x .38"
3	38921.0001	1	Tube (Requires brazing to install)
4	38934.0001	1	Tube (Requires brazing to install)
5	00396.0002	1	Tee (Requires brazing to install)
6	35178.0000	1	Adapter (Requires brazing to install)
7	38937.0001	1	Tube (Requires brazing to install)
8	35175.1002	1	Filter Dryer Assy (Requires brazing to install)
9	38922.0001	1	Tube (Requires brazing to install)
10	32776.0000	1	Accumulator
11	-----	1	Compressor (See COMPRESSOR COMPONENTS)
	34529.0000*	4	Washer
	00901.0000	4	Nut .25"-20
12	-----	4	Grommet
13	-----	4	Sleeve
			} Order item 16
14	-----	1	Fan Assy (See FAN ASSEMBLY)
	27243.0000	3	Screw #8-36 x .437"
15	34418.0001*	1	Bracket
	02308.0000	4	Screw, Pan Head #8-32 x .38"
16	28567.0000	1	Mounting Kit (Includes four each of items 12 & 13)
17	M2546.1000	-	Tape, Tube Insulating (Use as required)
18	M2336.1000	-	Insulation, Tube 25/50 - 0.25"ID x .19" wall x 6.0 Ft (Use as required)
19	12467.1002	-	Velcro, Loop 3.5" (4 pieces)
	12468.1002	-	Velcro, Hook 3.5" (4 pieces)
			} Not Illustrated

\* Indicates the part number listed is for reference only. See DESCRIPTION for possible service replacement.



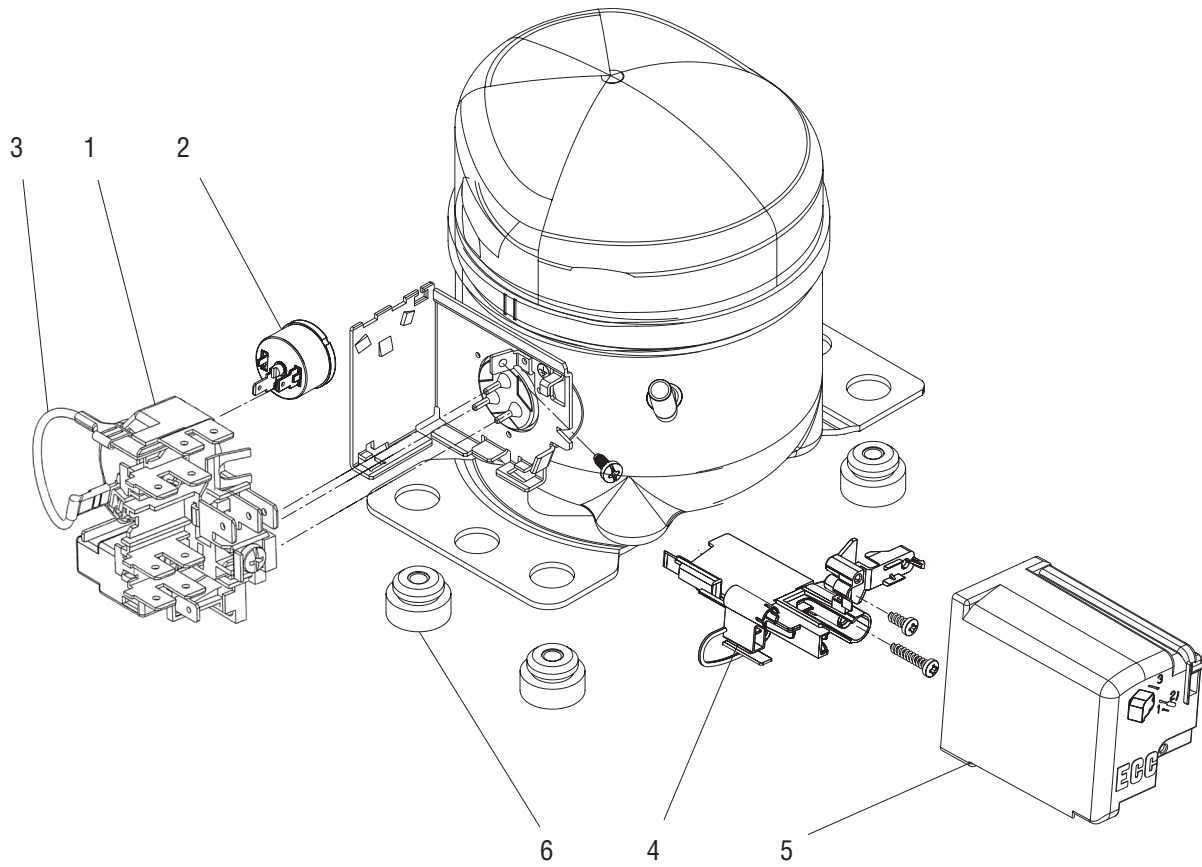
P4297

NOTE: Letters appearing within this illustration correspond to matching connections in other illustrations.

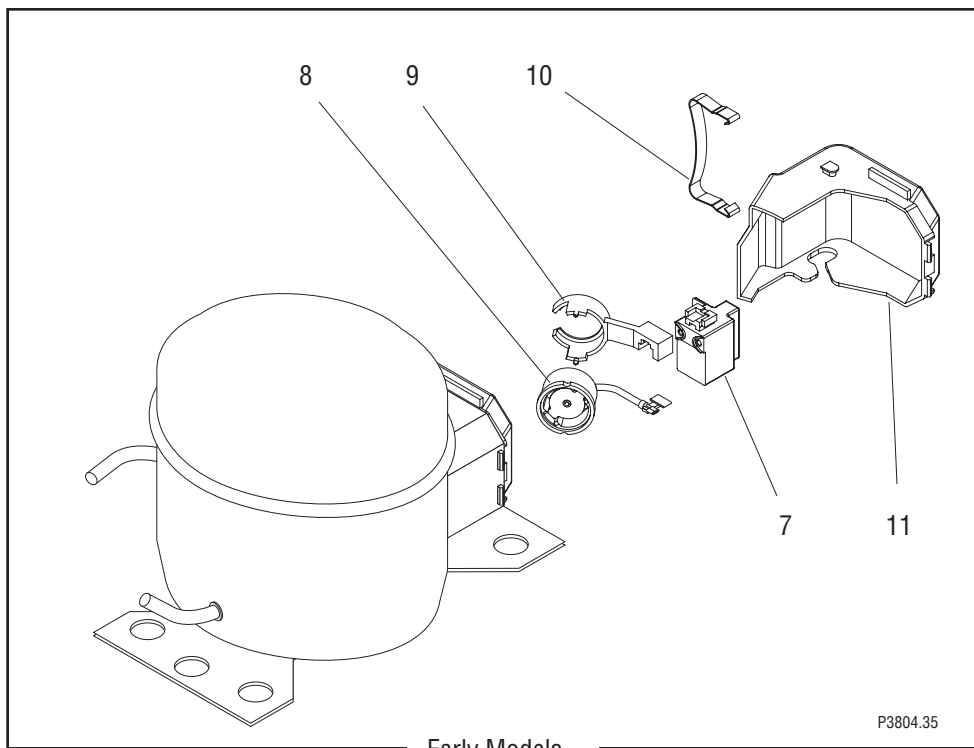
## REFRIGERATION COMPONENTS (LG COMPRESSOR)

ITEM	PART NO.	QTY.	DESCRIPTION
1	35164.1001	1	Air Filter Assy (Includes item 19)
2	29951.0002	1	Condenser
	02335.0001	4	Screw, Crimptite #8 x .38"
3	46112.0001	1	Tube (Requires brazing to install)
4	32089.0001	1	Tube (Requires brazing to install)
5	00396.0002	1	Tee (Requires brazing to install)
6	35178.0000	1	Adapter (Requires brazing to install)
7	38937.0001	2	Tube (Requires brazing to install)
8	35175.1002	1	Filter Dryer Assy (Requires brazing to install)
9	46113.0001	1	Tube (Requires brazing to install)
10	32776.0000	1	Accumulator
11	-----	1	Compressor (See COMPRESSOR COMPONENTS)
	34529.0000*	4	Washer
	00901.0000	4	Nut .25"-20
12	-----	4	Grommet
13	-----	4	Sleeve
			} Order item 16
14	-----	1	Fan Assy (See FAN ASSEMBLY)
	27243.0000	3	Screw #8-36 x .437"
15	34418.0001*	1	Bracket
	02308.0000	4	Screw, Pan Head #8-32 x .38"
16	28567.0000	1	Mounting Kit (Includes four each of items 12 & 13)
17	M2546.1000	-	Tape, Tube Insulating (Use as required)
18	M2336.1000	-	Insulation, Tube 25/50 - 0.25"ID x .19" wall x 6.0 Ft (Use as required)
19	12467.1002	-	Velcro, Loop 3.5" (4 pieces)
	12468.1002	-	Velcro, Hook 3.5" (4 pieces)
			} Not Illustrated
20	41105.0003	1	Edging 1.0"

\* Indicates the part number listed is for reference only. See DESCRIPTION for possible service replacement.



P4040.30

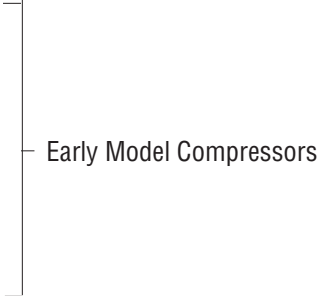


Early Models

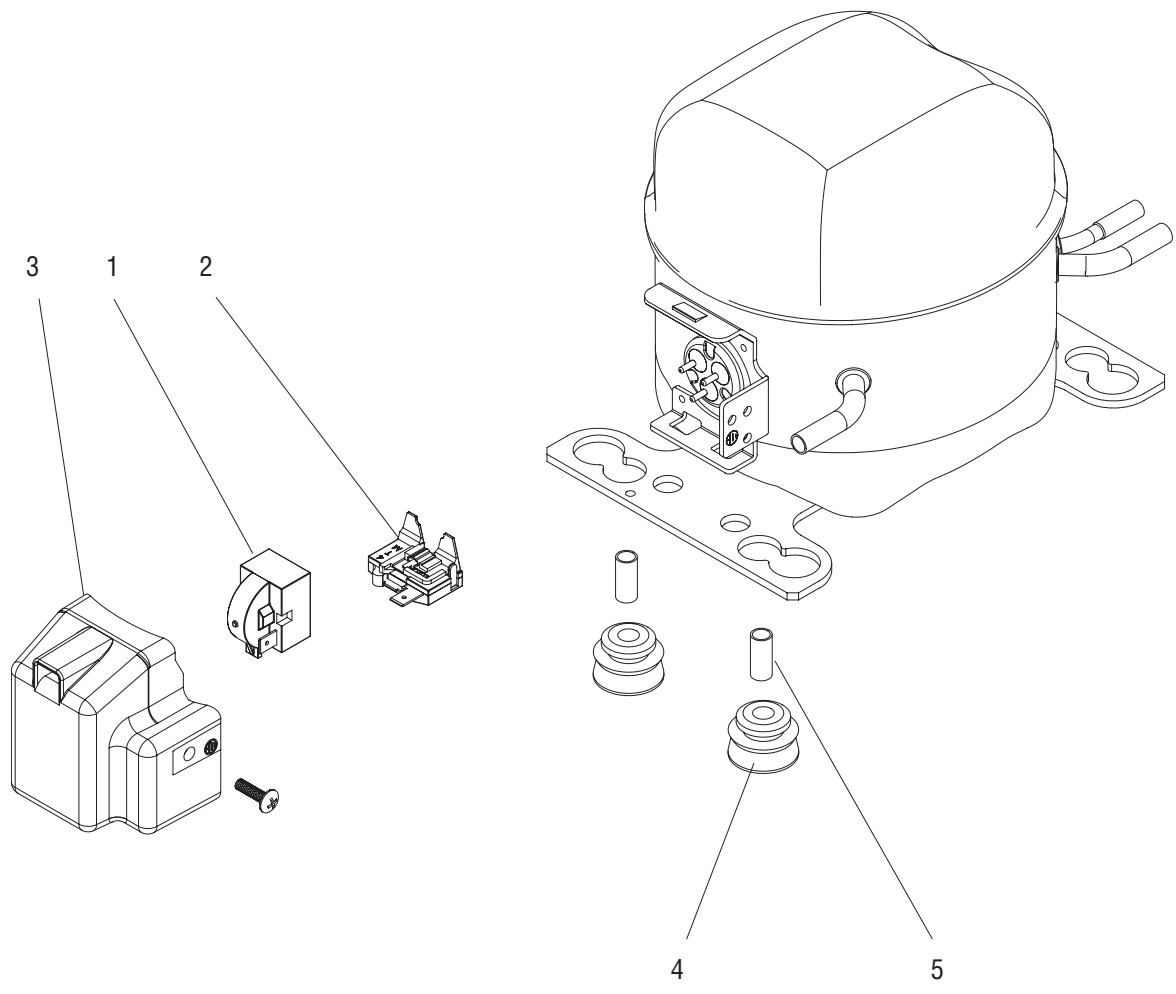
P3804.35

## COMPRESSOR COMPONENTS (CUBIGEL)

ITEM	PART NO.	QTY.	DESCRIPTION
-	-----	1	Compressor (Early Models. Order new Compressor)
	33522.1002	1	Compressor 120V (Includes items 1 - 6)
	33522.1003	1	Compressor 230V (Includes items 1 - 6)
1	39912.0002	1	Relay, Compressor 120V
	39912.0003	1	Relay, Compressor 230V
2	39908.0002	1	Overload Protector 120V
	39908.0003	1	Overload Protector 230V
3	41398.0000	1	Cable
4	41397.0000	1	Strain Relief
5	39907.0000	1	Cover
6	41396.0000	1	Mounting Kit (Includes 4 Grommets and Sleeves)
7	38897.0000	1	Relay, Compressor 120V
	38897.0001	1	Relay, Compressor 230V
8	38917.0000	1	Overload Protector
9	38916.0000	1	Retainer
10	38918.0000	1	Clip
11	38896.0000	1	Cover



\* Indicates the part number listed is for reference only. See DESCRIPTION for possible service replacement.

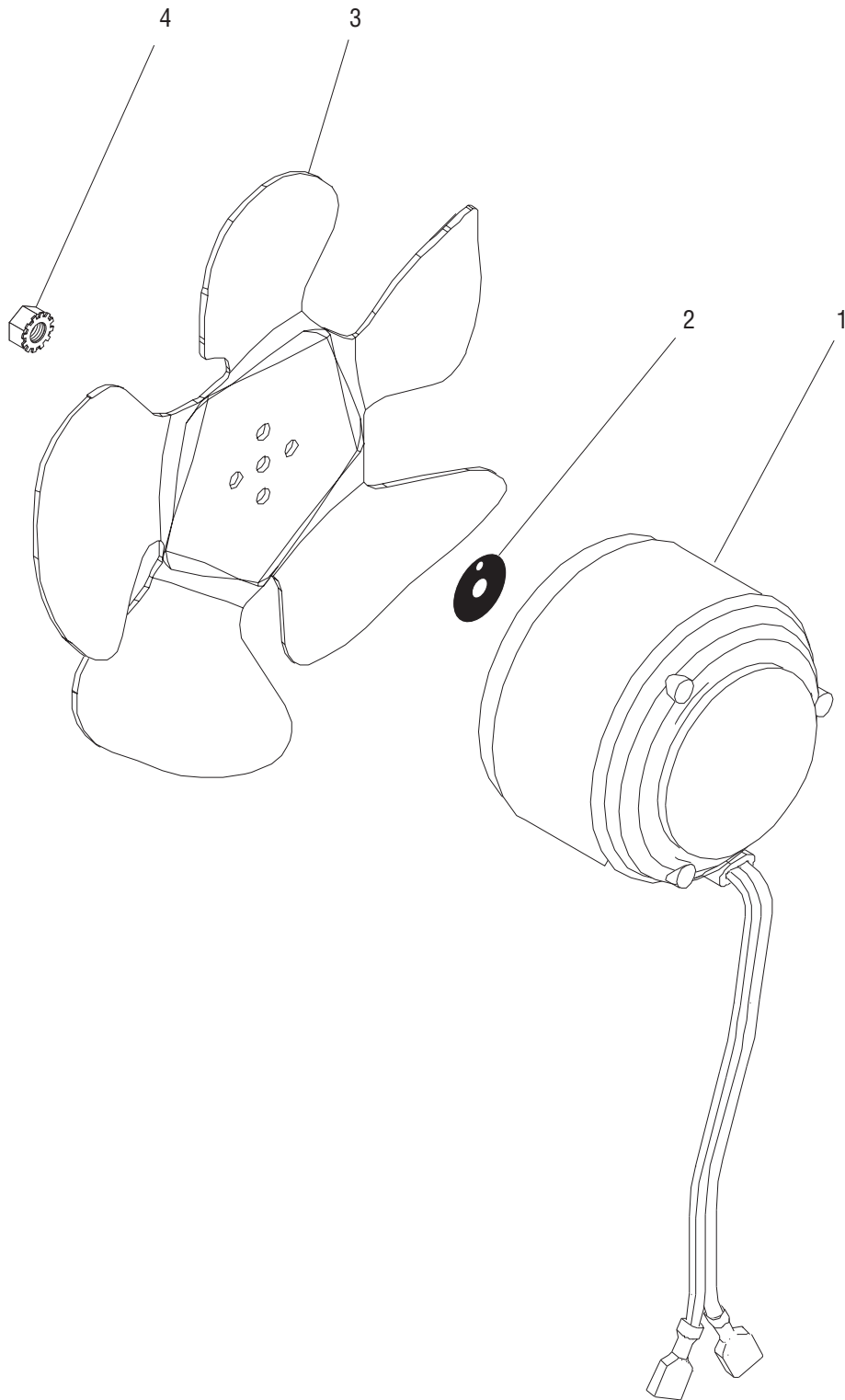


P4298.30

## COMPRESSOR COMPONENTS (LG)

ITEM	PART NO.	QTY.	DESCRIPTION
-	45901.0000	1	Compressor 120V (Includes items 1 - 5)
	45901.0001	1	Compressor 230V (Includes items 1 - 5)
1	45899.0000	1	Relay, Compressor 120V
	45899.0001	1	Relay, Compressor 230V
2	45898.0000	1	Overload Protector 120V
	45898.0001	1	Overload Protector 230V
3	45908.0000	1	Cover
	45909.0000	1	Screw
4	45897.0000	4	Grommet
5	45896.0000	4	Sleeve

\* Indicates the part number listed is for reference only. See DESCRIPTION for possible service replacement.

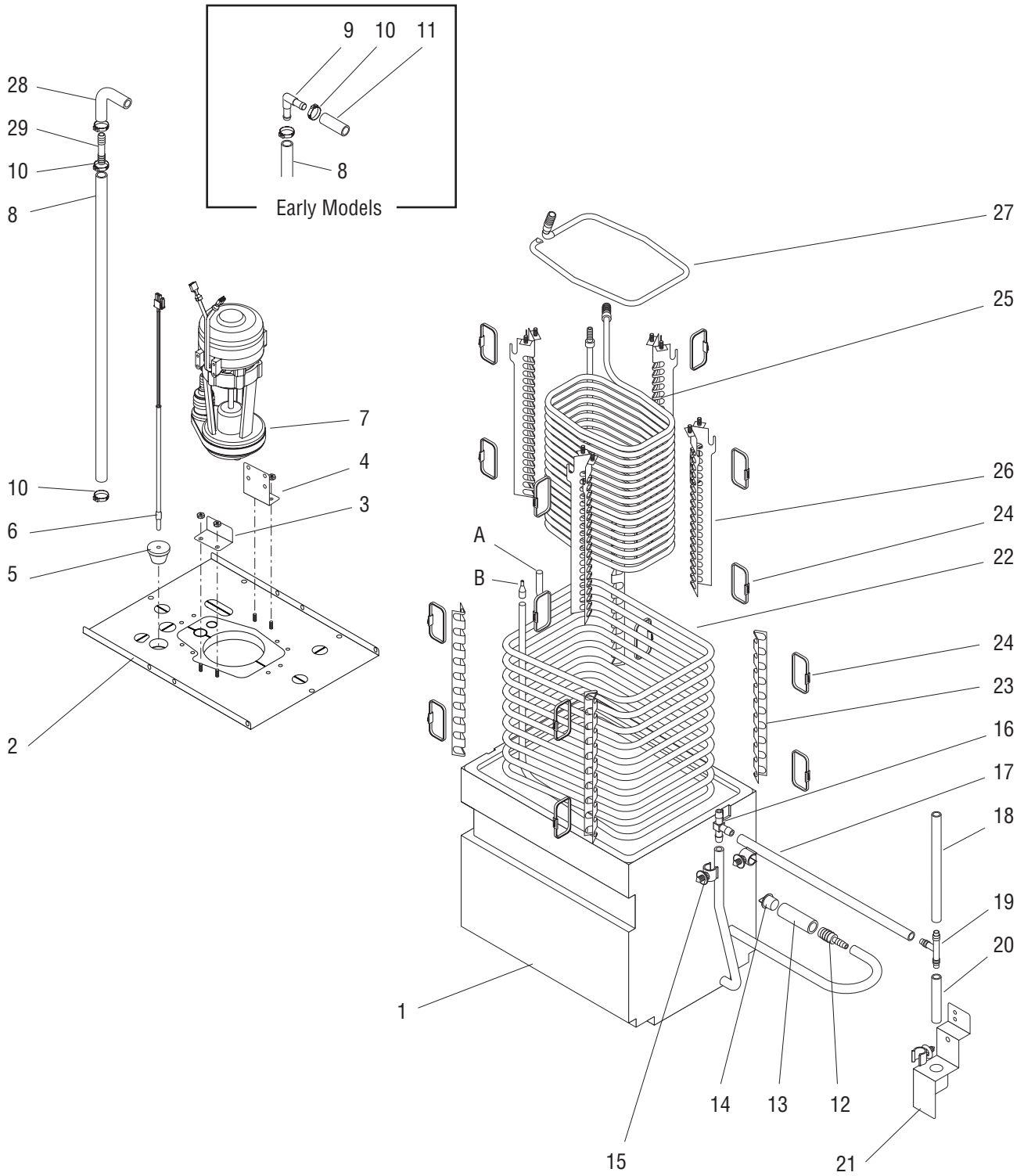




## FAN ASSEMBLY

ITEM	PART NO.	QTY.	DESCRIPTION
-	32204.1001	1	Fan Assy 120V (Includes items 1-4)
	32204.1002	1	Fan Assy 230V (Includes items 1-4)
1	33603.0000	1	Motor Assy 120V
	33603.0001	1	Motor Assy 230V
2	33602.0000	1	Blade, Fan
3	27258.0000	1	Silencer
4	23700.0000	1	Nut .25"-20

\* Indicates the part number listed is for reference only. See DESCRIPTION for possible service replacement.



NOTE: Letters appearing within this illustration correspond to matching connections in other illustrations.

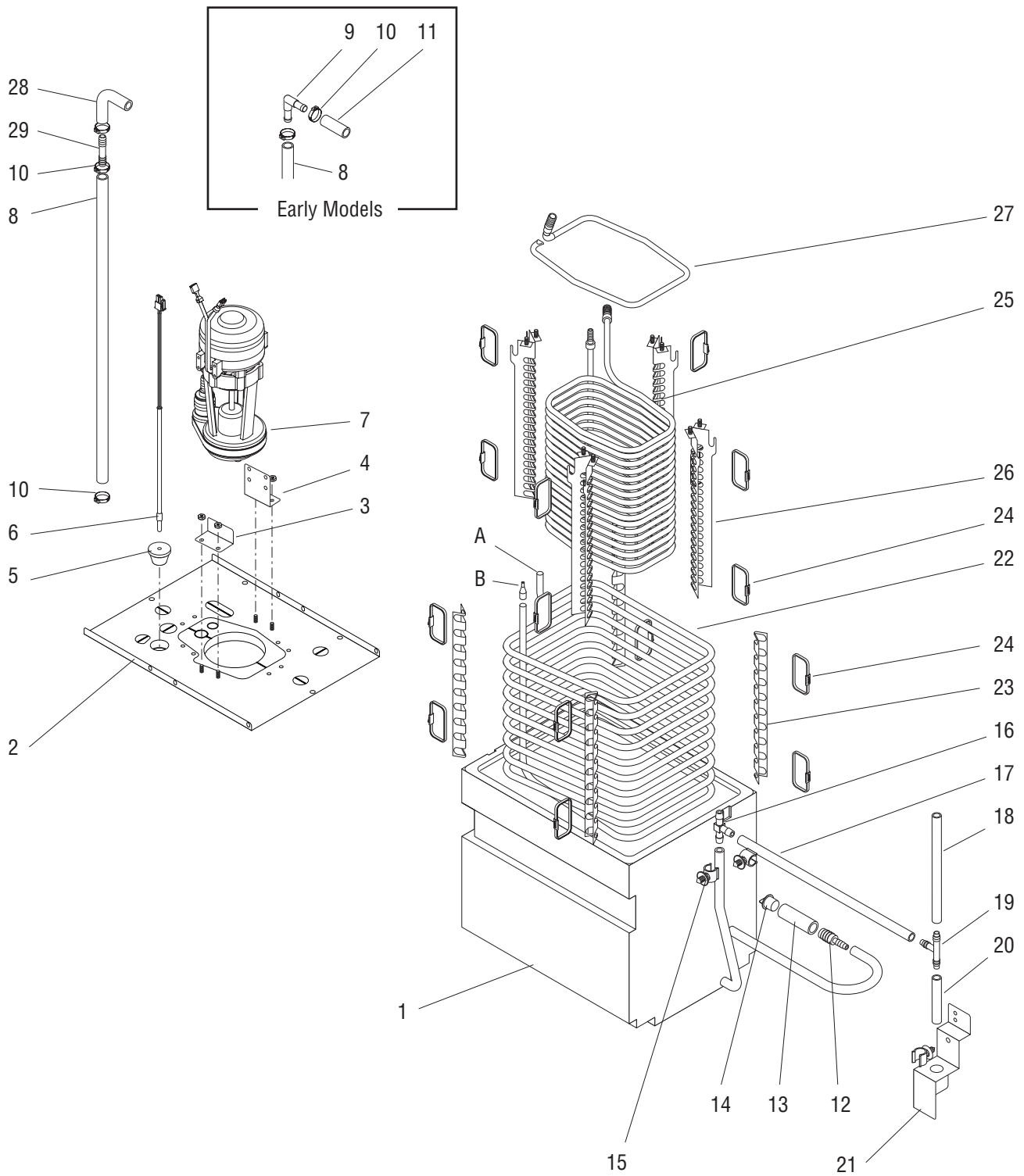
## WATER TANK ASSY

ITEM	PART NO.	QTY.	DESCRIPTION
1	35165.1003	1	Tank Assy
	24544.0000	6	Screw, Pan Head #8-18
2	35272.0002*	1	Lid Assy
	24544.0000	6	Screw, Pan Head #8-18
3	38833.0001	1	Bracket
	00973.0001	2	Nut, Keps #6-32
4	38833.0000	1	Bracket
	00973.0001	2	Nut, Keps #6-32
5	33801.0001	1	Grommet
6	28891.1000	1	Probe, Temperature & Dry Plug
7	38827.0000	1	Pump Assy 120V
	38827.0001	1	Pump Assy 230V
	27243.0000	4	Screw #8-36 x .437"
8	45848.0001	1	Hose, Flex .38" ID x .625" OD x 20.0" (Early Models)
	45848.0019	1	Hose, Flex .38" ID x .625" OD x 18.0" (Late Models)
9	37850.0000	1	Elbow .38" Barb
10	21275.0003	3	Clamp .57" - .70"
11	45848.0000	1	Hose, Flex .38" ID x .625" OD x 1.50"
12	38924.0000	1	Reducer .50 to .25" Barb
13	32591.0014*	1	Hose, Flex .38" ID x .625" OD x 3.0" (Order item 34)
14	38925.0000	1	Plug
15	27410.0000	3	Clip, Tube Mounting
16	33153.0000	1	Tee .25" Barb
17	11707.0016*	1	Tube, Silicone .25" ID x 8.0" (Order item 33)
18	11707.0043*	1	Tube, Silicone .25" ID x 6.25" (Order item 33)
19	38605.0000	1	Tee .25" Barb
20	11707.0009*	1	Tube, Silicone .25" ID x 2.6" (Order item 33)
21	38662.0000*	1	Bracket
	02308.0000	2	Screw, Pan Head #8-32 x .38"
22	33519.0001	1	Evaporator Coil
23	33533.0000*	4	Spacer
24	36329.0002	20	Cable Tie
25	38828.1000	1	Product Coil (Order item 35)
26	34416.0000	4	Spacer

(Continued)

\* Indicates the part number listed is for reference only. See DESCRIPTION for possible service replacement.

(Continued)



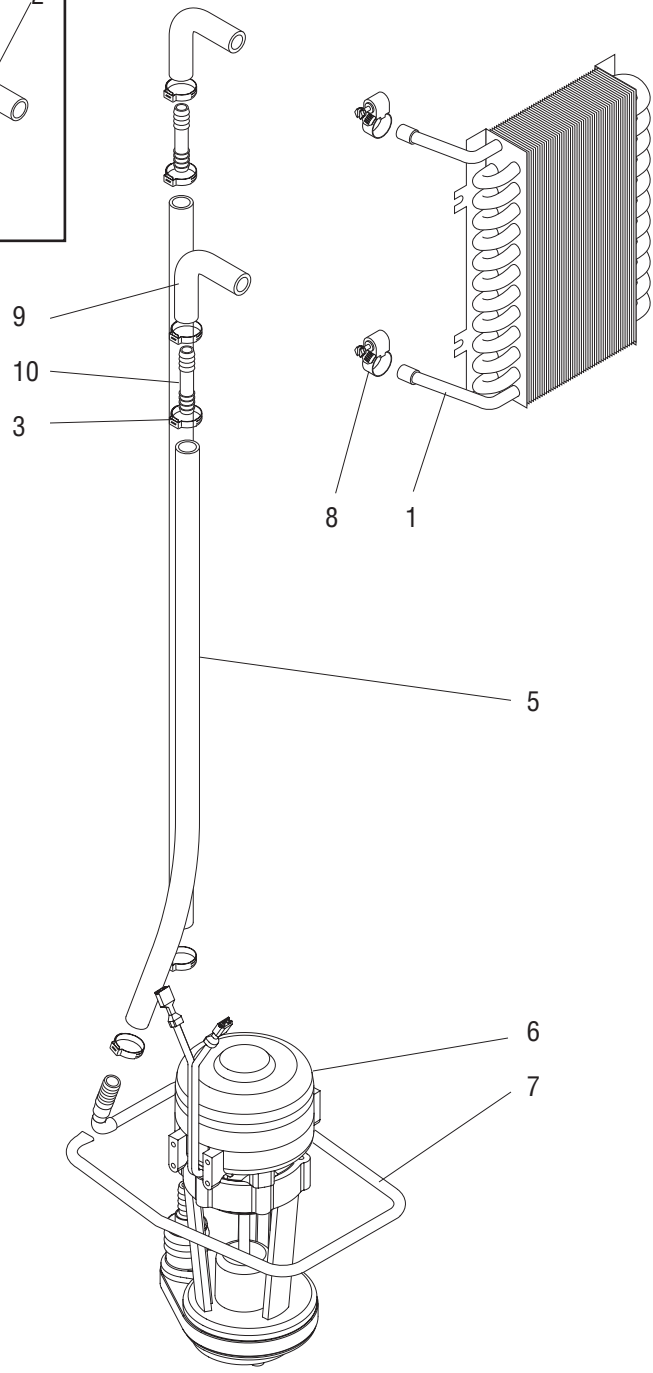
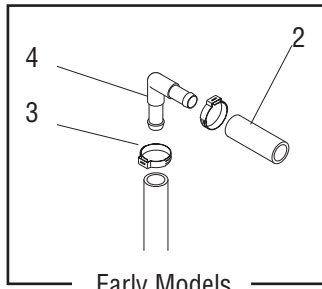
NOTE: Letters appearing within this illustration correspond to matching connections in other illustrations.

P3616

## WATER TANK ASSY

ITEM	PART NO.	QTY.	DESCRIPTION
27	38829.0000	1	Manifold, Return Water
28	45928.0000	1	Elbow
29	34644.0000	1	Connector .38" Barb
30	M2337.1000	-	Insulation, Tube 25/50 .50" ID x 72.0" (Cut to required length)
31	M2336.1000	-	Insulation, Tube 25/50 .38" ID x 72.0" (Cut to required length)
32	45848.1000	-	Hose, Flex .38" ID x .625" OD x 12.0" (Cut to required length)
	45848.1001	-	Hose, Flex .38" ID x .625" OD x 36.0" (Cut to required length)
	45848.1002	-	Hose, Flex .38" ID x .625" OD x 120.0" (Cut to required length)
33	11707.1000	-	Hose, Silicone .25" ID x .625" OD x 12.0" (Cut to required length)
	11707.1001	-	Hose, Silicone .25" ID x .625" OD x 36.0" (Cut to required length)
	11707.1002	-	Hose, Silicone .25" ID x .625" OD x 120.0" (Cut to required length)
34	32591.1001	-	Hose, Silicone .50" ID x .625" OD x 12.0" (Cut to required length)
	32591.1002	-	Hose, Silicone .50" ID x .625" OD x 36.0" (Cut to required length)
35	38943.1000	-	Coil Assy (Includes items 24 - 27)

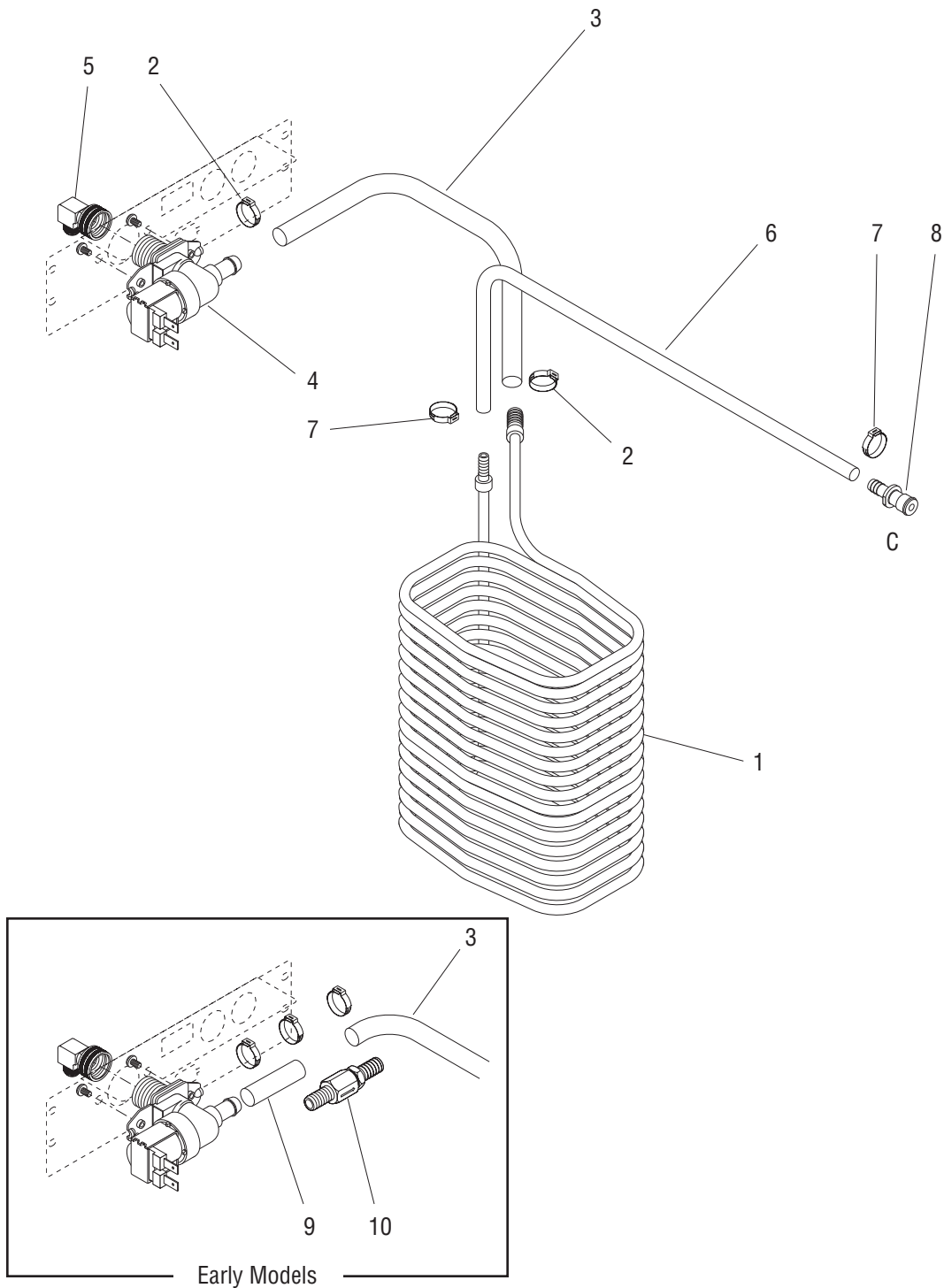
\* Indicates the part number listed is for reference only. See DESCRIPTION for possible service replacement.



## CIRCULATION PUMP & LINES

ITEM	PART NO.	QTY.	DESCRIPTION
1	-----	1	Coil, Upper Cabinet (See UPPER CABINET & PANELS)
2	45848.0000*	1	Tube, Silicone .38" ID x 1.5" (Order item 12)
3	21275.0003	4	Clamp .57" - .70"
4	37850.0000	1	Elbow .38" Barb (Early Models)
5	45848.0002*	1	Tube, Silicone .38" ID x 17.0" (Order item 12)
6	-----	1	Pump, Circulation (See WATER TANK ASSEMBLY)
7	-----	1	Manifold, Return Water (See WATER TANK ASSEMBLY)
8	29421.0000	2	Clamp, Hose Worm Drive .625/.75"
9	45928.0000	1	Elbow
10	34644.0000	1	Connector .38" Barb
11	M2336.1000	-	Insulation, Tube 25/50 .38" ID x 72.0" (Cut to required length)
12	45848.1000	-	Hose, Flex .38" ID x .625" OD x 12.0" (Cut to required length)
	45848.1001	-	Hose, Flex .38" ID x .625" OD x 36.0" (Cut to required length)
	45848.1002	-	Hose, Flex .38" ID x .625" OD x 120.0" (Cut to required length)

\* Indicates the part number listed is for reference only. See DESCRIPTION for possible service replacement.



P3622

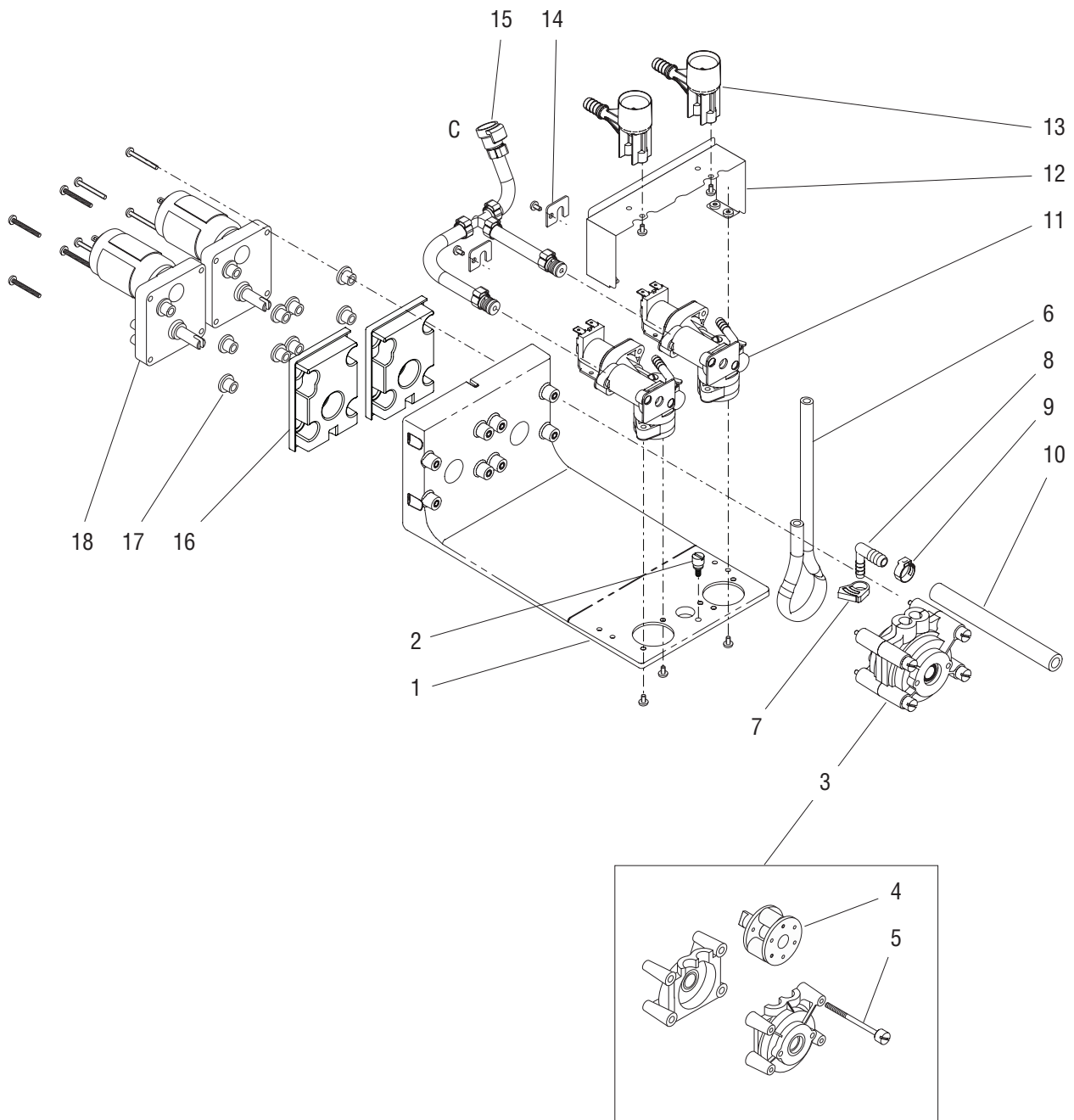
NOTE: Letters appearing within this illustration correspond to matching connections in other illustrations.



## PRODUCT COIL & LINES

ITEM	PART NO.	QTY.	DESCRIPTION
1	-----	1	Product Coil (See WATER TANK ASSEMBLY)
2	21275.0003	2	Clamp .57" - .70" (Two additional used on 230V)
3	45848.0005	1	Hose, Flex .38" ID x 7.0" (120V)
	45848.0016	1	Hose, Flex .38" ID x 5.25" (Order item 11)(230V)
4	36233.1005	1	Valve, Water Inlet 120V
	36233.1006	1	Valve, Water Inlet 230V
	32283.0000	2	Screw, Pan Head M4 x 6mm
5	37297.1001	1	Fitting, Elbow .38" FI x .75" Fine Hose (Includes Gasket)
	41640.0000	1	Gasket
6	46048.0008*	1	Hose, Braided .25" ID x 15.75" (Order item 12)
7	21275.0011	2	Clamp .45" - .55"
8	34460.0000	1	Coupling, Quick Disconnect, Male
9	34325.0004*	1	Hose, Flex .38" ID x 1.50" (Order item 11)(230V)
10	40071.0001	1	Check Valve (230V)
11	45848.1000	-	Hose, Flex .38" ID x 12.0" (Cut to required length)
	45848.1001	-	Hose, Flex .38" ID x 36.0" (Cut to required length)
	45848.1002	-	Hose, Flex .38" ID x 120.0" (Cut to required length)
12	46048.1000	1	Hose, Braided .25" ID x 12.0" (Cut to required length)
	46048.1001	1	Hose, Braided .25" ID x 36.0" (Cut to required length)
	46048.1002	1	Hose, Braided .25" ID x 120.0" (Cut to required length)
13	M2336.1000	-	Insulation, Tube 25/50 .38" ID x 72.0" (Cut to required length)
14	43644.0000	-	Kit, Valve Rebuild (Not Illustrated)

\* Indicates the part number listed is for reference only. See DESCRIPTION for possible service replacement.



NOTE: Letters appearing within this illustration correspond to matching connections in other illustrations.

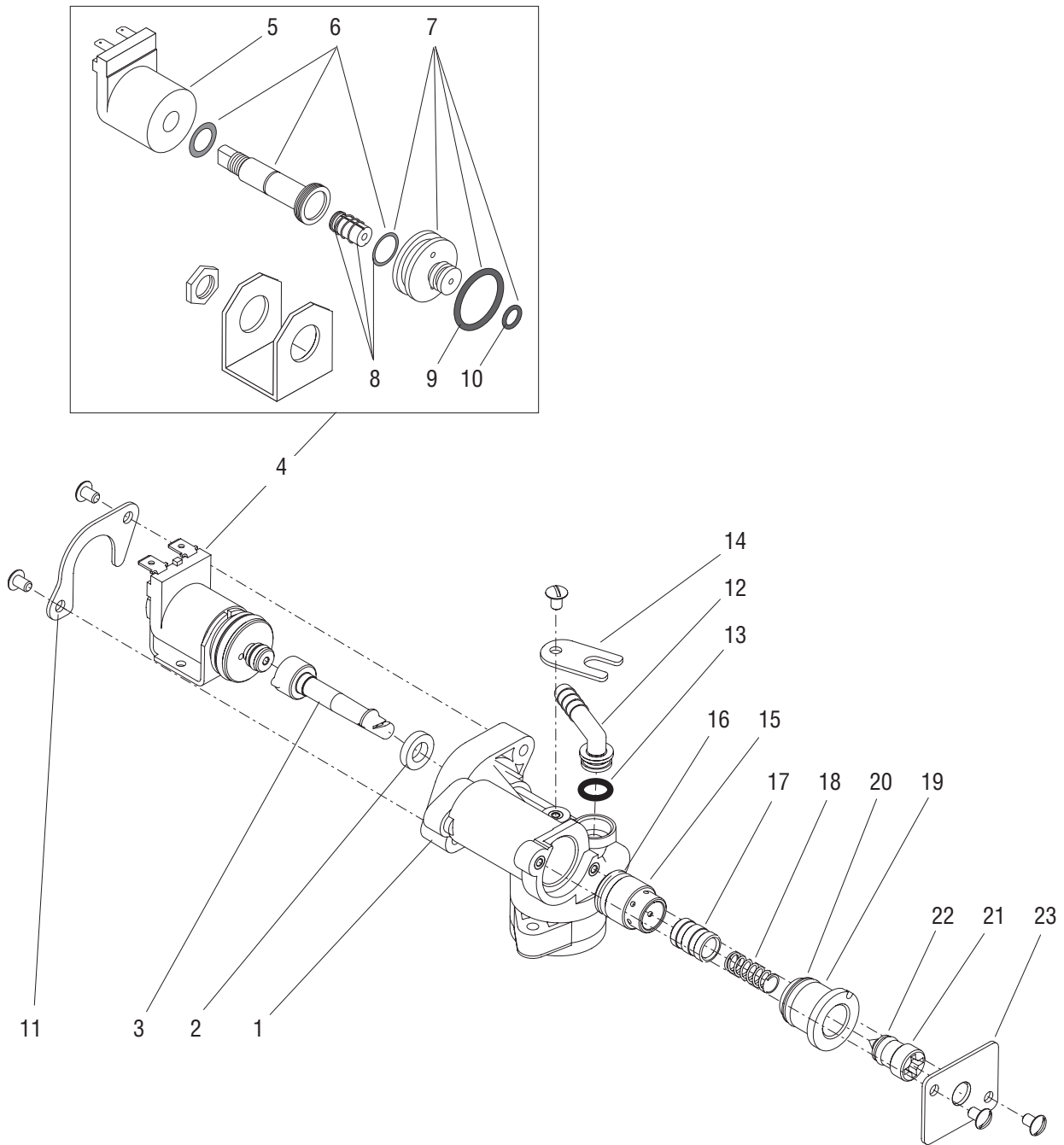
## DISPENSE PLATFORM ASSEMBLY

ITEM	PART NO.	QTY.	DESCRIPTION
-	38474.1000	1	Platform Assy (Includes items 1 - 19)
1	38121.0001	1	Platform
2	38104.0000	1	Thumbscrew
3	28759.0000	2	Pump Assy (Includes items 4 & 5)
4	28794.0000	2	Rotor
5	01370.0001	8	Screw, Pan Head #8-32 x 2.45"
6	28755.1011	2	Tube, Norprene .25" ID x 17.0" lg
7	32732.0000	2	Clamp .39"/.48"
8	32656.0000	2	Fitting, Elbow .25" Barb x .38" Barb
9	21275.0003	2	Clamp .57"/.70"
10	45848.0016	2	Hose, Flex .38" ID x 5.25" lg (Order item 20)
11	38018.1000	2	Dispense Valve (See DISPENSE VALVE)
	01308.0000	4	Screw, Truss Head #6-32 x 25"
12	38660.0001	1	Bracket
	01308.0000	4	Screw, Truss Head #6-32 x 25"
13	38120.0001	2	Fitting, Bottle Adapter
	01308.0000	4	Screw, Truss Head #6-32 x 25"
14	37786.0000	2	Plate
	01308.0000	2	Screw, Truss Head #6-32 x 25"
15	-----	1	Manifold, Plain Water (See PLAIN WATER MANIFOLD)
16	33781.0000	2	Gasket
17	32957.0000	8	Bushing, Rubber
18	32613.1003	2	Motor Assy
	01322.0001	4	Screw #8-32 x 1.25"

The following items are not illustrated

19	38873.1000	1	Harness, Dispense Platform
20	45848.1000	-	Hose, Flex .375" ID x 12.0" (Use as required)
	45848.1001	-	Hose, Flex .375" ID x 36.0" (Use as required)
	45848.1002	-	Hose, Flex .375" ID x 120.0" (Use as required)
21	39690.0000	-	Pump Tube (Includes items 6,7,8,9 & 10)

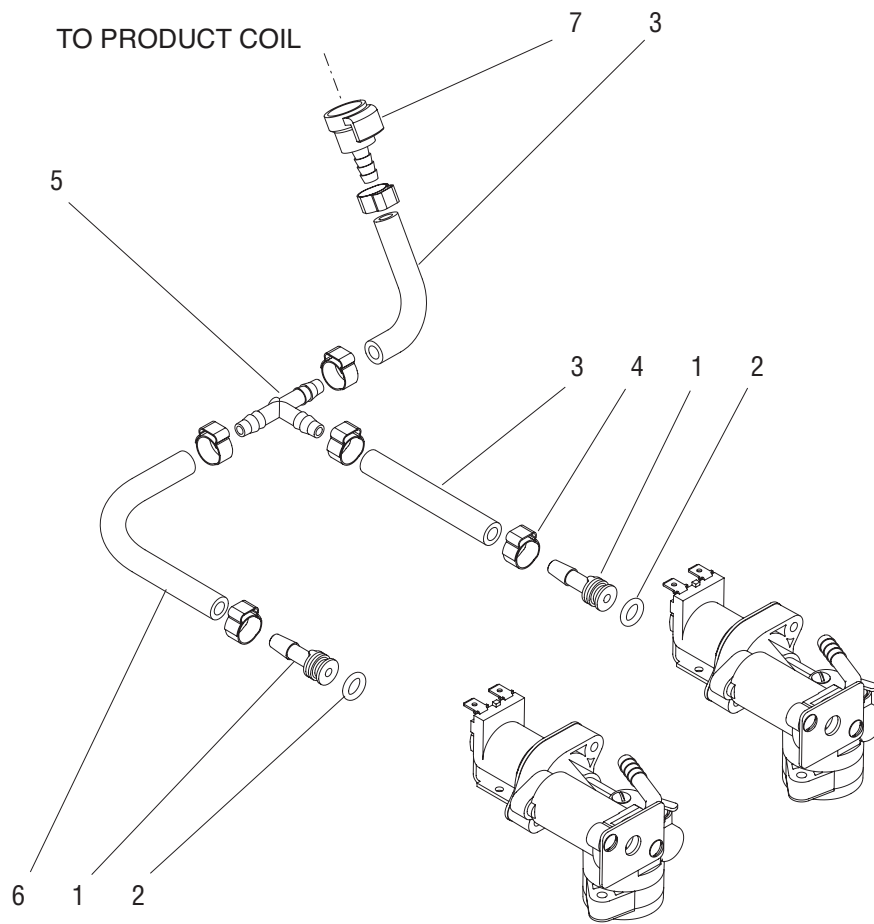
\* Indicates the part number listed is for reference only. See DESCRIPTION for possible service replacement.



## DISPENSE VALVE ASSEMBLY

ITEM	PART NO.	QTY.	DESCRIPTION
-	38018.1000	1	Dispense Valve Assy (Includes items 1 - 24)
1	37801.0001	1	Body
2	37990.0000	1	Seal
3	37843.0000	1	Nozzle, Water
4	32252.0000	1	Valve, Solenoid (Includes items 5 - 10)
5	33554.0000	1	Solenoid Valve Coil
6	28481.0000	1	Guide Kit (Includes Guide, Washer and O-ring)
7	33585.0000	1	Solenoid Valve Base Kit (Includes O-ring and items 6 & 7)
8	01111.0002	1	Solenoid Valve Repair Kit (Includes Plunger, Spring and O-ring)
9	33580.0000	1	O-ring
10	33553.0000	1	O-ring
11	37987.0000	1	Bracket
	01308.0000	2	Screw #6-32 x .25"
12	32463.0000	1	Fitting, Elbow
13	32849.0001	1	O-ring (Also use item 24)
14	37853.0000	1	Clamp
	01308.0000	1	Screw #6-32 x .25"
15	32603.0000	1	Sleeve
16	32852.0000	1	O-ring (Also use item 24)
17	32602.0000	1	Piston
18	32853.0001	1	Spring, Flow Control
19	32624.0000	1	Bonnet, Adjuster
20	33725.0000	1	O-ring (Also use item 24)
21	32623.0000	1	Adjuster, Position
22	32851.0000	1	O-ring (Also use item 24)
23	37977.0000	1	Bracket, Water Adjustment
	01308.0000	2	Screw #6-32 x .25"
24	M2568.1000	-	Grease, USDA H-1 (Use when assembling items 13,16,20 & 22)

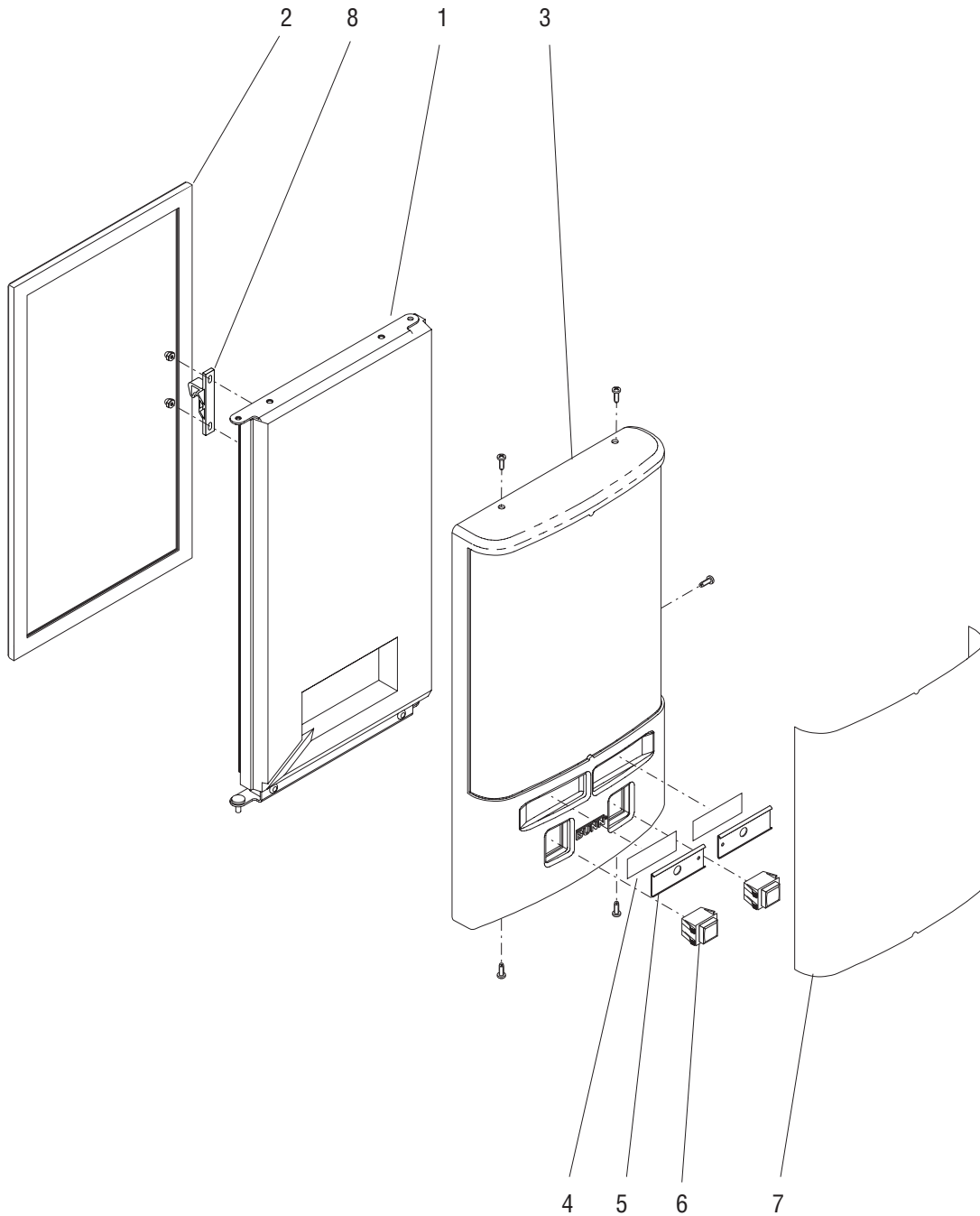
\* Indicates the part number listed is for reference only. See DESCRIPTION for possible service replacement.



## PLAIN WATER MANIFOLD

ITEM	PART NO.	QTY.	DESCRIPTION
1	32631.0000	2	Fitting, Straight
2	32849.0001	2	O-ring
3	46048.0003	2	Hose, Braided .25" ID x 3.0" (Order item 8)
4	21275.0011	6	Clamp .45 - .55"
5	38605.0000	1	Tee .25" Barb
6	46048.0004	1	Hose, Braided .25" ID x 5.25" (Order item 8)
7	34461.0000	1	Coupling, Quick Disconnect, Female
8	46048.1000	1	Hose, Braided .25" ID x 12.0" (Cut to required length)
	46048.1001	1	Hose, Braided .25" ID x 36.0" (Cut to required length)
	46048.1002	1	Hose, Braided .25" ID x 120.0" (Cut to required length)

\* Indicates the part number listed is for reference only. See DESCRIPTION for possible service replacement.





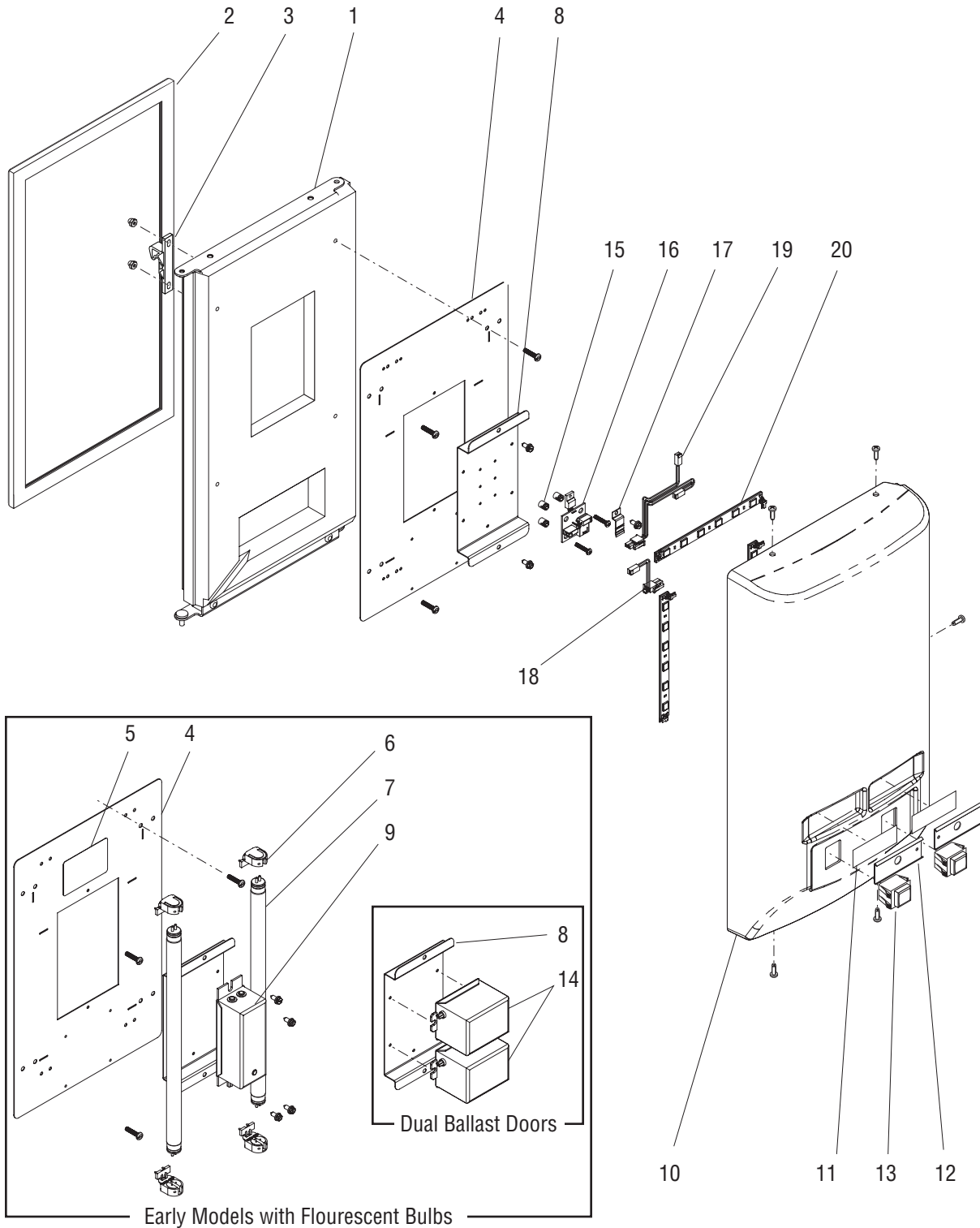
## DOOR ASSEMBLY - UNLITED

ITEM	PART NO.	QTY.	DESCRIPTION
1	38485.0000	1	Door, Inner (Includes item 2)
2	38568.0000	1	Gasket, Door
3	38476.0000*	1	Cover, Door Front
	02331.0001	5	Screw, Truss Head, Blk #10-32 x .375"
4	32819.0001	2	Strip, Adhesive
5	37018.0001	2	Flavor Label Holder
6	28296.0002	2	Switch, Dispense
7	38560.0000	1	Decal, Door Wrap (BUNN Juice)
	38560.0001	1	Decal, Door Wrap (BUNN Iced Coffee)
8	34667.0000	1	Keeper, Door Latch
	02319.0000	2	Nut, Acorn

The following items are not illustrated

9	38871.0000	1	Wiring Harness, Switches
10	32861.0000	-	Decals, Flavor (BUNN Juice)
	32861.0001	-	Decals, Flavor (BUNN Iced Coffee)

\* Indicates the part number listed is for reference only. See DESCRIPTION for possible service replacement.



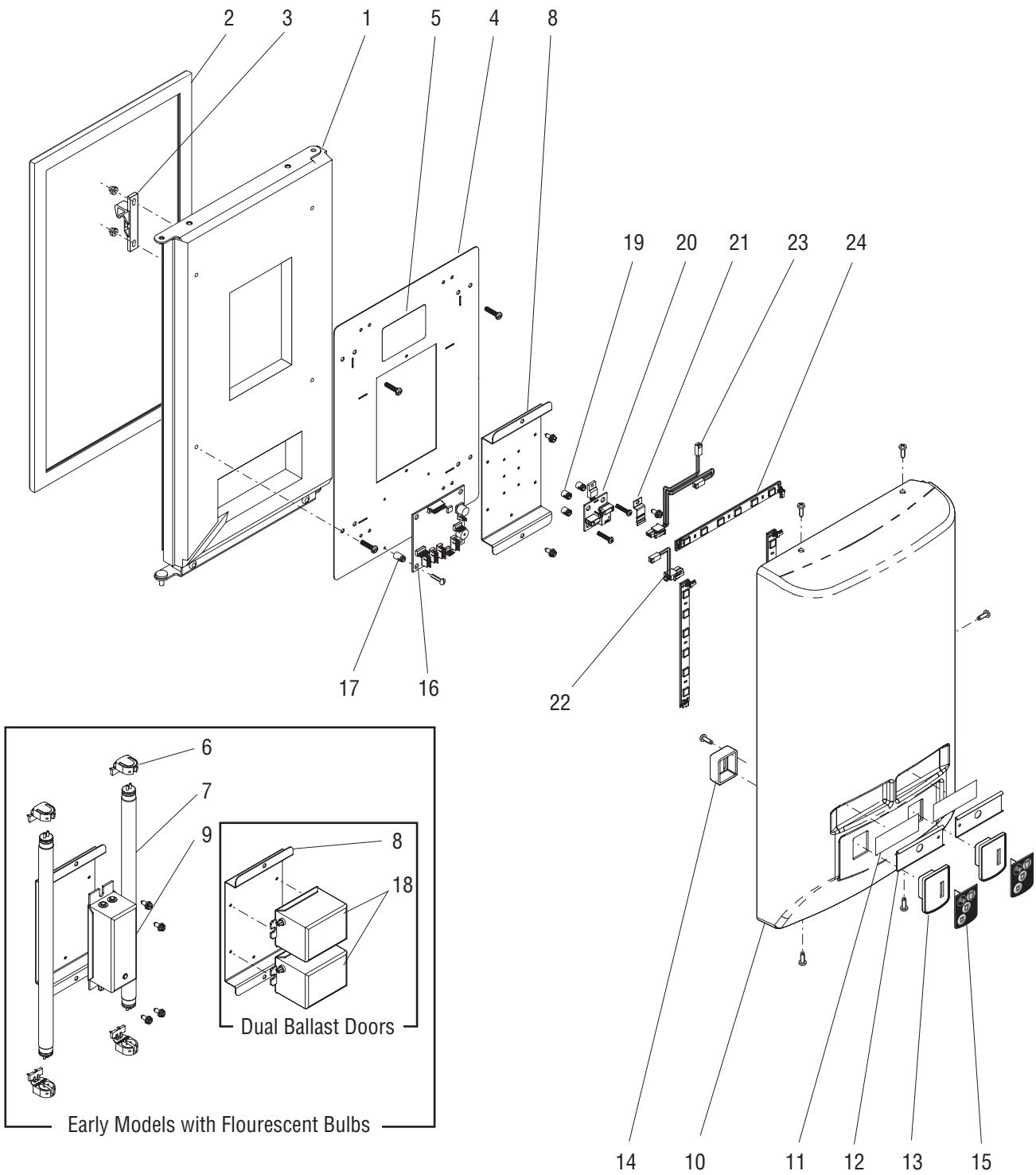
## DOOR ASSEMBLY - LITED w/MECHANICAL SWITCHES

ITEM	PART NO.	QTY.	DESCRIPTION
1	38485.0000	1	Door, Inner (Includes item 2)
2	38568.0000	1	Gasket, Door
3	34667.0000	1	Keeper, Door Latch
	02319.0000	2	Nut, Acorn
4	39721.0001	1	Panel, Light
	01370.0000	4	Screw, Pan Head #8-32 x .75"
5	40117.0000	1	Decal, Bulb Replacement (Early Models)
6	27543.0001	4	Lamp Holder (Early Models)
7	26239.0000	2	Lamp, Flourescent (Early Models)
8	40159.0001	1	Bracket
	02335.0001	2	Screw, Hex Crimptite #8 x .38"
9	40307.1000	1	Ballast (Single Ballast Doors)
	02335.0001	2	Screw, Hex Crimptite #8 x .38"
10	39699.0000	1	Cover, Door Front (Juice Display)
	39699.0001	1	Cover, Door Front (Iced Coffee Display)
	02331.0001	5	Screw, Truss Head, Blk #10-32 x .375"
11	32819.0001	2	Strip, Adhesive
12	37018.0001	2	Flavor Label Holder
13	28296.0002	2	Switch, Dispense
14	40307.0001	2	Ballast (Dual Ballast Doors)(Early Models)
	02335.0001	4	Screw, Hex Crimptite #8 x .38"
15	29081.0005	3	Spacer
16	41727.0000	1	Circuit Board
	14002.6300	3	Screw
17	41244.0000	1	Clip, Transducer
18	42609.0000	1	Wiring Harness
19	42609.0001	1	Wiring Harness
20	42593.0000	3	LED

The following items are not illustrated

21	38871.0000	1	Wiring Harness, Switches
22	32861.0000	-	Decals, Flavor (BUNN Juice)
	32861.0001	-	Decals, Flavor (BUNN Iced Coffee)
23	40469.0000	1	Wiring Harness, Ballast (Dual Ballast Doors)(Early Models)
24	21001.0731	4	Lead (For Each Lampholder)(Early Models)

\* Indicates the part number listed is for reference only. See DESCRIPTION for possible service replacement.



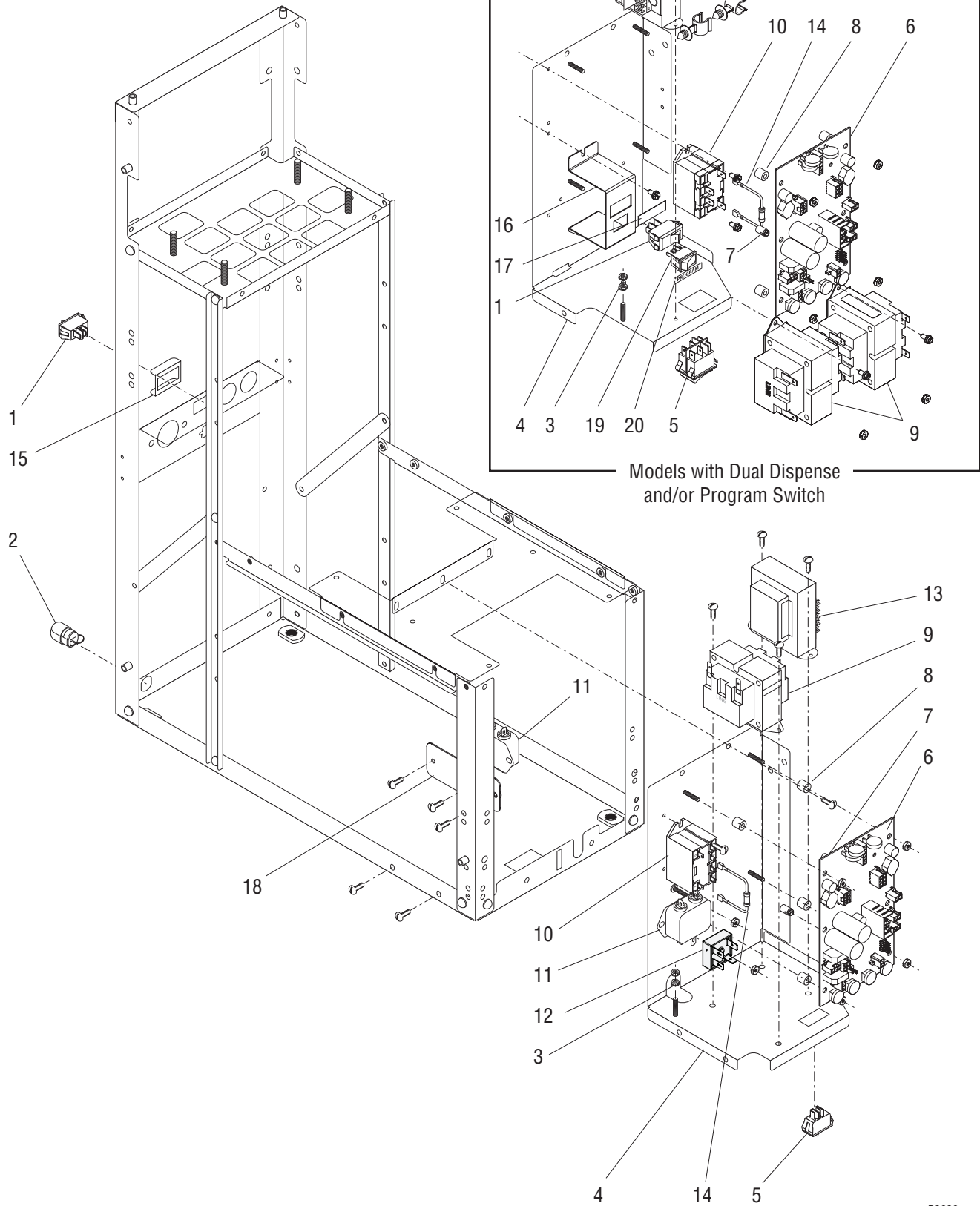
## DOOR ASSEMBLY - LITED w/MEMBRANE SWITCHES

ITEM	PART NO.	QTY.	DESCRIPTION
1	38485.0000	1	Door, Inner (Includes item 2)
2	38568.0000	1	Gasket, Door
3	34667.0000 02319.0000	1 2	Keeper, Door Latch Nut, Acorn
4	39721.0001 01370.0000	1 4	Panel, Light Screw, Pan Head #8-32 x .75"
5	40117.0000	1	Decal, Bulb Replacement (Early Models)
6	27543.0001	4	Lamp Holder (Early Models)
7	26239.0000	2	Lamp, Flourescent (Early Models)
8	40159.0001 02335.0001	1 2	Bracket Screw, Hex Crimptite #8 x .38"
9	40307.1000 02335.0001	1 2	Ballast (Single Ballast Doors) Screw, Hex Crimptite #8 x .38"
10	39699.0000 39699.0001 02331.0001	1 1 5	Cover, Door Front (Juice Display) Cover, Door Front (Iced Coffee Display) Screw, Truss Head, Blk #10-32 x .375"
11	32819.0001	2	Strip, Adhesive
12	37018.0001	2	Flavor Label Holder
13	40382.0000	2	Bezel, Switch
14	40381.0000 38837.0000	2 4	Retainer, Bezel Screw, Pan Head #4 x .50"
15	40606.0000 44971.0000	2 2	Membrane Switch (Portion Control Models) Membrane Switch (Push Button Models)
16	40875.0000 14002.6300	1 4	Circuit Board, Portion Control Screw, Pan Head #6-20 x .75"
17	29081.0000	4	Spacer, Circuit Board
18	40307.0001 02335.0001	2 4	Ballast (Dual Ballast Doors)(Early Models) Screw, Hex Crimptite #8 x .38"
19	29081.0005	3	Spacer
20	41727.0000 14002.6300	1 3	Circuit Board Screw
21	41244.0000	1	Clip, Transducer
22	42609.0000	1	Wiring Harness
23	42609.0001	1	Wiring Harness
24	42593.0000	3	LED

The following items are not illustrated

25	41202.0000 41202.0001	1 1	Wiring Harness, Door (Early Models w/ Flourescent Bulbs) Wiring Harness, Door (Late Models w/ LED Lights)
26	32861.0000 32861.0001	- -	Decals, Flavor (BUNN Juice) Decals, Flavor (BUNN Iced Coffee)
27	40469.0000	1	Wiring Harness, Ballast (Dual Ballast Doors) (Early Models)
28	21001.0731	4	Lead (For Each Lampholder) (Early Models)

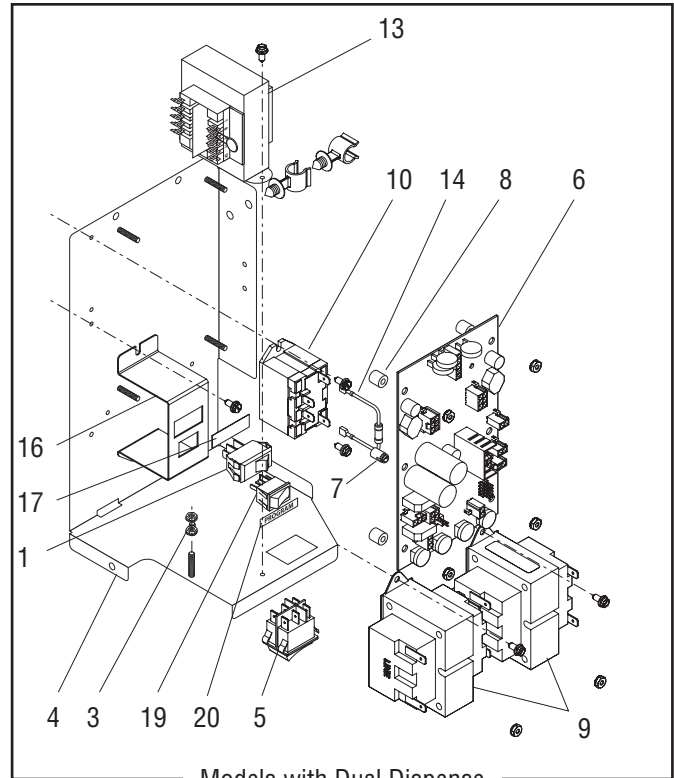
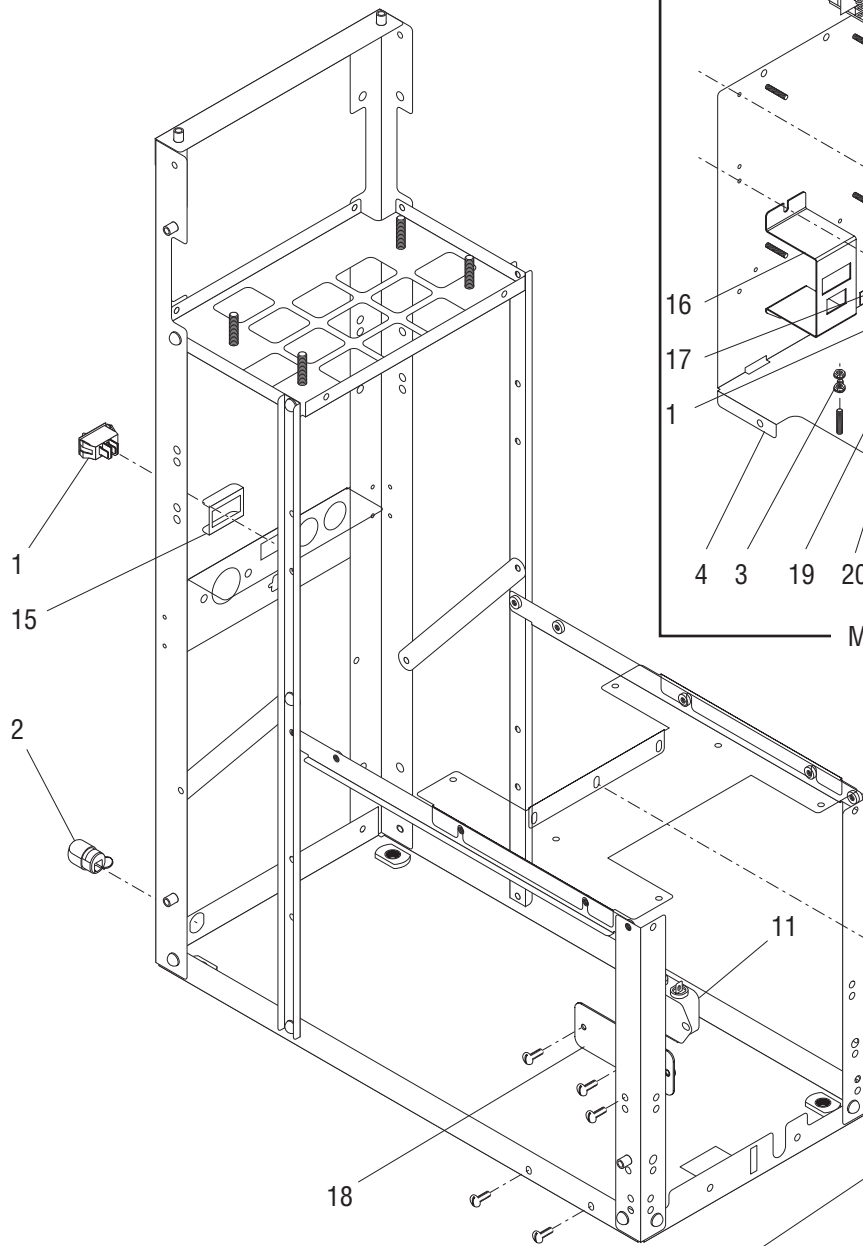
\* Indicates the part number listed is for reference only. See DESCRIPTION for possible service replacement.



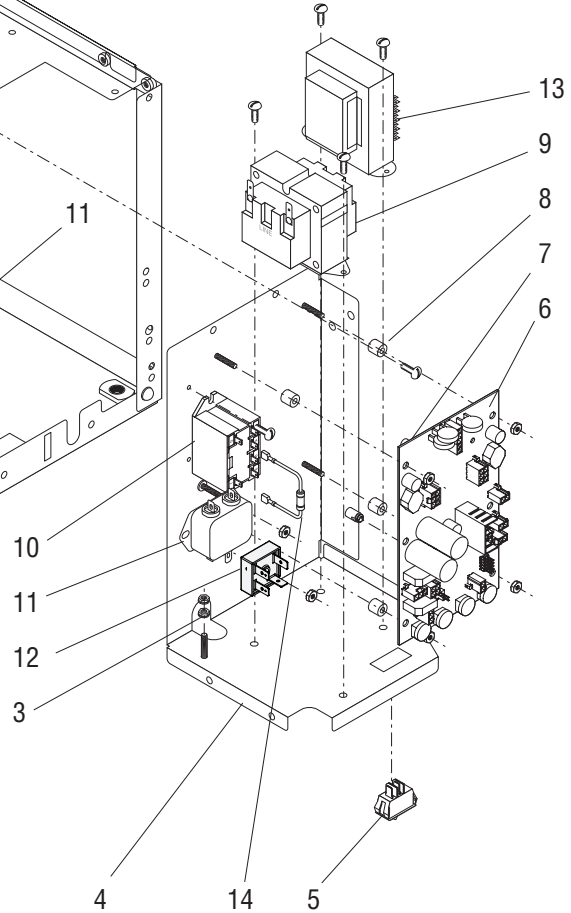
## ELECTRICAL COMPONENTS

ITEM	PART NO.	QTY.	DESCRIPTION
1	04786.0002	1	Switch, Compressor ON/OFF
2	00707.0000	1	Bushing, Strain Relief
3	00970.0000	2	Nut, Harness Grounding
4	39797.0000*	1	Enclosure (Standard)
	39797.0001*	1	Enclosure (Models with Dual Dispense)
	44237.0000*	1	Enclosure (Models with Program Switch)
	02308.0000	4	Screw, Pan Head #8-32 x .38"
5	39720.0000	1	Switch, Dispense Deck ON/OFF
6	40177.1000	1	Circuit Board
	00973.0000	4	Nut, Keps #6-32
7	29081.0000	2	Spacer
8	01533.0000	4	Spacer
9	39305.0000	1	Transformer 120V (One additional used with Dual Dispense)
	39417.0001	1	Transformer 230V
	02335.0001	2	Screw, Crimptite #8 x .38"
10	37711.0000	1	Relay 120V
	37711.0001	1	Relay 230V
	02335.0001	2	Screw, Crimptite #8 x .38"
11	29446.0000	1	EMI Filter 230V
	02335.0001	2	Screw, Crimptite #8 x .38"
12	22126.0000	1	Rectifier (Lited Doors w/ Flourescent Bulbs only)
	00973.0000	1	Nut, Keps #6-32
13	28860.0000	1	Transformer 120V (Models w/ Lited Door)
	28860.0001	1	Transformer 230V (Models w/ Lited Door)
	02335.0001	2	Screw, Crimptite #8 x .38"
14	40770.0000	1	Resistor 230V
15	40773.0001	1	Switch Guard (Early Models)
16	41503.0000	1	Bracket, Switch (Models with Front Mounted Compressor Sw.)
	44155.0000	1	Bracket, Switch (Models with Program Sw.)
	02335.0001	1	Screw, Crimptite #8 x .38"
	00973.0000	2	Nut, Keps #6-32
17	41509.0000	1	Decal, Compressor Switch (Models with Front Mounted Compressor Sw.)
18	41411.0000	1	Bracket, EMI Filter (Models with Front Mounted Compressor Sw.)
	02335.0001	1	Screw, Crimptite #8 x .38"
	02328.0003	2	Screw, Pan Head #6-32 x .312"
	00973.0000	2	Nut, Keps #6-32
19	20317.0004	1	Switch, Program
20	44240.0000	1	Decal, Program

\* Indicates the part number listed is for reference only. See DESCRIPTION for possible service replacement.



Models with Dual Dispense  
and/or Program Switch

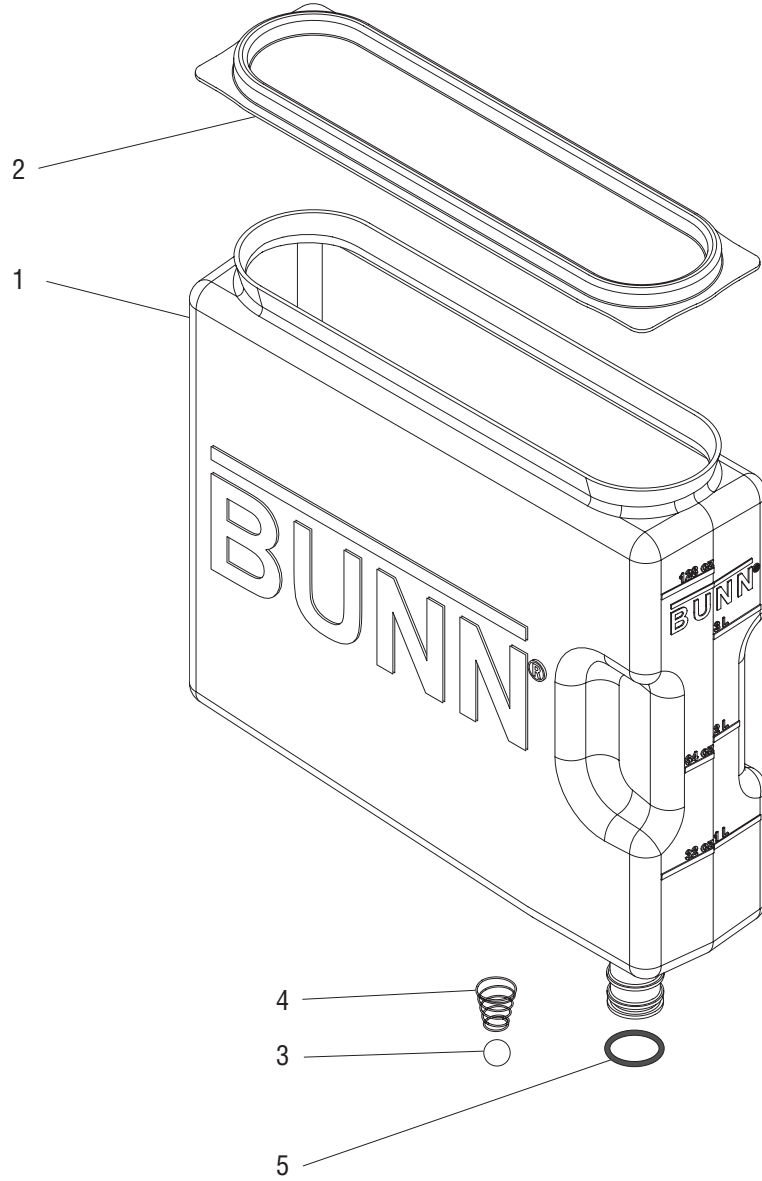




## ELECTRICAL COMPONENTS

ITEM	PART NO.	QTY.	DESCRIPTION
The following items are not illustrated			
21	20630.0013	1	Power Cord 120V
	27728.0009	1	Power Cord 230V
22	38870.0000	1	Wiring Harness, Transformer to Circuit Bd. (One additional used with Dual Dispense)
23	40118.0000	1	Wiring Harness, Transformer to Circuit Board (Lited Doors)
24	38869.0001	1	Wiring Harness, Main 120V (Models with rear mounted refrigeration switch)
	38869.0002	1	Wiring Harness, Main 120V (Models with front mounted refrigeration switch)
25	38873.1000	1	Wiring Harness, Platform
26	38872.0001	1	Wiring Harness, Unlited Door
	38872.0002	1	Wiring Harness, Unlited Door (Models with Program Sw.)
	40044.0002	1	Wiring Harness, Lited Door (Models with Flourescent Bulbs)
	40044.0003	1	Wiring Harness, Lited Door (Models with LED Lighting)
27	39198.0000	1	Wiring Harness, EMI Filter 230V
28	41436.0000	1	Wiring Harness, Transformer Jumper (Models with Dual Dispense)
29	41203.0000	1	Wiring Harness, Dispense Disable Switch (Models with Portion Control)
	41203.0001	1	Wiring Harness, Dispense Disable Switch (Models with Program Sw.)
30	41202.0000	1	Wiring Harness, Lited Door (Models with LED Lighting) (Models w/ Portion Control)
	41202.0005	1	Wiring Harness, Lited Door (Models with LED Lighting)(Models w/ Program Sw.)

\* Indicates the part number listed is for reference only. See DESCRIPTION for possible service replacement.



## REFILLABLE CONTAINER ASSEMBLY

ITEM	PART NO.	QTY.	DESCRIPTION
-	39302.0000	1	Container Assy (Includes items 1-5)
1	39301.0000*	1	Container
2	39299.0000	1	Lid
3	00598.0002	1	Ball (Early Models)
4	32877.0000	1	Spring (Early Models)
5	34261.0000	1	O-ring

\* Indicates the part number listed is for reference only. See DESCRIPTION for possible service replacement.

## NUMERICAL INDEX

PART NO.	PAGE NO.	PART NO.	PAGE NO.	PART NO.	PAGE NO.	PART NO.	PAGE NO.
00396.0002.....	9,11	27543.0001.....	35	33585.0000.....	29	38485.0000.....	33,35,37
00598.0002.....	43	27543.0001.....	37	33602.0000.....	17	38560.0000.....	33
00656.0001.....	5	27728.0009.....	41	33603.0000.....	17	38560.0001.....	33
00668.0000.....	5	28296.0002.....	33,35	33603.0001.....	17	38568.0000.....	33,35,37
00669.0002.....	7	28481.0000.....	29	33669.0000.....	7	38605.0000.....	19,31
00707.0000.....	39	28567.0000.....	9,11	33725.0000.....	29	38606.0000.....	5
00901.0000.....	9,11	28755.1011.....	27	33781.0000.....	27	38615.0000.....	5
00970.0000.....	39	28759.0000.....	27	33801.0001.....	19	38615.0001.....	5
00973.0000.....	39	28794.0000.....	27	34010.0001.....	7	38616.0000.....	7
00973.0001.....	19	28860.0000.....	39	34261.0000.....	43	38617.1001.....	5
00986.7000.....	5	28860.0001.....	39	34325.0004.....	25	38654.0000.....	5
01111.0002.....	29	28891.1000.....	19	34362.0002.....	7	38660.0001.....	27
01308.0000.....	27	29081.0000.....	37,39	34416.0000.....	19	38661.0000.....	5
01308.0000.....	29	29081.0005.....	35,37	34418.0001.....	9,11	38662.0000.....	19
01322.0001.....	27	29421.0000.....	23	34419.0001.....	7	38716.1001.....	5
01359.0000.....	7	29446.0000.....	39	34421.0001.....	7	38717.1001.....	5
01370.0000.....	35,37	29951.0002.....	9,11	34422.0003.....	7	38718.1003.....	5
01370.0001.....	27	32089.0001.....	11	34460.0000.....	25	38719.1001.....	5
01388.0000.....	7	32204.1001.....	17	34461.0000.....	31	38765.1000.....	5
01512.0000.....	5	32204.1002.....	17	34529.0000.....	9,11	38827.0000.....	19
01533.0000.....	39	32252.0000.....	29	34644.0000.....	21,23	38827.0001.....	19
02308.0000.....	5,7,9,11,19,39	32283.0000.....	25	34666.0001.....	7	38828.1000.....	19
02319.0000.....	33,35,37	32461.0000.....	7	34667.0000.....	33,35,37	38829.0000.....	21
02328.0003.....	39	32463.0000.....	29	34738.0001.....	7	38833.0000.....	19
02331.0001.....	5,7,33,35,37	32591.0014.....	19	34741.0000.....	7	38833.0001.....	19
02335.0001.....	5,9,11,35,37,39	32591.1001.....	21	34784.0000.....	7	38837.0000.....	37
03996.0000.....	5	32591.1002.....	21	34785.0001.....	7	38857.0000.....	7
04786.0002.....	39	32602.0000.....	29	34790.0001.....	7	38869.0001.....	41
11707.0009.....	19	32603.0000.....	29	34790.0002.....	7	38869.0002.....	41
11707.0016.....	19	32613.1003.....	27	35164.1001.....	9,11	38870.0000.....	41
11707.0043.....	19	32623.0000.....	29	35165.1003.....	19	38871.0000.....	33,35
11707.0044.....	7	32624.0000.....	29	35175.1002.....	9,11	38872.0001.....	41
11707.1000.....	7,21	32631.0000.....	31	35178.0000.....	9,11	38872.0002.....	41
11707.1001.....	21	32656.0000.....	27	35272.0002.....	19	38873.1000.....	27,41
11707.1002.....	21	32732.0000.....	27	35930.0000.....	7	38896.0000.....	13
12467.1002.....	9,11	32776.0000.....	9,11	36233.1005.....	25	38897.0000.....	13
12468.1002.....	9,11	32819.0001.....	33,35,37	36233.1006.....	25	38897.0001.....	13
14002.6300.....	35,37	32848.0000.....	7	36329.0002.....	19	38916.0000.....	13
20317.0004.....	39	32849.0001.....	29,31	37018.0001.....	33,35,37	38917.0000.....	13
20630.0013.....	41	32851.0000.....	29	37297.1001.....	25	38918.0000.....	13
21001.0731.....	35,37	32852.0000.....	29	37711.0000.....	39	38921.0001.....	9
21275.0003.....	19,23,25,27	32853.0001.....	29	37711.0001.....	39	38922.0001.....	9
21275.0011.....	25,31	32861.0000.....	33,35,37	37786.0000.....	27	38924.0000.....	19
21436.0000.....	5	32861.0001.....	33,35,37	37801.0001.....	29	38925.0000.....	19
22126.0000.....	39	32877.0000.....	43	37843.0000.....	29	38934.0001.....	9
23700.0000.....	17	32957.0000.....	27	37850.0000.....	19,23	38937.0001.....	9
24544.0000.....	7,19	33153.0000.....	19	37853.0000.....	29	38937.0001.....	11
26239.0000.....	35,37	33297.0000.....	7	37977.0000.....	29	38943.1000.....	21
26528.0000.....	5	33461.0001.....	5	37987.0000.....	29	38950.0000.....	5
26801.0000.....	5	33519.0001.....	19	37990.0000.....	29	39086.0000.....	7
27243.0000.....	9,11,19	33522.1002.....	13	38018.1000.....	27,29	39198.0000.....	41
27258.0000.....	17	33522.1003.....	13	38104.0000.....	27	39299.0000.....	43
27354.0000.....	5	33533.0000.....	19	38120.0001.....	27	39301.0000.....	43
27394.0000.....	7	33553.0000.....	29	38121.0001.....	27	39302.0000.....	43
27410.0000.....	19	33554.0000.....	29	38474.1000.....	27	39305.0000.....	39
27442.7000.....	5	33580.0000.....	29	38476.0000.....	33	39417.0001.....	39

## NUMERICAL INDEX

PART NO.	PAGE NO.	PART NO.	PAGE NO.	PART NO.	PAGE NO.	PART NO.	PAGE NO.
39491.1002.....	5	43694.0000.....	7				
39491.1003.....	5	44015.1000.....	5				
39690.0000.....	27	44155.0000.....	39				
39699.0000.....	35,37	44237.0000.....	39				
39699.0001.....	35,37	44240.0000.....	39				
39720.0000.....	39	44745.0000.....	5				
39721.0001.....	35,37	44971.0000.....	37				
39797.0000.....	39	45706.0001.....	5				
39797.0001.....	39	45848.0000.....	19,23				
39907.0000.....	13	45848.0001.....	19				
39908.0002.....	13	45848.0002.....	23				
39908.0003.....	13	45848.0005.....	25				
39912.0002.....	13	45848.0016.....	25,27				
39912.0003.....	13	45848.0019.....	19				
40044.0002.....	41	45848.1000.....	21,23,25,27				
40044.0003.....	41	45848.1001.....	21,23,25,27				
40071.0001.....	25	45848.1002.....	21,23,25,27				
40103.1000.....	7	45896.0000.....	15				
40103.1001.....	7	45897.0000.....	15				
40103.1002.....	7	45898.0000.....	15				
40103.1003.....	7	45898.0001.....	15				
40117.0000.....	35,37	45899.0000.....	15				
40118.0000.....	41	45899.0001.....	15				
40159.0001.....	35,37	45901.0000.....	15				
40177.1000.....	39	45901.0001.....	15				
40307.0001.....	35,37	45908.0000.....	15				
40307.1000.....	35,37	45909.0000.....	15				
40381.0000.....	37	45928.0000.....	21,23				
40382.0000.....	37	46048.0003.....	31				
40469.0000.....	35,37	46048.0004.....	31				
40606.0000.....	37	46048.0008.....	25				
40770.0000.....	39	46048.1000.....	25,31				
40773.0001.....	39	46048.1001.....	25,31				
40875.0000.....	37	46048.1002.....	25,31				
41105.0003.....	11	46112.0001.....	11				
41202.0000.....	37,41	46113.0001.....	11				
41202.0001.....	37	M2550.0000.....	7				
41202.0005.....	41	M2336.1000.....	9,11,21,23,25				
41203.0000.....	41	M2337.1000.....	21				
41203.0001.....	41	M2546.1000.....	9,11				
41244.0000.....	35,37	M2568.1000.....	29				
41385.0000.....	7						
41396.0000.....	13						
41397.0000.....	13						
41398.0000.....	13						
41411.0000.....	39						
41436.0000.....	41						
41503.0000.....	39						
41509.0000.....	39						
41640.0000.....	25						
41727.0000.....	35,37						
42478.1001.....	5						
42593.0000.....	35,37						
42609.0000.....	35,37						
42609.0001.....	35,37						
43644.0000.....	25						