

BUNN®

DUAL® **TF DBC**® **W/SMART FUNNEL**®



ILLUSTRATED PARTS CATALOG

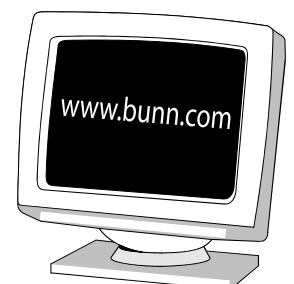
Designs, materials, weights, specifications, and dimensions for equipment or replacement parts are subject to change without notice.

BUNN-O-MATIC CORPORATION

POST OFFICE BOX 3227

SPRINGFIELD, ILLINOIS 62708-3227

PHONE: (217) 529-6601 FAX: (217) 529-6644



BUNN-O-MATIC COMMERCIAL PRODUCT WARRANTY

Bunn-O-Matic Corp. ("BUNN") warrants equipment manufactured by it as follows:

- 1) Airpots, thermal carafes, decanters, GPR servers, iced tea/coffee dispensers, MCP/MCA pod brewers thermal servers and Thermofresh servers (mechanical and digital)- 1 year parts and 1 year labor.
- 2) All other equipment - 2 years parts and 1 year labor plus added warranties as specified below:
 - a) Electronic circuit and/or control boards - parts and labor for 3 years.
 - b) Compressors on refrigeration equipment - 5 years parts and 1 year labor.
 - c) Grinding burrs on coffee grinding equipment to grind coffee to meet original factory screen sieve analysis - parts and labor for 4 years or 40,000 pounds of coffee, whichever comes first.

These warranty periods run from the date of installation BUNN warrants that the equipment manufactured by it will be commercially free of defects in material and workmanship existing at the time of manufacture and appearing within the applicable warranty period. This warranty does not apply to any equipment, component or part that was not manufactured by BUNN or that, in BUNN's judgment, has been affected by misuse, neglect, alteration, improper installation or operation, improper maintenance or repair, non periodic cleaning and descaling, equipment failures related to poor water quality, damage or casualty. In addition, the warranty does not apply to replacement of items subject to normal use including but not limited to user replaceable parts such as seals and gaskets. This warranty is conditioned on the Buyer 1) giving BUNN prompt notice of any claim to be made under this warranty by telephone at (217) 529-6601 or by writing to Post Office Box 3227, Springfield, Illinois 62708-3227; 2) if requested by BUNN, shipping the defective equipment prepaid to an authorized BUNN service location; and 3) receiving prior authorization from BUNN that the defective equipment is under warranty.

THE FOREGOING WARRANTY IS EXCLUSIVE AND IS IN LIEU OF ANY OTHER WARRANTY, WRITTEN OR ORAL, EXPRESS OR IMPLIED, INCLUDING, BUT NOT LIMITED TO, ANY IMPLIED WARRANTY OF EITHER MERCHANTABILITY OR FITNESS FOR A PARTICULAR PURPOSE. The agents, dealers or employees of BUNN are not authorized to make modifications to this warranty or to make additional warranties that are binding on BUNN. Accordingly, statements by such individuals, whether oral or written, do not constitute warranties and should not be relied upon.

If BUNN determines in its sole discretion that the equipment does not conform to the warranty, BUNN, at its exclusive option while the equipment is under warranty, shall either 1) provide at no charge replacement parts and/or labor (during the applicable parts and labor warranty periods specified above) to repair the defective components, provided that this repair is done by a BUNN Authorized Service Representative; or 2) shall replace the equipment or refund the purchase price for the equipment.

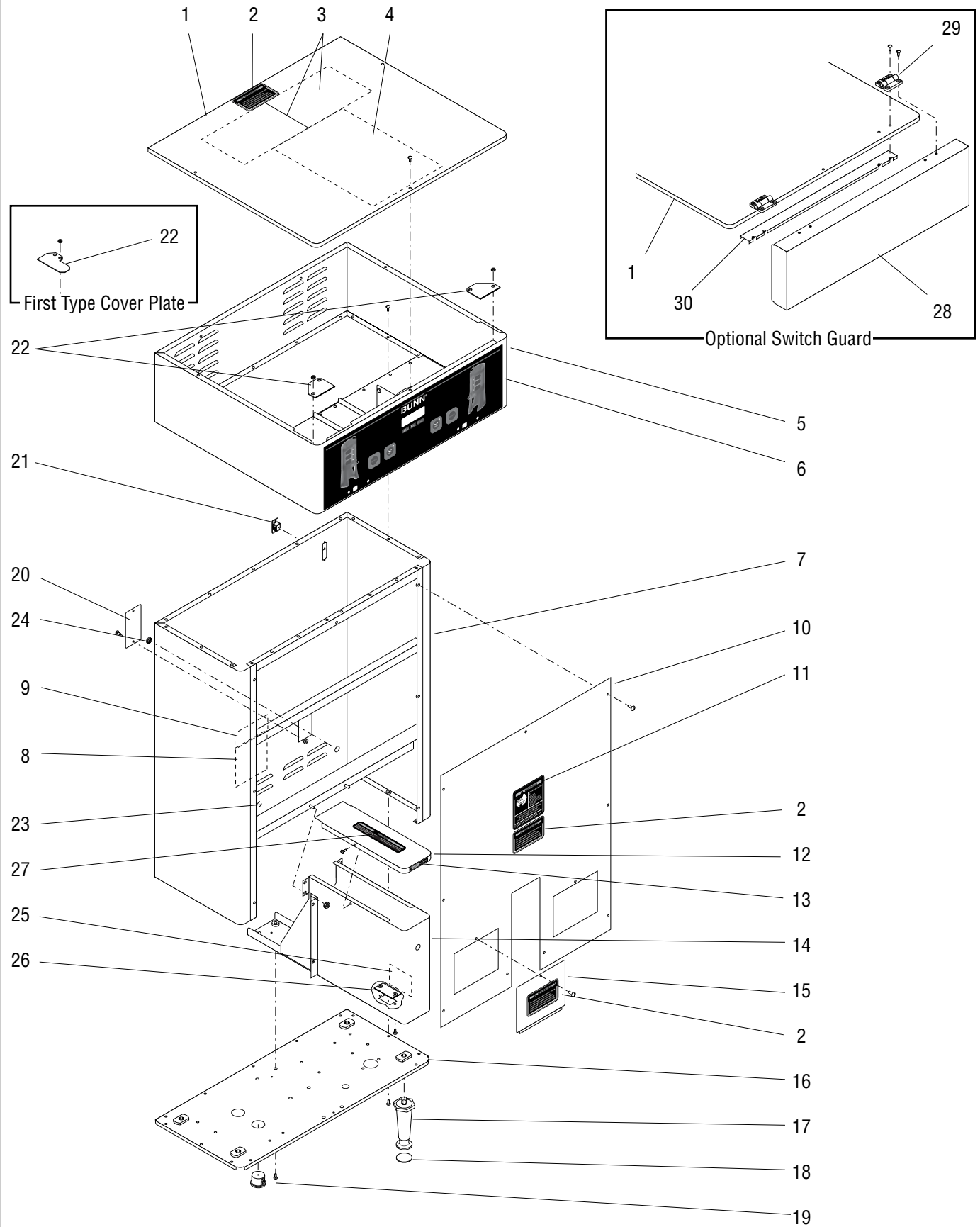
THE BUYER'S REMEDY AGAINST BUNN FOR THE BREACH OF ANY OBLIGATION ARISING OUT OF THE SALE OF THIS EQUIPMENT, WHETHER DERIVED FROM WARRANTY OR OTHERWISE, SHALL BE LIMITED, AT BUNN'S SOLE OPTION AS SPECIFIED HEREIN, TO REPAIR, REPLACEMENT OR REFUND.

In no event shall BUNN be liable for any other damage or loss, including, but not limited to, lost profits, lost sales, loss of use of equipment, claims of Buyer's customers, cost of capital, cost of down time, cost of substitute equipment, facilities or services, or any other special, incidental or consequential damages.

392, A Partner You Can Count On, AutoPOD, AXIOM, BrewLOGIC, BrewMETER, Brew Better Not Bitter, BrewWISE, BrewWIZARD, BUNN Espresso, BUNN Family Gourmet, BUNN Gourmet, BUNN Pour-O-Matic, BUNN, BUNN with the stylized red line, BUNNlink, Bunn-O-Matic, Bunn-O-Matic, BUNNserve, BUNNSERVE with the stylized wrench design, Cool Froth, DBC, Dr. Brew stylized Dr. design, Dual, Easy Pour, EasyClear, EasyGard, FlavorGard, Gourmet Ice, Gourmet Juice, High Intensity, iMIX, Infusion Series, Intellisteam, My Café, Phase Brew, PowerLogic, Quality Beverage Equipment Worldwide, Respect Earth, Respect Earth with the stylized leaf and coffee cherry design, Safety-Fresh, savemycoffee.com, Scale-Pro, Silver Series, Single, Smart Funnel, Smart Hopper, SmartWAVE, Soft Heat, SplashGard, The Mark of Quality in Beverage Equipment Worldwide, ThermoFresh, Titan, trifecta, Velocity Brew, Air Brew, Air Infusion, Beverage Bar Creator, Beverage Profit Calculator, Brew better, not bitter., BUNNSource, Coffee At Its Best, Cyclonic Heating System, Daypart, Digital Brewer Control, Element, Nothing Brews Like a BUNN, Pouring Profits, Signature Series, Tea At Its Best, The Horizontal Red Line, Ultra are either trademarks or registered trademarks of Bunn-O-Matic Corporation. The commercial trifecta® brewer housing configuration is a trademark of Bunn-O-Matic Corporation.

TABLE OF CONTENTS

Base - Trunk - Hood - Covers & Panels	4
Electrical Controls	22
Faucet.....	20
Funnel.....	28
Inlet Valve and Line	16
Numerical Index	30
Sprayhead Valve, Water By-Pass Valve and Sprayhead	18
Strainer, Solenoid & Lines (Models with .25" Tubing).....	12
Strainer, Solenoid & Lines (Models with .38" Tubing).....	14
Tank and Mounting Brackets	10
Tank Heater & Overflow Protection Devices	8

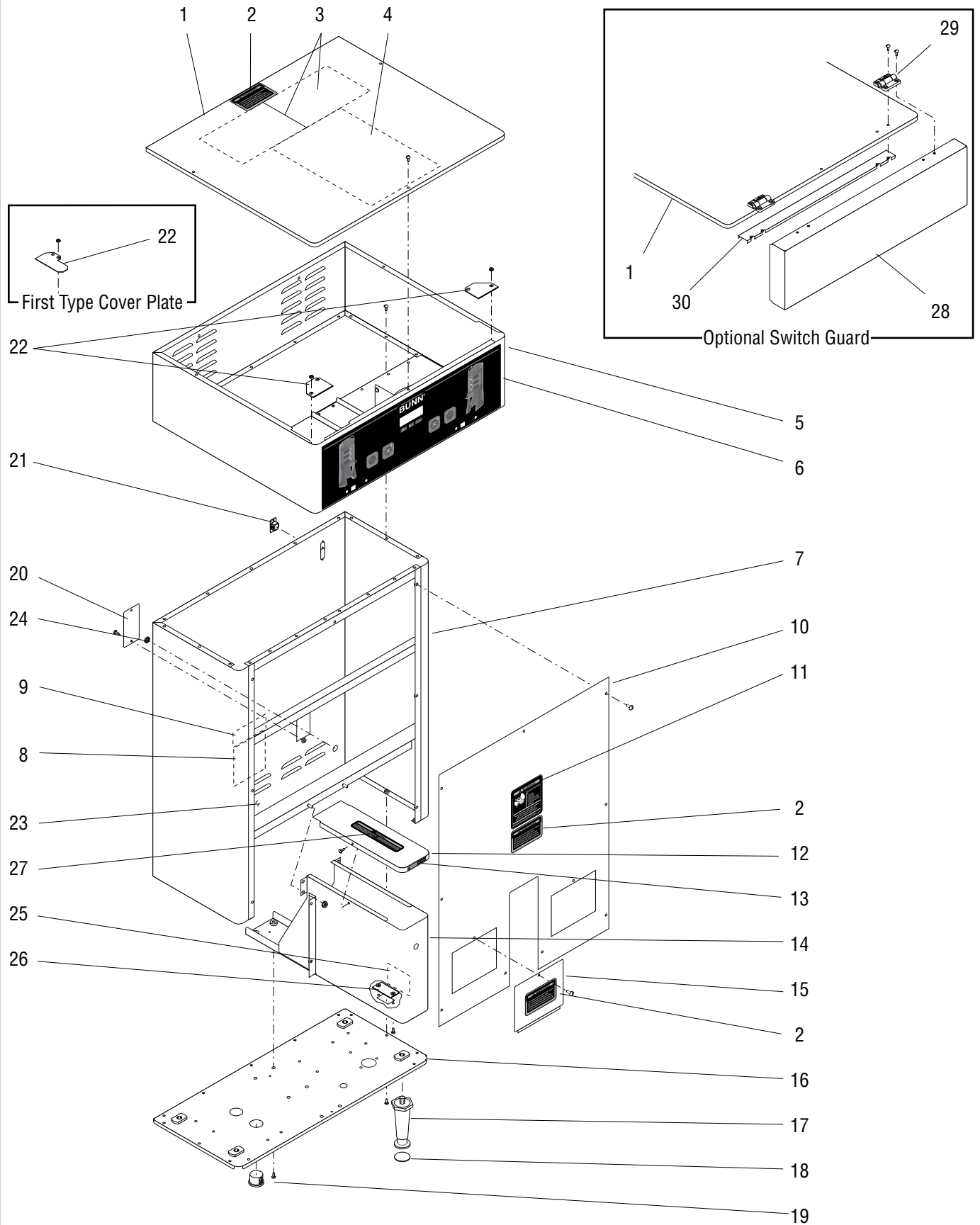


BASE - TRUNK - HOOD - COVERS & PANELS

ITEM	PART NO.	QTY.	DESCRIPTION
1	34555.1001	1	Cover Assy, Top BLK (Includes item 2, 3 & 4) (120/240V)
	34555.1002	1	Cover Assy, Top BLK (Includes item 2, 3 & 4) (120/240V 3 Phase)
	34555.1003	1	Cover Assy, Top BLK (Includes item 2 & 3)
	34555.1005	1	Cover Assy, Top BLK (Includes item 2 & 3) (Optional Switch Guard)
	01308.0003	3	Screw, Truss Head BLK #6 - 32 x .25" Locking
2	37881.0000	4	Decal, "No Serviceable Parts"
3	25151.0000	2	Shield, Insulator
4	34916.0000	1	Schematic, 120/240V Single Phase
	34916.0001	1	Schematic, 120/240V 3 Phase
	34916.0003	1	Schematic, 120/240V Multi Phase 4 Wire
	34916.0004	1	Schematic, 208/240V Multi Phase 3 Wire W/O Neutral
5	34550.1004	1	Hood SST (Includes item 6)
	34550.1005	1	Hood BLK (Includes item 6)
	02308.0000	19	Screw, Pn-Hd #8 - 32 x .375"
6	34802.0000	1	Switch, Membrane
7	34630.1000	1	Trunk W/Decals SST (Includes items 8 & 9)
	34630.1001	1	Trunk W/Decals BLK (Includes items 8 & 9)
	34630.1002	1	Trunk W/Decals SST 230V (Includes items 8, 9 & 23)
	34630.1003	1	Trunk W/Decals BLK 230V (Includes items 8, 9 & 23)
8	00986.0000	1	Decal, Warning - Electrical
9	00656.0001	1	Decal, Comply to Plumbing Code
10	34953.1000	1	Panel W/Decals, Trunk SST (Includes items 2 & 11)
	34953.1001	1	Panel W/Decals, Trunk BLK (Includes items 2 & 11)
	01311.0000	9	Screw, Truss Head SST #8 - 32 x .25"
	01311.0004	9	Screw, Truss Head BLK #8 - 32 x .25"
11	00658.0000	1	Decal, Caution - Decanter/Funnel
12	34603.1001	1	Cover W/Decal, Faucet BLK (Includes item 13 and 27)
	01303.0002	2	Screw, Pn-Hd BLK #4 - 40 x .50"
13	36302.0000	1	Decal, Caution Hot Water
14	34920.0000	1	Support, Center SST
	34920.0001	1	Support, Center BLK
	34920.0004	1	Support, Center SST
	34920.0005	1	Support, Center BLK
	20631.0000	6	Screw, Pn-Hd .25"-20 x .75" (Early Units)
	00970.0000	4	Nut, Keps #8-32 Zinc PL (Late Units)
15	34948.1000	2	Plate, Access SST (Includes item 2)
	34948.1001	2	Plate, Access BLK (Includes item 2)
	01308.0002	2	Screw, Truss Head SST #6 - 32 x .25" Locking
	01308.0003	2	Screw, Truss Head BLK #6 - 32 x .25" Locking
16	34613.0004	1	Base Housing SST
	34613.0005	1	Base Housing BLK
	34613.0008	1	Base Housing SST
	34613.0009	1	Base Housing BLK
	34613.0015	1	Base Housing SST (208/240V 3 Wire Multi Phase models)
	34613.0016	1	Base Housing SST (120/208 - 120/240V 4 Wire Multi Phase models)
	34613.0021	1	Base Housing SST (230/400V 3 Phase models)
	02308.0000	13	Screw, Pan Head #8 - 32 x .375"

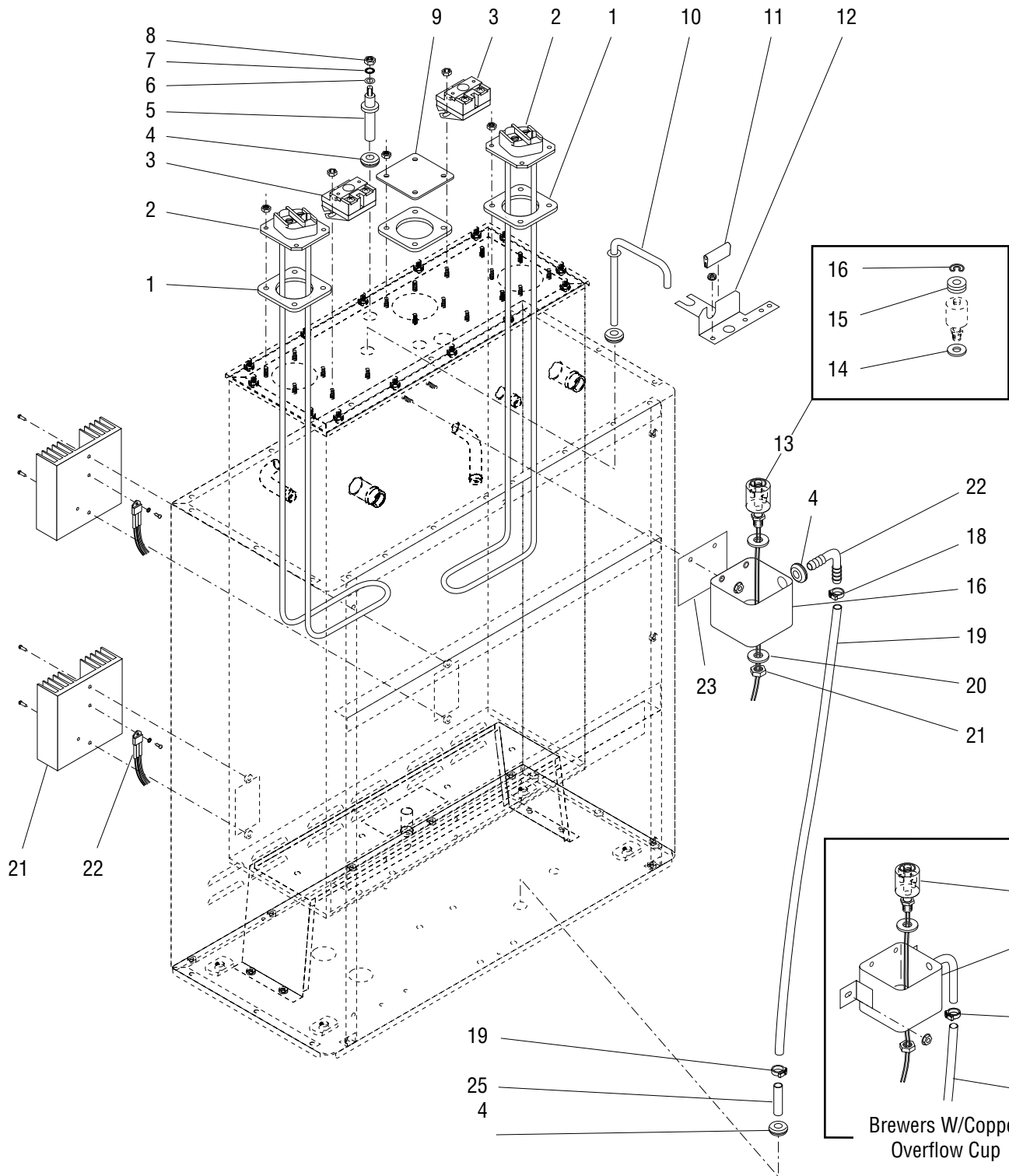
(continued)

* Indicates the part number listed is for reference only. See DESCRIPTION for possible service replacement.



BASE - TRUNK - HOOD - COVERS & PANELS

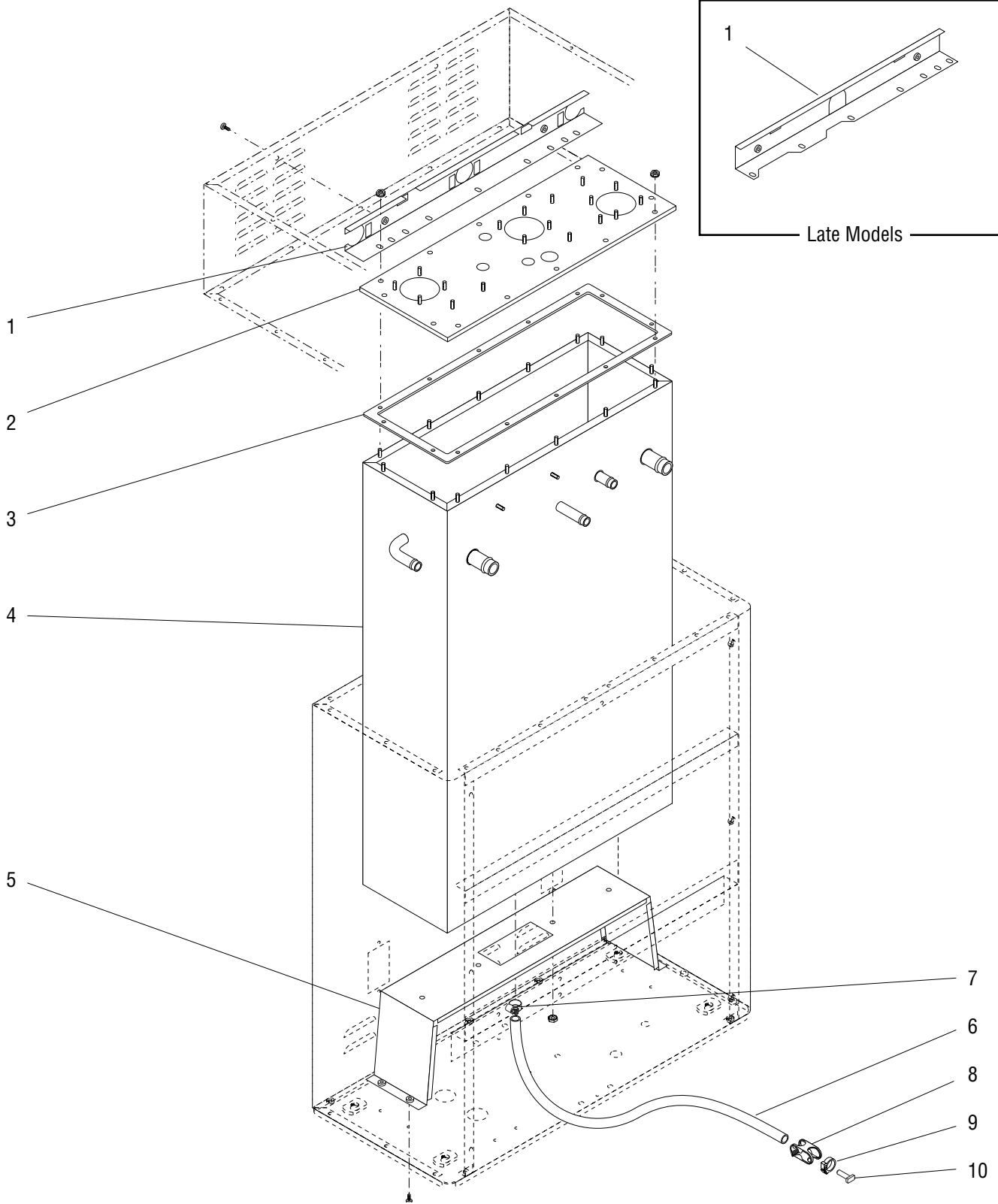
ITEM	PART NO.	QTY.	DESCRIPTION	
17	26528.0000	5	Leg, 4.0" Plastic (See item 31)	
	00502.0000	5	Leg, 4.0" Metal (See item 31)	
18	03996.0000	5	Pad, Anti Skid	
19	03011.0000	1	Plug, Vent	
20	35291.0000	1	Cover, Rear SST	} 3 Phase Brewers only
	35291.0001	1	Cover, Rear BLK	
	01347.0000	2	Screw, Truss Head #6 - 32 x .375" SST	
	01347.0002	2	Screw, Truss Head #6 - 32 x .375" BLK	
21	36398.0000	1	Hole Plug, DB-9 (Early models)	
22	32649.0000	2	Cover Plate, Funnel Lock (Early models)	} Models without Funnel Locks
	32649.0001	2	Cover Plate, Funnel Lock (Late models)	
	00970.0000	4	Nut, Keps #8-32	
23	00824.0002	1	Decal, Ground	
24	00619.0007	1	Plug, Hole .50" Dia. (SST models)	} Not used on 230V/400V models
	05749.0004	1	Plug, Hole .50" Dia. (Black models)	
25	39803.0000	1	Decal, Main Switch (Models with Main Switch only)	
26	38820.0000	1	Plate, Switch Hole Cover	} Models Without Main Power Switch
	01347.0000	2	Screw, Truss Head #6 - 32 x .375"	
27	37881.0002	1	Decal, "No Serviceable Parts"	
28	32323.1004	1	Guard Kit, Hinged Switch Cover (Includes items 29 and 30)	
29	26504.0000	2	Hinge, Adjustable	
	01382.0003	8	Screw, Truss Head W/Nyl Patch #6 - 32 x .375" BLK	
30	29384.0002	1	Channel, Hinge	
31	13255.0007	-	Leg Kit, Plastic (Includes 5 each of items 17 & 18) (Not illustrated)	
	13255.0002	-	Leg Kit, Metal (Includes 5 each of items 17 & 18) (Not illustrated)	



TANK HEATER & OVERFLOW PROTECTION DEVICES

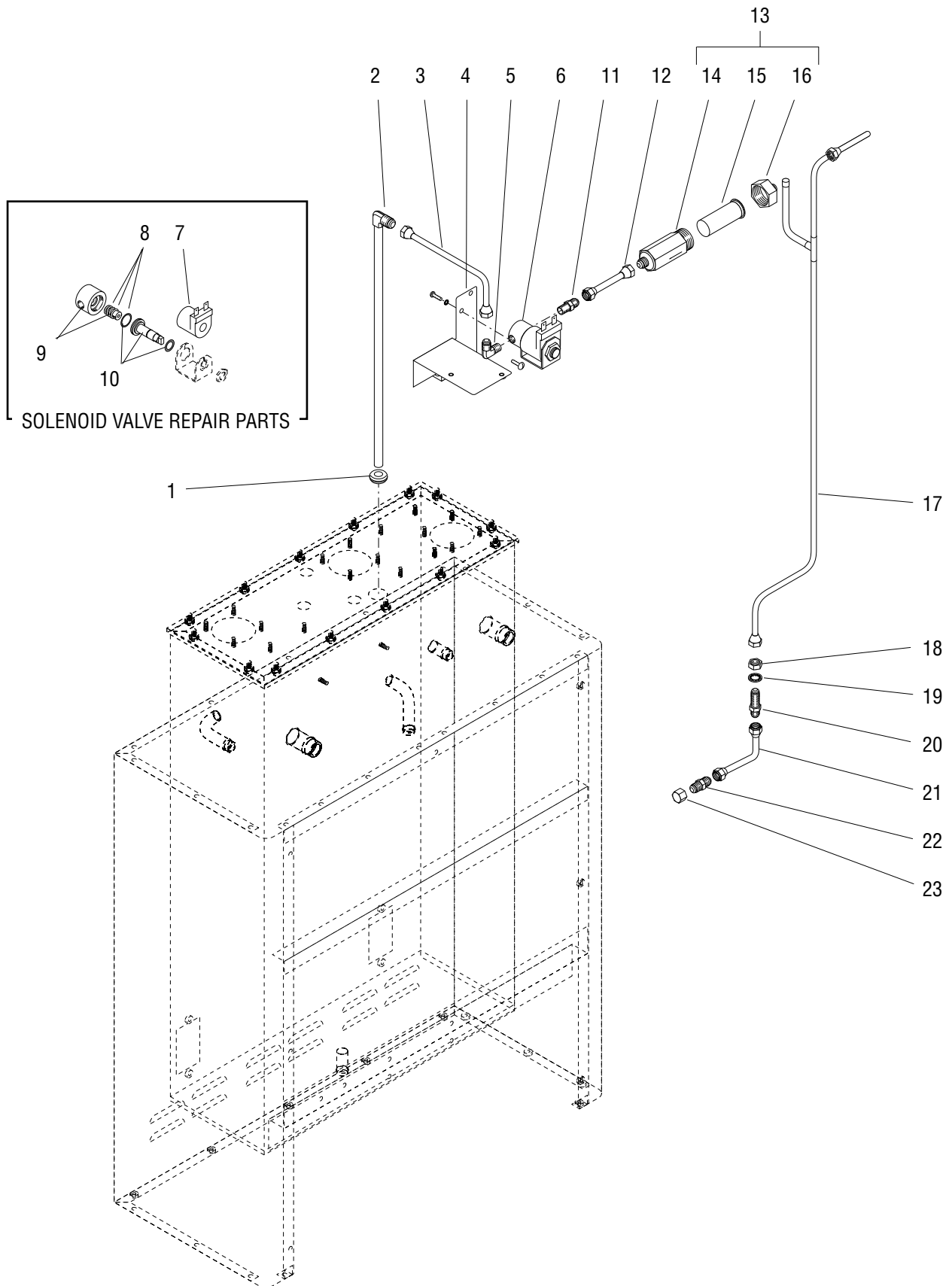
ITEM	PART NO.	QTY.	DESCRIPTION
1	12398.0002	3	Gasket, Tank Heater
2	20922.1000	2	Tank Heater, 3300W @ 240V (Includes item 1) (1 additional for 3 phase brewers)
	20922.1002	2	Tank Heater, 2850W @ 208V (Includes item 1) (200V Models)
	12305.1000	2	Tank Heater, 4000W @ 208V (Includes item 1)
	00908.0000	8	Nut, Hex #8 - 32 (4 additional for 3 phase brewers)
3	23717.0003	2	Thermostat, Limit (1 additional for 3 phase brewers)
	00908.0000	4	Nut, Hex #8 - 32 (2 additional for 3 phase brewers)
4	02536.0000	3	Grommet .375" I.D.
5	20936.1000	1	Probe Kit (Includes items 6, 7 & 8)
6	01501.0000	1	Washer .164" I.D. x .375" O.D.
7	20203.0100	1	Lockwasher, Internal Tooth #8
8	00908.0000	1	Nut, Hex #8 - 32
9	34664.0000	1	Cover, Tank Heater
	00908.0000	4	Nut, Hex #8 - 32 } Not used on 3 phase brewers
10	26622.0001	1	Tube Assy, Vent
11	02434.0010*	1	U-Channel 2.0" (Order item 28)
12	27473.0000	1	Bracket, Overflow Cup Mounting
13	03803.0000	1	Switch Assy, Liquid Level (120/208V, 120/240V & 240V models)
	03803.0002	1	Switch Assy, Liquid Level (200V, 230V & 230/400V models)
	04797.0000	1	Washer, Celcon .520" I.D. x 1.0" O.D.
	00946.0000	1	Nut, Hex .125" FPT } Includes items 14, 15 & 16
14	03633.0000	2	Gasket, Float Switch (Only 1 used in this application)
15	01527.0000*	3	Washer, Adjusting (DO NOT USE IN THIS APPLICATION)
16	03807.0000	1	Clip, Spring
17	22728.0000	1	Overflow Cup Assy Copper (Second type) (Also replaces aluminum cup)
	41259.1003	1	Kit, Overflow Cup (Aluminum) (Includes items 4, 20, 22 & 23)
	00971.0000	2	Nut, Keps #10-32
18	12422.0000	2	Clamp, Hose .47"/.54" I.D.
19	03236.0023*	1	Tube, Silicone .312" I.D. x 27.5" (Order item 29)
20	04797.0000	1	Washer, Celcon .520" I.D. x 1.0" O.D.
21	00946.0000	1	Nut, Hex .125" FPT
22	41280.0001	1	Elbow, .375" Multi Barb
23	41266.0000	1	Film, Insulating
24	21801.0002	1	Tube .375" O.D.
25	20541.0001	2	Heat Sink (Also order item 27) (Only 1 used on 120/208V 3 phase brewers)
	01382.0007	4	Screw, Truss Head 6-32 x .38" (Only 2 used on 120/208V 3 phase brewers)
26	12565.0011	2	Triac Assy, 40 amp
	02328.0003	2	Screw, Pan Head #6-32 x .312" } Only 1 used on 120/208V 3 phase brewers
	01520.0000	2	Lockwasher #6
27	M2522.1000	-	Heat Sink Compound
28	02434.1000	-	U-Channel 18.0" (Use as required)
29	03236.1001	-	Tube, Silicone .312" I.D. x 36.0" } Not illustrated
	03236.1003	-	Tube, Silicone .312" I.D. x 60.0"
	03236.1002	-	Tube, Silicone .312" I.D. x 120.0"

* Indicates the part number listed is for reference only. See DESCRIPTION for possible service replacement.



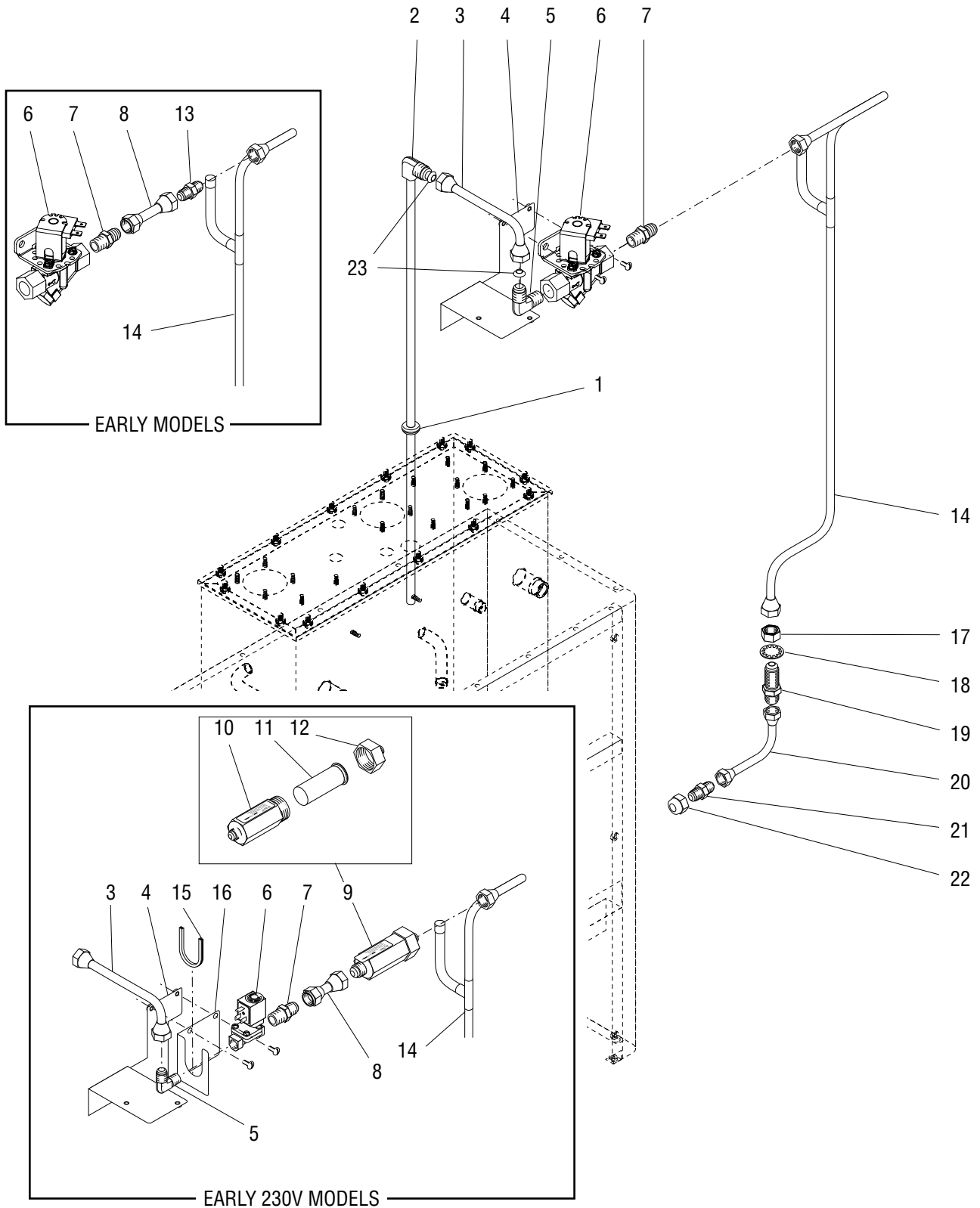
TANK AND MOUNTING BRACKETS

ITEM	PART NO.	QTY.	DESCRIPTION
1	26826.0000*	1	Bracket, Tank Support (Top) (Early models. Not available rder Late Model Bracket)
	37526.0000	1	Bracket, Tank Support (Top) (Late models)
	01315.0005	2	Screw, Truss Head BLK #8 - 32 x .375"
	00908.0000	4	Nut, Hex #8 - 32
2	34753.0000	1	Lid, Tank
	00908.0000	14	Nut, Hex #8 - 32
3	34758.0000	1	Gasket, Tank
4	34750.1001	1	Tank
5	34663.0000	1	Bracket, Tank Mounting (Bottom)
	02308.0000	4	Screw, Pan Head #8 - 32 x .375"
6	32591.0008*	1	Tube, Silicone .50" I.D. x .75" O.D. x 31.0" (Order item 11)
7	29421.0000	1	Clamp, Hose-Worm Drive .625"/.75"
8	11630.0001	1	Clamp, Tubing Shutoff
9	12422.0009	1	Clamp, Hose .71"/.80" I.D.
10	35086.0000	1	Plug, .50" I.D. Hose
11	32591.1002	1	Tube, Silicone .50" I.D. x 36.0" (Not illustrated)



STRAINER, SOLENOID & LINES (Models with .25" Tubing)

ITEM	PART NO.	QTY.	DESCRIPTION
1	02536.0000	1	Grommet .375" I.D.
2	20937.0001	1	Tube, Tank Fill .25" O.D.
3	21812.0007	1	Tube Assembly, Solenoid to Tank .25" O.D.
4	34909.0000	1	Bracket, Solenoid Mounting
	02308.0000	2	Screw, Pan Head #8 - 32 x .375"
5	00400.0001	1	Elbow, Male .250" Flare x .125" MPT
6	01085.0002	1	Solenoid Valve Assy, 120V (Includes items 7 thru 10)
	28005.0000	1	Solenoid Valve Assy, 200/230V (Includes items 7 thru 9)
	01327.0000	2	Screw, Pan Head #10 - 32 x .375"
	01502.0000	2	Lockwasher, Split #10
7	28480.0000	1	Solenoid Valve Coil, 120V
	28020.0000	1	Solenoid Valve Coil, 200/230V
8	01111.0002	1	Solenoid Valve Repair Kit, 120V (Includes Plunger, Spring and O-ring)
9	28479.0000	1	Solenoid Valve Base Kit, 120V (Includes O-ring)
	28021.0000	1	Solenoid Valve Base Kit, 200/230V (Includes O-ring)
10	28481.0000	1	Guide Kit
11	00402.0001	1	Connector .250" Flare x .125" MPT
12	34969.0000	1	Tube Assy, Strainer to Solenoid .25" O.D.
13	23820.1000	1	Strainer Assy (Includes items 14 thru 16)
14	-----	1	Body (Not Available order item 13)
15	23721.0000	1	Screen
16	22249.0000	1	End Cap, Water Strainer
17	35085.0000	1	Tube Assy, Bulkhead to Strainer
18	00463.0000	1	Nut, Hex .438" - 20
19	01532.0000	1	Lockwasher, Internal Tooth .438" I.D.
20	00459.0000	1	Bulkhead Fitting .250" Flare
21	00310.0002	1	Tube Assembly, Bulkhead to Supply .25" O.D.
22	00436.0001	1	Union .250" Male Flare
23	00935.0000	1	Cap (For shipping purposes only)
24	M2517.0000	-	Sealant, Pipe 6 ml (Not illustrated)

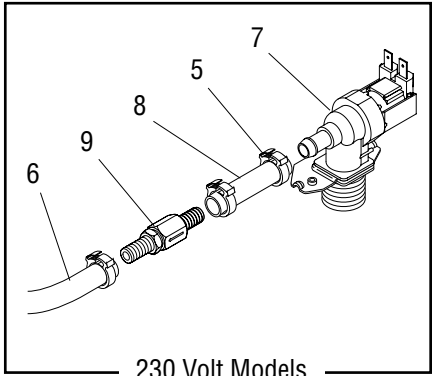
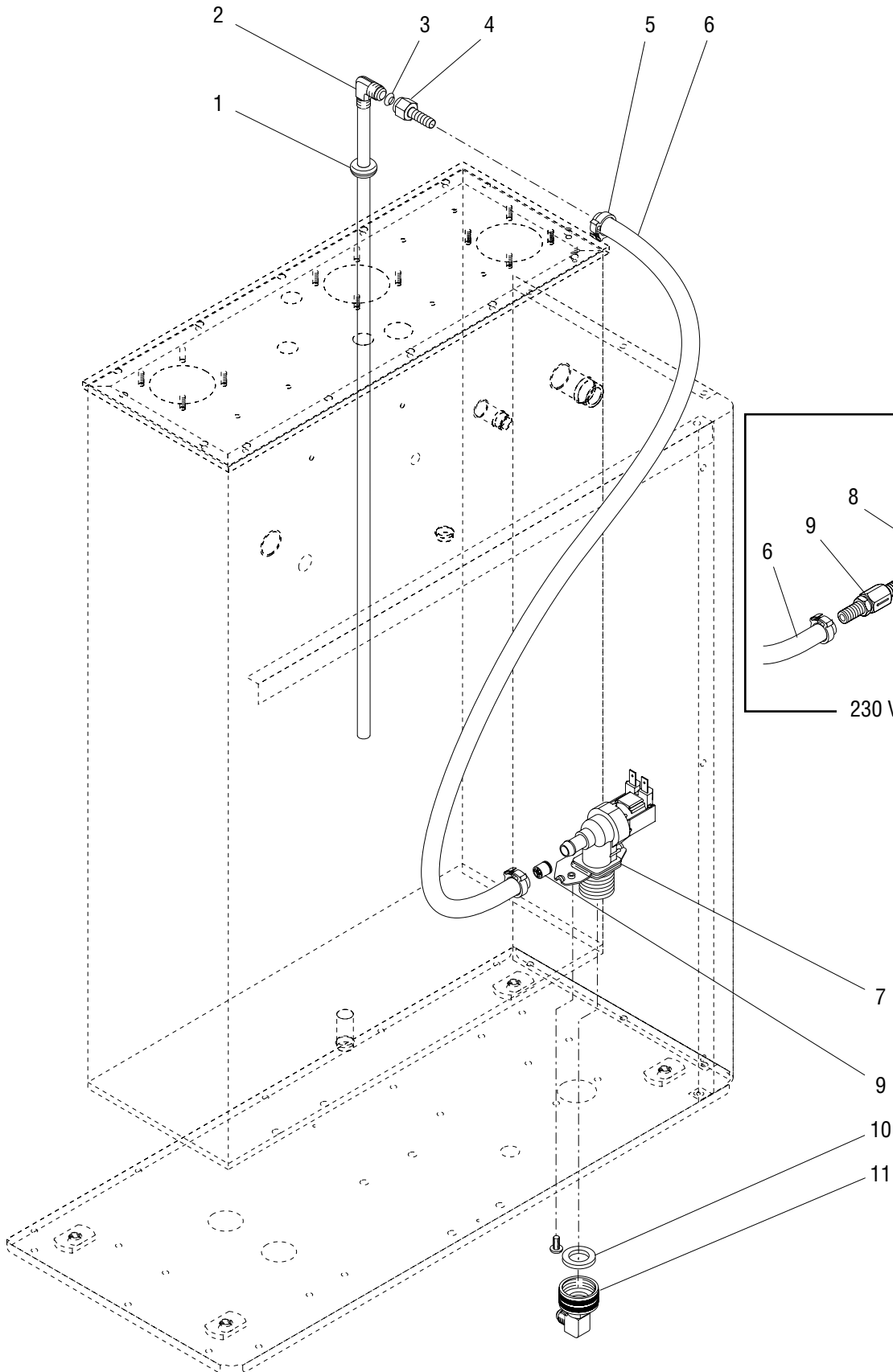


STRAINER, SOLENOID & LINES
(Models with .38" Tubing)

ITEM	PART NO.	QTY.	DESCRIPTION
1	02536.0000	1	Grommet .375" I.D.
2	20937.0004	1	Tube, Tank Fill .38" O.D.
3	36089.0000	1	Tube Assembly, Solenoid to Tank .38" O.D.
4	36083.0000	1	Bracket, Solenoid Mounting
	36083.0001	1	Bracket, Solenoid Mounting (230/400V 3 Phase models only)
	02308.0000	2	Screw, Pan Head #8 - 32 x .375"
5	34768.0001	1	Elbow, Male .375" Flare x .125" MPT
6	36088.0000	1	Solenoid Valve Assy, 120V (Includes items 5 & 7)
	36088.0001	1	Solenoid Valve Assy, 200V (Includes items 5 & 7)
	36088.0005	1	Solenoid Valve Assy, 240V (Includes items 5 & 7)
	01317.0003	2	Screw, Truss Head #8 - 32 x .38" Locking
7	36085.0000	1	Connector .375" Flare x .125" MPT
8	36087.0000	1	Tube Assy, Bulkhead to Solenoid (120/208V, 120/240V and early 200V models)
	35840.0000	1	Connector, Strainer to Solenoid (Early 230V models)
9	23720.1000	1	Strainer Assy, 230V (Includes items 10 thru 12)
10	-----	1	Body (Not Available order item 9)
11	23721.0000	1	Screen
12	22249.0000	1	End Cap, Water Strainer
13	36081.0000	1	Union, 120V and 200V
14	35085.0001*	1	Tube Assy, Bulkhead to Strainer .38" O.D. (Order 35085.0004, discard items 8 & 13)
	35085.0004	1	Tube Assy, Bulkhead to Strainer .38" O.D. (Late 200V and 230V models)
15	02434.0005*	1	Gasket, U-channel 3.5" (Order item 25)
16	36084.0000	1	Bracket
	01315.0000	2	Screw, Truss Head #8-32 x .375"
17	12757.0000	1	Nut, Hex .625" - 20
18	01514.0000	1	Lockwasher, Internal Tooth .625" I.D.
19	12756.0000	1	Bulkhead Fitting .375" Flare
20	00310.0008	1	Tube Assembly, Bulkhead to Supply
21	36081.0000	1	Union .375" Male Flare
22	12919.0001	1	Cap (For shipping purposes only)
23	32359.0000	2	Gasket, .375" Flare Copper
Items 24 - 26 are not illustrated			
24	M2517.0000	-	Sealant, Pipe 6 ml (Not illustrated)
25	02434.1000	-	Gasket, U-channel 18.0" (Cut to required length)
26	36086.0000	1	Lead, GRN 10.0" (Ground for 230V Solenoid)

Early 230V Models

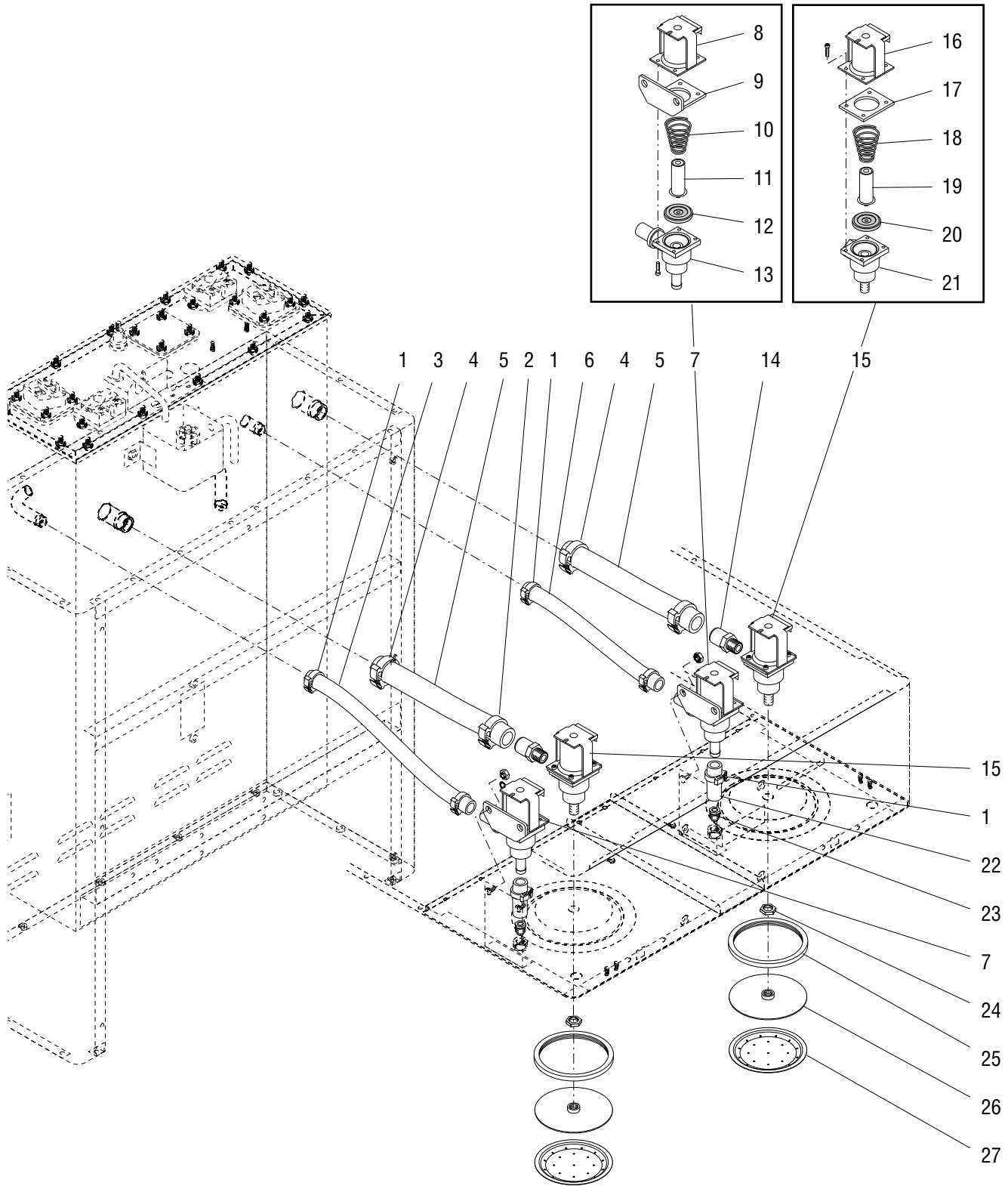
* Indicates the part number listed is for reference only. See DESCRIPTION for possible service replacement.



230 Volt Models

INLET VALVE AND LINE

ITEM	PART NO.	QTY.	DESCRIPTION
1	02536.0000	1	Grommet .375" I.D.
2	20937.0004	1	Tube, Tank Fill
3	32359.0000	1	Gasket, .375" Flare Copper
4	12418.0001	1	Fitting, Swivel .375" Barb
5	12422.0001	2	Clamp, Hose .59"/.66" I.D.
6	20976.0036*	1	Tube, Silicone .375" I.D. x .625" O.D. x 36.0" (Order item 12)
7	36233.1005	1	Valve, Water Inlet 120V
	36233.1006	1	Valve, Water Inlet 230V
	32283.0000	2	Screw, Pan Head M4 x 6MM
8	20976.0017*	1	Tube .375" ID x .625" OD x 2.0" (Order item 12) (230V Models)
9	36378.0001	1	Check Valve (Installed in item 6) (208V, 240V, 120/208V, 120/240V Models)
	40071.0001	1	Check Valve, .38" Barb (230V Models)
10	41640.0000	1	Gasket, .75" Hose Fitting
11	37297.1001	1	Elbow, .375" FLR x .75" FTNR
	37297.0004	1	Elbow, .375" Compression x .75" FTNR
12	20976.1000	-	Tube .375" ID x .625" OD x 12.0" (Use as required)
	20976.1001	-	Tube .375" ID x .625" OD x 36.0" (Use as required)
	20976.1002	-	Tube .375" ID x .625" OD x 120.0" (Use as required)



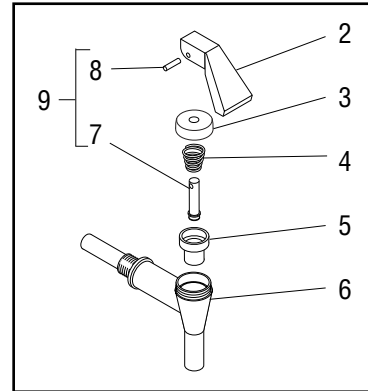
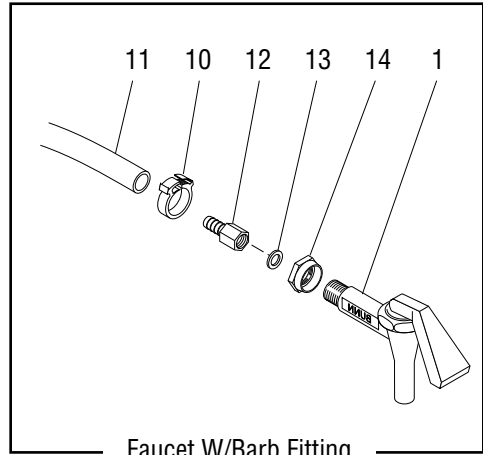
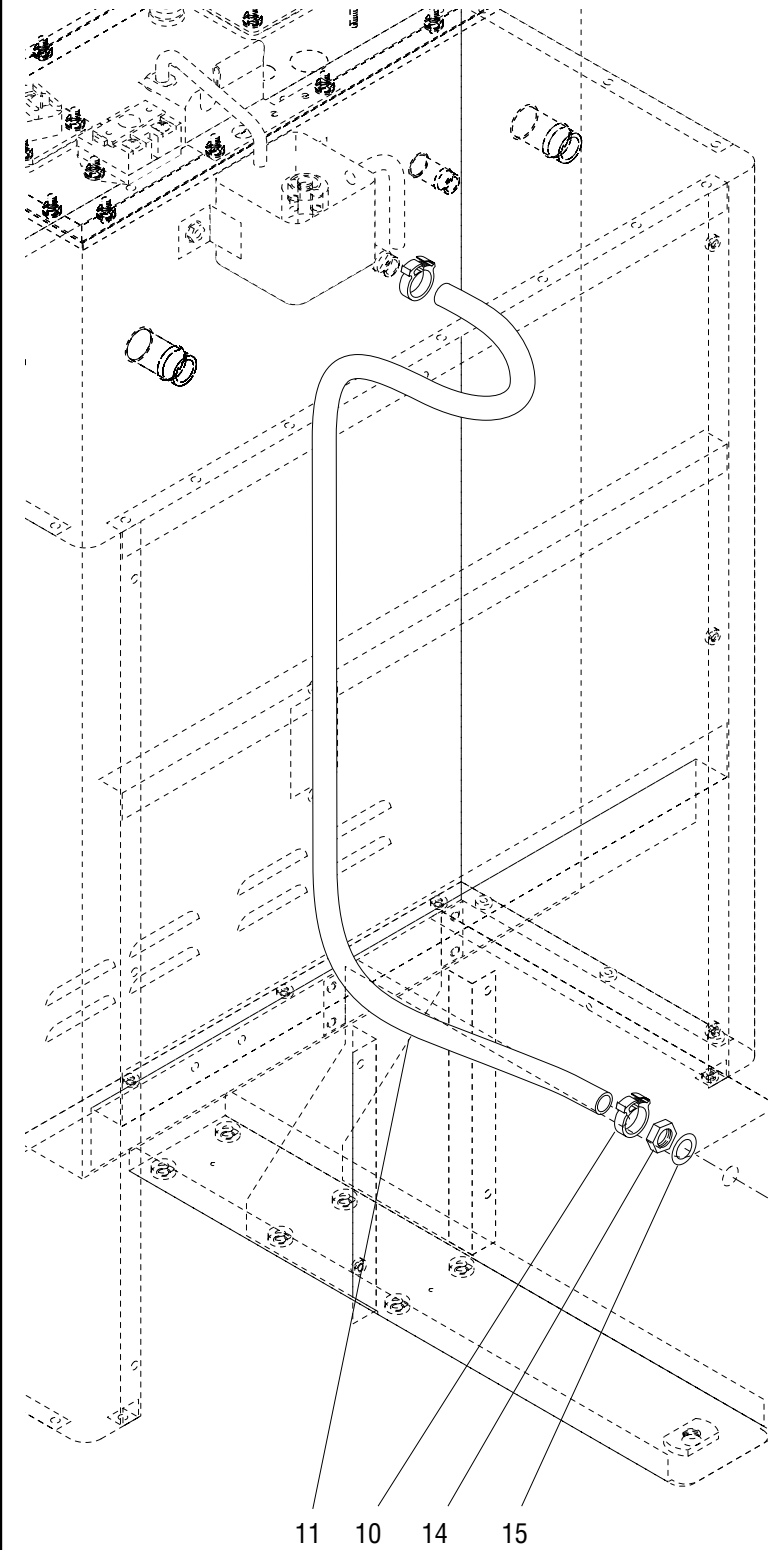
SPRAYHEAD VALVE, WATER BY-PASS VALVE & SPRAYHEAD

ITEM	PART NO.	QTY.	DESCRIPTION
1	12422.0009	4	Clamp, Hose .71"/.80" I.D.
2	12422.0005	4	Clamp, Hose .62"/.71" I.D.
3	32591.0007*	1	Tube, Silicone .50" I.D. x .75" O.D. x 8.75" (Order item 28)
4	12422.0008	4	Clamp, Hose .93"/1.10" I.D.
5	35052.0000*	2	Tube, Silicone .75" I.D. x 1.0" O.D. x 6.25" (Order item 29)
6	32591.0006*	1	Tube, Silicone .50" I.D. x .75" O.D. x 6.50" (Order item 28)
7	27370.0003	2	Valve Assy, Bypass (120/208V & 120/240V models) (Includes items 8 thru 13)
	27370.0004	2	Valve Assy, Bypass (200V Models) (Includes items 8 thru 13)
	27370.0005	2	Valve Assy, Bypass (230V & 240V Models) (Includes items 8 thru 13)
	00970.0000	4	Nut, Keps #8 - 32
8	-----	1	Coil Assy, Bypass Valve
9	-----	1	Bracket, Mounting
10	-----	1	Spring (Not available order item 30)
11	-----	1	Plunger (Not available order item 30)
12	23255.0000	1	Diaphragm
13	-----	1	Body (Not available order item 7)
14	34956.0000	2	Fitting, .250" NPT x .75" I.D. Hose
15	26846.0000	2	Valve Assy, Sprayhead (Includes items 16 thru 21)
	26846.0001	2	Valve Assy, Sprayhead (200V Models) (Includes items 16 thru 21)
	26846.0002	2	Valve Assy, Sprayhead (230V Models) (Includes items 16 thru 21)
16	22305.0000	1	Coil Assy, Valve 120V
	22305.0003	1	Coil Assy, Valve 200V
	22305.0002	1	Coil Assy, Valve 230V
	23254.0000	4	Screw, #8 - 32
17	23256.0000	1	Spacer Plate
18	-----	1	Spring (Not available order item 30)
19	-----	1	Plunger (Not available order item 30)
20	23255.0000	1	Diaphragm
21	-----	1	Body (Not available order item 15)
22	32591.0003*	2	Tube, Silicone .50" I.D. x .75" O.D. x 1.30" (Order item 28)
23	34801.0001	2	Fitting, Bypass Restrictor
24	01075.0000	2	Nut, Hex .438" - 20
25	34868.0000	2	Seal, Sprayhead
26	35070.0001	2	Sprayhead Back
27	34867.0004	2	Sprayhead
28	32591.1001	1	Tube, Silicone .50" I.D. x .75" O.D. x 12.0"
	32591.1002	1	Tube, Silicone .50" I.D. x .75" O.D. x 36.0"
29	35052.1000	1	Tube, Silicone .75" I.D. x 1.0" O.D. x 12.0"
30	11517.0008	-	Solenoid Valve Repair Kit, Bypass & Dispense (Includes one each of spring, plunger and diaphragm)
31	35308.1004	-	Sprayhead Assy (Includes one each of items 25 - 27)

Refer to item 31

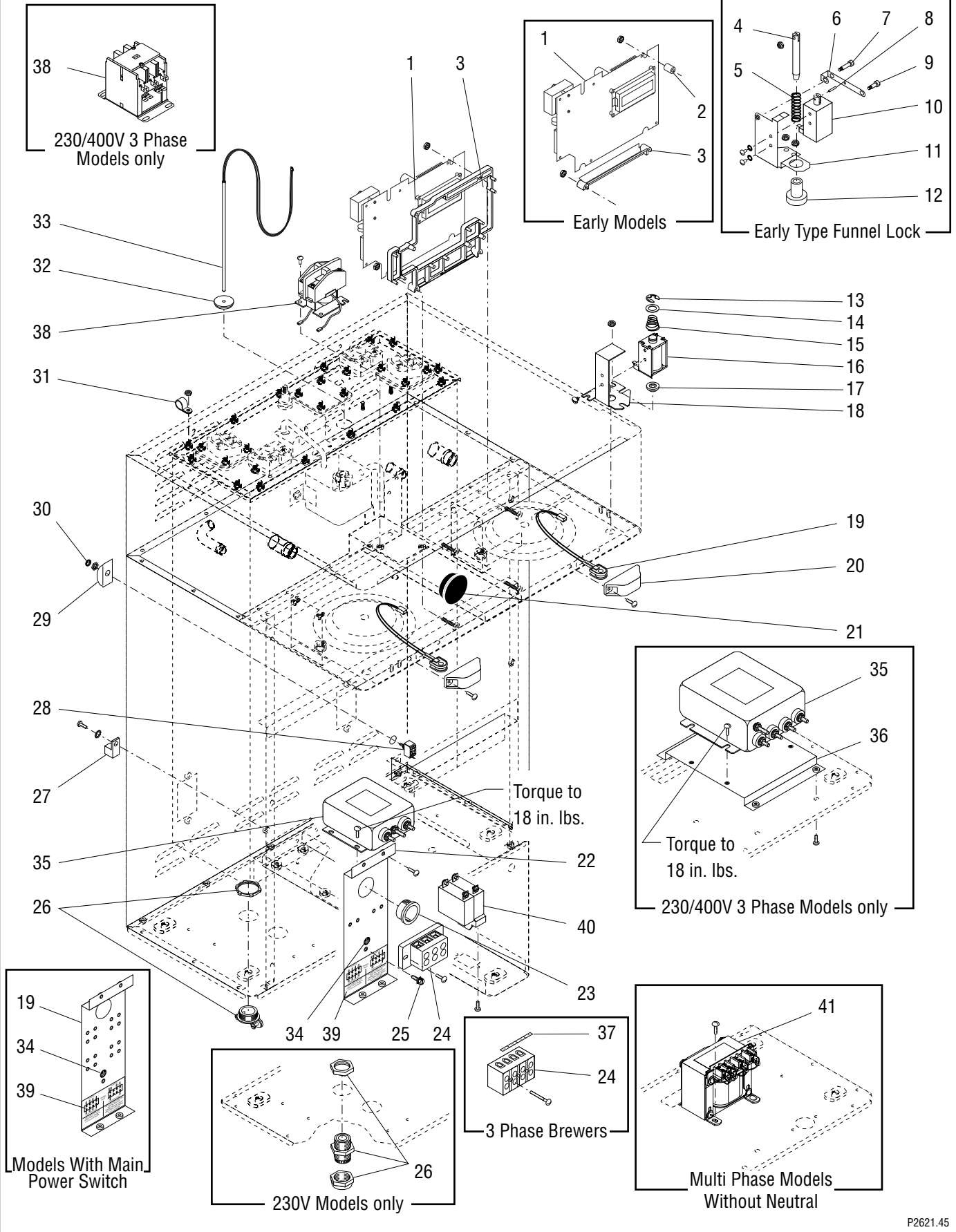
Not illustrated

* Indicates the part number listed is for reference only. See DESCRIPTION for possible service replacement.



FAUCET

ITEM	PART NO.	QTY.	DESCRIPTION
1	02596.1009 29075.0002	1 1	Faucet Assy (Includes items 2 thru 8 & 14) (IFaucet W/Barb Fitting) Faucet Assy (Includes items 2 thru 8)
2	02861.0003	1	Handle, Faucet
3	02854.0000	1	Bonnet, Faucet
4	02595.0000	1	Spring, Faucet
5	02766.0000	1	Seat Cup, Faucet
6	02856.0008*	1	Body, Faucet (IFaucet W/Barb Fitting)
	02856.0009*	1	Body, Faucet
			} Not available order item 1
7	13054.0000	1	Stem, Faucet
8	02858.0000	1	Pin, Spring .125" Dia. x .50"
9	02594.0000	1	Faucet Stem W/Pin (Includes items 7 & 8)
10	12422.0001	2	Clamp, Hose .59"/.66" I.D.
11	28526.0025*	1	Tube, Silicone .313" I.D. x .562" O.D. x 29.0" (Order item 17) (Early models)
	20976.0071*	1	Tube, Silicone .375" I.D. x .625" O.D. x 42.0" (Order item 18) (Late models)
12	12437.0000	1	Adapter
13	27574.0000	1	Washer, Sealing
			} Faucet W/Barb Fitting
14	02850.0000	1	Jam Nut, Faucet
	29264.0000	1	Nut, Faucet Retaining
15	01544.0000	1	Washer, .50" I.D. x .75" O.D.
16	28706.0002	-	Faucet Kit (Includes items 2,4 ,5 ,8 & 9)
17	28526.1001	1	Tube, Silicone .313" I.D. x .562" O.D. x 36.0"
	28526.1002	1	Tube, Silicone .313" I.D. x .562" O.D. x 60.0"
			} Not Illustrated
18	20976.1001	-	Tube .375" ID x .625" OD x 36.0" (Use as required)
	20976.1002	-	Tube .375" ID x .625" OD x 120.0" (Use as required)

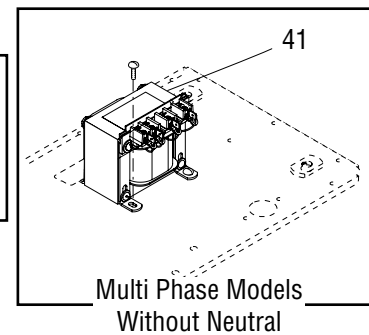
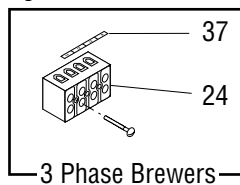
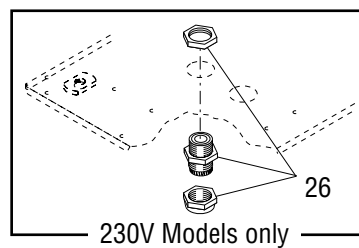
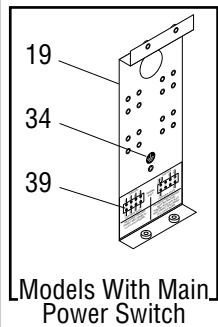
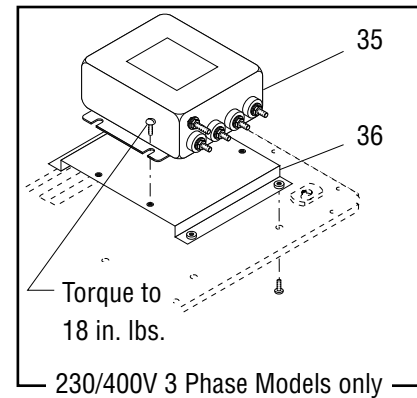
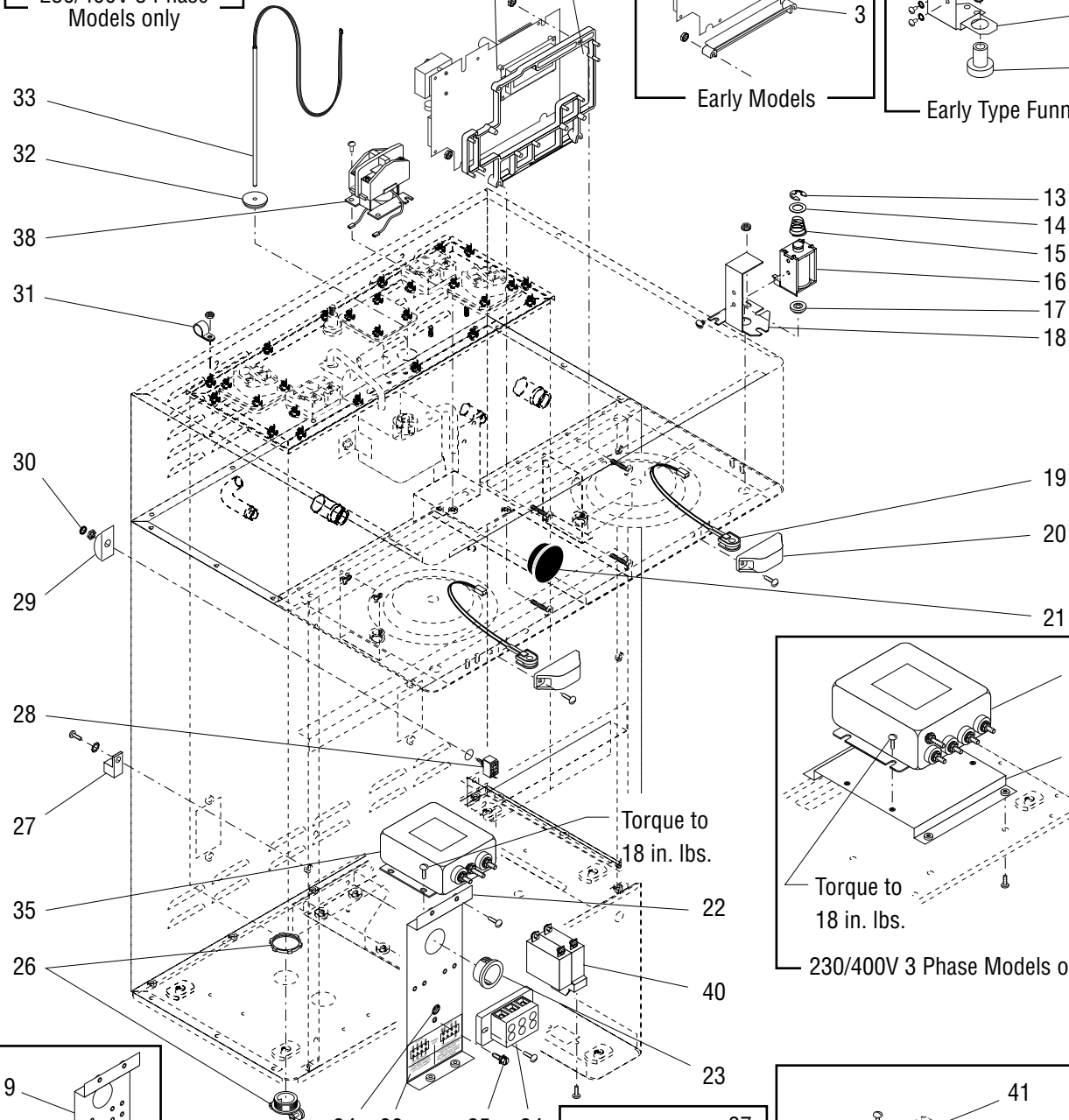
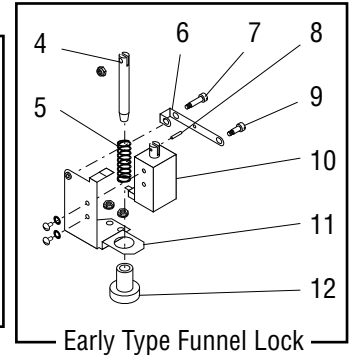
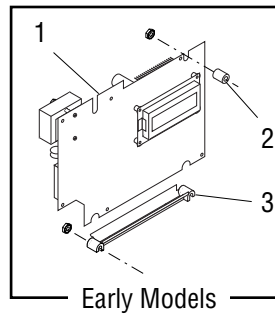
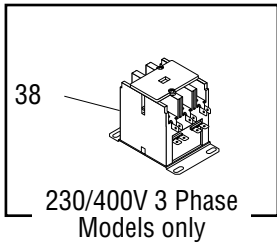


ELECTRICAL CONTROLS

ITEM	PART NO.	QTY.	DESCRIPTION	
1	29969.1000	1	Circuit Board, Main control (120/208V & 120/240V models)	
	29969.1003	1	Circuit Board, Main control (200V & 240V models)	
	29969.1052	1	Circuit Board, Main control (120/240V) ((Brewers with Product # 34600.0036 only)	
	38358.1000	1	Circuit Board, Main control (230V models)	
	38358.1001	1	Circuit Board, Main control (230/400V models)	
	00973.0000	2	Nut, Keps #6-32	
2	01533.0010	2	Spacer (Early models)	
3	29970.0000	1	Mount, Circuit Board (Early models)	
	40726.0000	1	Mount, Circuit Board (Late models)	
	00973.0000	2	Nut, Keps #6-32	
4	29494.0000	2	Pin, Funnel Stop	} Early Type Funnel Lock
5	28897.0000	2	Spring, Compression	
6	29493.0000	2	Lever	
7	29504.0001	2	Shoulder Screw	
8	26247.0001	2	Pin, Spring	
9	29504.0000	2	Shoulder Screw	
	00991.0000	2	Nut, Elastic Lock #8-32	
10	29503.0000	2	Coil, Solenoid, 120V	
	29503.0001	2	Coil, Solenoid, 230V	
	01519.0000	4	Lockwasher, Split #8	
	33613.0000	4	Screw, Truss Head #8-32 x .25"	
11	29492.0000	2	Bracket, Solenoid	} Late Type Funnel Lock Also see item 53
	00970.0000	4	Nut, Keps #8-32	
12	29495.0000	2	Guide, Pin	
13	39981.0000	2	Ring, Solenoid	
14	-----	2	Washer, Nylon .44" ID x .68" OD	
15	39982.0000	2	Spring, Solenoid	
16	35955.0000	2	Coil, Solenoid, 120V	
	35955.0001	2	Coil, Solenoid, 230V	
	35955.0002	2	Coil, Solenoid, 200V	
	33613.0000	4	Screw, Truss Head #8-32 x .25"	
	01519.0000	4	Lockwasher, Split #8	
17	35953.0000	2	Guide, Pin	
18	38280.0000	2	Bracket, Solenoid	
	00970.0000	4	Nut, Keps #8-32	
19	-----	2	Sensing Coil WO/Leads (Early models) (Not available order item 52)	} Late models
	32572.1001	1	Sensing Coil W/Violet Leads (Includes plug below)	
	32572.1002	1	Sensing Coil W/Yellow Leads (Includes plug below)	
	20621.0000	2	Plug, hole .203" Dia. (Not illustrated)	
20	32573.0000	2	Cover, Sensing Coil	
	01382.0007	4	Screw, Truss Head #6-32 x .38"	
21	32018.0000	1	Bumper (Early models)	

(Continued)

* Indicates the part number listed is for reference only. See DESCRIPTION for possible service replacement.



ELECTRICAL CONTROLS

ITEM	PART NO.	QTY.	DESCRIPTION
22	34675.0000	1	Bracket, Terminal Block Mounting
	34675.0001	1	Bracket, Terminal Block Mounting (Models with Main On/Off Switch)
	02308.0000	4	Screw, Pan Head #8-32 x .38"
23	01592.0001	1	Bushing, Snap 1.188" Dia. hole
24	01106.0000	1	Terminal Block, 2 Pole WHITE/BLACK
	01106.0001	1	Terminal Block, 2 Pole RED/BLACK
	01106.0003	1	Terminal Block, 2 Pole BLUE/BROWN
	07038.0000	1	Terminal Block, 3 Pole RED/WHITE/BLACK
	07038.0001	1	Terminal Block, 3 Pole RED/BLUE/BLACK
	07038.0002	1	Terminal Block, 3 Pole BLACK /RED/BLUE
	21869.0000	1	Terminal Block, 4 Pole
	01317.0000	2	Screw, Truss Head #8-32 x .50" (2 & 3 pole terminal blocks)
	38030.0000	2	Screw, FilisterHead #8 - 32 x 1.25" (4 pole terminal block)
25	01309.0000	1	Ground Screw W/Terminal Washer #10-32 x .50"
26	01590.0000	1	Connector, Cable .75" NPS
	01590.0001	1	Connector, Cable 1.0" NPS
	32833.0000	1	Strain Relief, Cord (230V models only)
27	27705.0000	1	Terminal Lug, #4-14AWG (200V & 230V models)
	01375.0000	1	Screw, Pan Head #10-32 x .50"
	01512.0000	1	Lockwasher, Ext. Tooth #10
28	28004.0001	1	Switch, Toogle SPST On/Off
29	25102.0000	1	Bracket, Switch Indicator/Guard
30	23696.0000	1	Facenut, Hex .469" - 32
31	04831.0000	1	Clamp, Cable .438" I.D.
32	12570.0000	1	Grommet, Temperature Sensor
33	29327.0000	1	Probe Kit, Temperature/Dry Plug
34	00824.0002	1	Decal, Ground
35	29446.0002	1	EMI Filter, European Appr 30 amp (200V & 230V models)
	01347.0000	4	Screw, Truss Head #6 - 32 x .375"
	00973.0000	4	Nut, Keps #6-32
	29446.0005	1	EMI Filter, European Appr 36 amp (Brewer Model #34600.0020 only)
	01327.0000	4	Screw, Pan Head #10-32 x .38"
36	38108.0000	1	Bracket, EMI Filter Mounting (Brewer Model #34600.0020 only)
	01327.0000	2	Screw, Pan Head #10-32 x .38"
37	34588.0001	1	Decal, Terminal Block (L1-L2-L3-N)
38	06335.1000	1	Contact, 120V Coil
	38045.0000	1	Contact, 3-pole 208/240V
	02308.0000	2	Screw, Pan Head #8 - 32 x .375"
39	37947.0000	1	Decal, Field Wiring 3PH/1PH (Brewer Model #34600.0020 only)
	37947.0004	1	Decal, Field Wiring 3PH/1PH (Brewer Model #34600.0029 only)
40	38894.0001	1	Switch, Main Power
	38894.0002	1	Switch, Main Power (120/208V 3 Phase models only)
	01308.0002	2	Screw, Truss Head #6-32 x .25" (Switch Mounting)
	01327.0000	4	Screw, Pan Head #10-32 x .375"
	01512.0000	4	Lockwasher, External Tooth #10

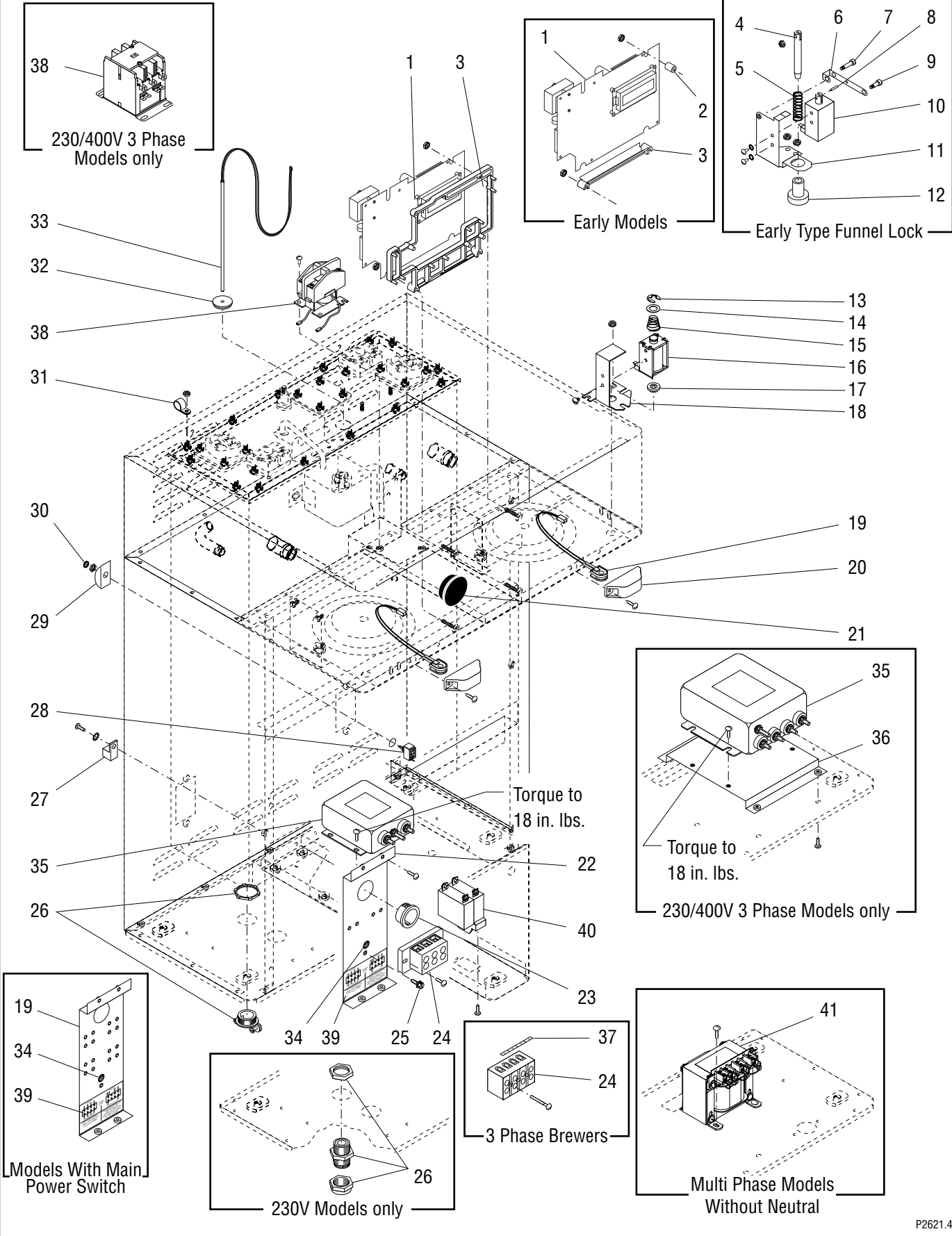
} Brewer Model #34600.0020 only

} 3 Phase Brewers only

} Terminals

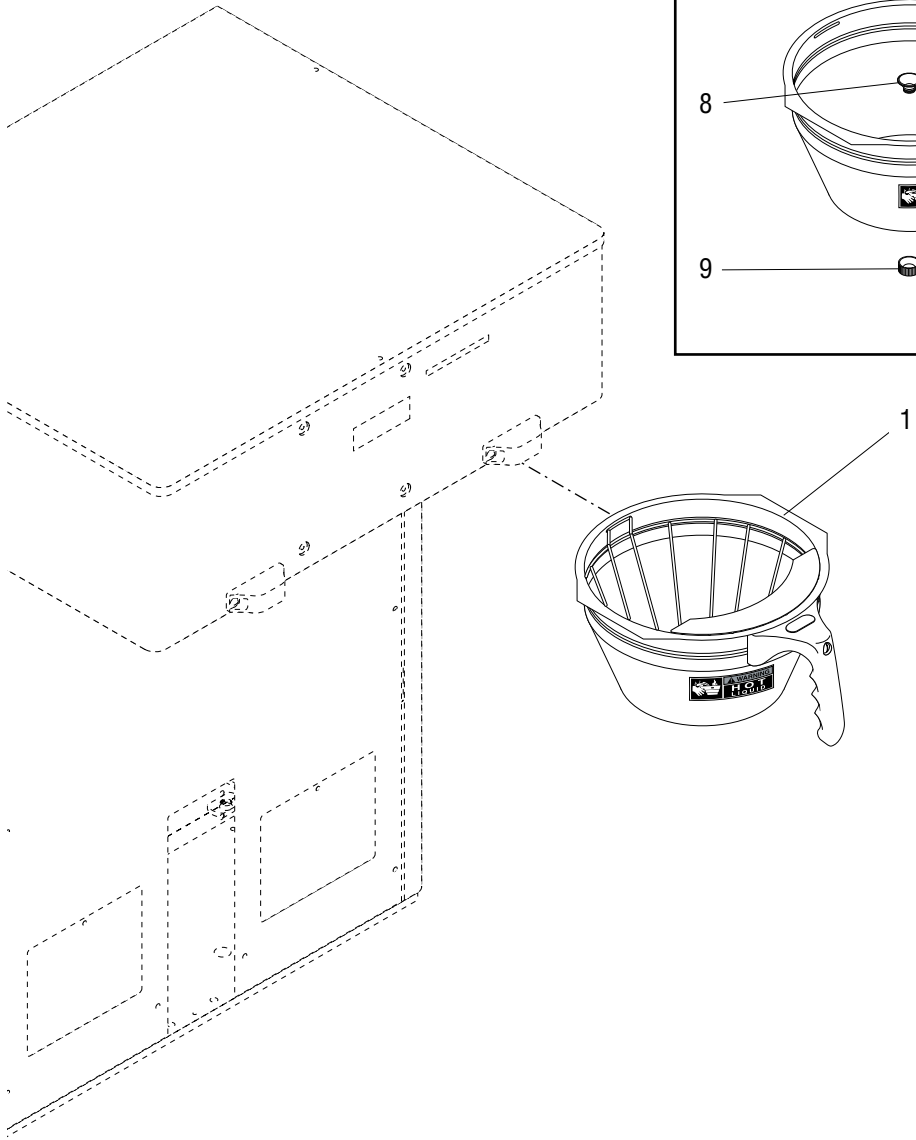
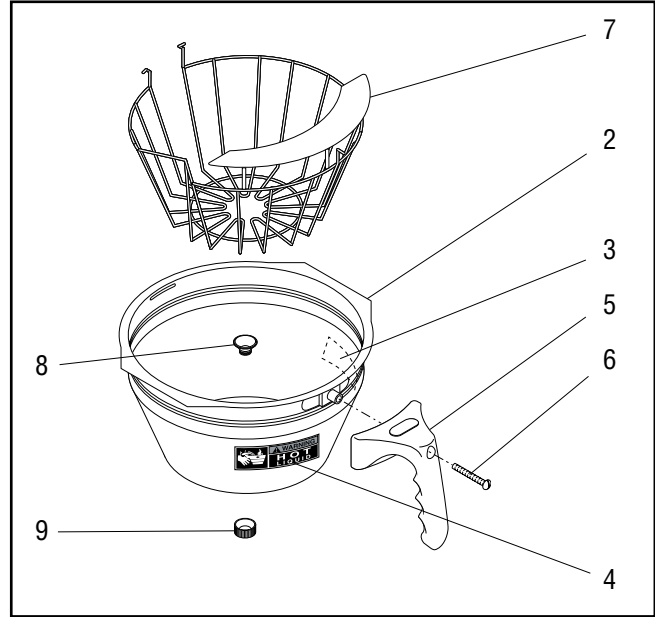
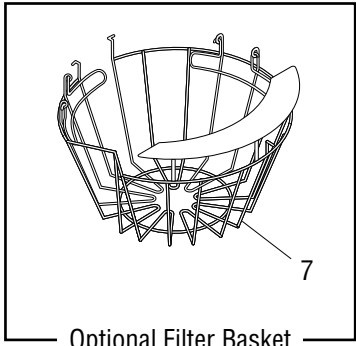
(Continued)

* Indicates the part number listed is for reference only. See DESCRIPTION for possible service replacement.



ELECTRICAL CONTROLS

ITEM	PART NO.	QTY.	DESCRIPTION
41	42738.1001	1	Transformer, Stepdown 208-240 to 120V (Multi Phase Models Without Neutral)
	01330.0000	2	Screw, Washer Head #10-32 x .38"
NOTE: The following items are not illustrated			
42	35069.0000	1	Wiring Harness, Contactor (120/208V 3 Phase models only)
	37862.0003	1	Wiring Harness, Contactor (Used with Brewer Product #34600.0020 only)
43	33634.0003	1	Wiring Harness, Main (120/208V & 120/240V models) (Brewers prior to 08/05/05)
	33634.0018	1	Wiring Harness, Main (120/208V & 120/240V models) (Brewers after 08/05/05)
	33634.0028	1	Wiring Harness, Main 120/208V & 120/240V models (Models W/Inlet Valve in Base)
	33634.0004	1	Wiring Harness, Main (200V & 230V models) (Brewers prior to 08/05/05)
	33634.0019	1	Wiring Harness, Main (200V & 230V models) (Brewers after 08/05/05)
	33634.0011	1	Wiring Harness, Main (240V models) (Brewers prior to 08/05/05)
	33634.0023	1	Wiring Harness, Main (240V models) (Brewers after 08/05/05)
	33634.0029	1	Wiring Harness, Main (240V models) (Models W/Inlet Valve in Base)
	33634.0012	1	Wiring Harness, Main (Used with Brewer Product #34600.0020 only)
	33634.0024	1	Wiring Harness, Main (Used with Brewer Product #34600.0010 & 34600.0011 only)
44	34707.0000	1	Wiring Harness, EMI Filter/Term Block (200V & 230V models)
	37859.0001	1	Wiring Harness, EMI Filter/Term Block (230/400V 3 Phase models)
45	38166.0000	1	Wiring Harness, ON/OFF Switch (Brewer Model #34600.0020 only)
46	37859.0002	1	Wiring Harness, Main Power Switch
	37859.0003	1	Wiring Harness, Main Power Switch (230/240V 3 Phase except #34600.0020)
47	42739.0000*	1	Wiring Harness, Transformer to Terminal Block (208-240V 3 Phase models only)
48	38444.0000	1	Lead Assy, 18 AWG White 6.0" (120/208V 3 Phase models only)
49	21012.0132	3	Lead, Assy, 12 AWG Red 5.5"
50	21003.0416	1	Lead Assy, 18 AWG Red 13.5"
51	34808.0002	1	Capacitor Assy, EMI Filter
52	38338.0000	-	Kit, Funnel Sensors (Includes left and right Funnel Sensor Coils W/Leads)
53	35952.1003	-	Solenoid Assy, Funnel Lock 120V (Includes items 13 thru 18)
	35952.1004	-	Solenoid Assy, Funnel Lock 200V (Includes items 13 thru 18)
	35952.1005	-	Solenoid Assy, Funnel Lock 230V (Includes items 13 thru 18)



FUNNEL

ITEM	PART NO.	QTY.	DESCRIPTION
1	32643.0000	2	Funnel Assy, SST
	32643.0010	2	Funnel Assy W/D-Ring Basket, SST (Optional)
			} Each includes Items 2 thru 9
2	24462.0002	1	Funnel W/Decals (Includes items 3 & 4)
3	03408.0004	1	Decal, Warning-Remove Funnel
4	03409.0004	1	Decal, Warning-Hot Liquid
5	32595.0000	1	Handle, Funnel-Black
6	12499.0002	1	Screw, Round Head .25" - 20 x 1.50" BLK
7	33089.0000	1	Filter Basket w/Splash Guard
	33089.0001	1	Filter Basket w/Splash Guard & D-Rings (Optional)
8	32139.0000	1	Insert, Funnel Tip - Male (Refer to item 10)
9	32140.0000	1	Insert, Funnel Tip - Female (Refer to item 10)
10	01031.0001	-	Funnel Tip Kit (Includes items 8 & 9)

NUMERICAL INDEX

PART NO.	PAGE NO.	PART NO.	PAGE NO.	PART NO.	PAGE NO.	PART NO.	PAGE NO.
00310.0002.....	13	02308.0000.....	5,11,13,15,25	20922.1000.....	9	29384.0002.....	7
00310.0008.....	15	02328.0003.....	9	20922.1002.....	9	29421.0000.....	11
00400.0001.....	13	02434.0005.....	15	20936.1000.....	9	29446.0002.....	25
00402.0001.....	13	02434.0010.....	9	20937.0001.....	13	29446.0005.....	25
00436.0001.....	13	02434.1000.....	9,15	20937.0004.....	15,17	29492.0000.....	23
00459.0000.....	13	02536.0000.....	9,13,15,17	20976.0017.....	17	29493.0000.....	23
00463.0000.....	13	02594.0000.....	21	20976.0036.....	17	29494.0000.....	23
00502.0000.....	7	02595.0000.....	21	20976.0071.....	21	29495.0000.....	23
00619.0007.....	7	02596.1009.....	21	20976.1000.....	17	29503.0000.....	23
00656.0001.....	5	02766.0000.....	21	20976.1001.....	17,21	29503.0001.....	23
00658.0000.....	5	02850.0000.....	21	20976.1002.....	17,21	29504.0000.....	23
00824.0002.....	7,25	02854.0000.....	21	21003.0416.....	27	29504.0001.....	23
00831.0000.....	5	02856.0008.....	21	21012.0132.....	27	29969.1000.....	23
00908.0000.....	9,11	02856.0009.....	21	21801.0002.....	9	29969.1003.....	23
00935.0000.....	13	02858.0000.....	21	21812.0007.....	13	29969.1052.....	23
00946.0000.....	9	02861.0003.....	21	21869.0000.....	25	29970.0000.....	23
00970.0000.....	5,7,19,23	03011.0000.....	7	22249.0000.....	13,15	32018.0000.....	23
00971.0000.....	9	03236.0023.....	9	22305.0000.....	19	32139.0000.....	29
00973.0000.....	23,25	03236.1001.....	9	22728.0000.....	9	32140.0000.....	29
00991.0000.....	23	03236.1002.....	9	23254.0000.....	19	32323.1004.....	7
01031.0001.....	29	03236.1003.....	9	23255.0000.....	19	32359.0000.....	15,17
01075.0000.....	19	03408.0004.....	29	23256.0000.....	19	32572.1001.....	23
01085.0002.....	13	03409.0004.....	29	23696.0000.....	25	32572.1002.....	23
01106.0000.....	25	03633.0000.....	9	23717.0003.....	9	32573.0000.....	23
01106.0001.....	25	03803.0000.....	9	23720.1000.....	15	32591.0003.....	19
01106.0003.....	25	03803.0002.....	9	23721.0000.....	13,15	32591.0006.....	19
01111.0002.....	13	03807.0000.....	9	23820.1000.....	13	32591.0007.....	19
01303.0002.....	5,25	03996.0000.....	7	24462.0002.....	29	32591.0008.....	11
01308.0002.....	5	04797.0000.....	9	25102.0000.....	25	32591.1001.....	19
01308.0003.....	5	04831.0000.....	25	25151.0000.....	5	32591.1002.....	11,19
01309.0000.....	25	05749.0004.....	7	26247.0001.....	23	32595.0000.....	29
01311.0000.....	5	06335.1000.....	25	26504.0000.....	7	32643.0000.....	29
01311.0004.....	5	07038.0000.....	25	26528.0000.....	7	32643.0010.....	29
01315.0000.....	15	07038.0001.....	25	26622.0001.....	9	32649.0000.....	7
01315.0006.....	11	11517.0008.....	19	26826.0000.....	11	32649.0001.....	7
01317.0000.....	25	11630.0001.....	11	26846.0000.....	19	32833.0000.....	25
01317.0003.....	15	12305.1000.....	9	26846.0001.....	19	33089.0000.....	29
01327.0000.....	13,25	12398.0002.....	9	26846.0002.....	19	33089.0001.....	29
01330.0000.....	30	12418.0001.....	17	27370.0003.....	19	33613.0000.....	23
01347.0000.....	7,25	12422.0000.....	9	27370.0004.....	19	33634.0003.....	27
01347.0002.....	7	12422.0001.....	19,21	27370.0005.....	19	33634.0004.....	27
01375.0000.....	25	12422.0005.....	19	27473.0000.....	9	33634.0011.....	27
01382.0003.....	7	12422.0008.....	19	27574.0000.....	21	33634.0018.....	27
01382.0007.....	9,21	12422.0009.....	11,19	27705.0000.....	25	33634.0019.....	27
01501.0000.....	9	12437.0000.....	21	28004.0001.....	25	33634.0023.....	27
01502.0000.....	13	12499.0002.....	29	28005.0000.....	13	33634.0024.....	27
01512.0000.....	25	12565.0011.....	9	28021.0000.....	13	33634.0028.....	27
01512.0000.....	25	12570.0000.....	25	28479.0000.....	13	33634.0029.....	27
01514.0000.....	15	12756.0000.....	15	28480.0000.....	13	33634.0038.....	27
01519.0000.....	23	12757.0000.....	15	28481.0000.....	13	34550.1004.....	5
01520.0000.....	9	12919.0001.....	15	28526.0020.....	21	34550.1005.....	5
01527.0000.....	9	13054.0000.....	21	28526.0025.....	21	34555.1001.....	5
01532.0000.....	13	13255.0002.....	5	28526.1001.....	21	34555.1002.....	5
01533.0010.....	23	13255.0007.....	7	28526.1002.....	21	34555.1003.....	5
01544.0000.....	21	20203.0100.....	9	28706.0002.....	21	34555.1005.....	5
01590.0000.....	25	20541.0001.....	9	28897.0000.....	23	34588.0001.....	25
01590.0001.....	25	20621.0000.....	23	29075.0000.....	21	34603.1001.....	5
01592.0001.....	25	20631.0000.....	5	29327.0000.....	25	34613.0004.....	5

NUMERICAL INDEX

PART NO.	PAGE NO.	PART NO.	PAGE NO.	PART NO.	PAGE NO.	PART NO.	PAGE NO.
34613.0005.....	5	36083.0000.....	15				
34613.0006.....	5	36083.0001.....	15				
34613.0015.....	5	36084.0000.....	15				
34613.0016.....	5	36085.0000.....	15				
34613.0021.....	5	36086.0000.....	15				
34630.1000.....	5	36087.0000.....	15				
34630.1001.....	5	36088.0000.....	15				
34630.1002.....	5	36088.0001.....	15				
34630.1003.....	5	36088.0005.....	15				
34663.0000.....	11	36089.0000.....	15				
34664.0000.....	9	36233.1005.....	17				
34675.0000.....	25	36233.1006.....	17				
34675.0001.....	25	36302.0000.....	5				
34707.0000.....	27	36378.0001.....	17				
34750.1001.....	11	36398.0000.....	7				
34753.0000.....	11	37297.0004.....	17				
34758.0000.....	11	37297.1001.....	17				
34768.0001.....	15	37526.0000.....	11				
34801.0001.....	19	37859.0001.....	27				
34802.0000.....	5	37859.0002.....	27				
34808.0002.....	27	37859.0003.....	27				
34867.0004.....	19	37862.0003.....	27				
34868.0000.....	19	37881.0000.....	5				
34909.0000.....	13	37947.0000.....	25				
34916.0000.....	5	37947.0004.....	25				
34916.0001.....	5	38030.0000.....	25				
34916.0003.....	5	38045.0000.....	25				
34916.0004.....	5	38108.0000.....	25				
34920.0000.....	5	38166.0000.....	27				
34920.0001.....	5	38280.0000.....	23				
34920.0004.....	5	38338.0000.....	27				
34920.0005.....	5	38358.1000.....	23				
34948.1000.....	5	38358.1001.....	23				
34948.1001.....	5	38444.0000.....	27				
34953.1000.....	5	38894.0001.....	25				
34953.1001.....	5	38894.0002.....	25				
34956.0000.....	19	39803.0000.....	7				
34969.0000.....	13	39981.0000.....	23				
35052.0000.....	19	39982.0000.....	23				
35052.1000.....	19	40071.0001.....	17				
35069.0000.....	27	40726.0000.....	23				
35070.0001.....	19	41259.1003.....	9				
35085.0000.....	13	41266.0000.....	9				
35085.0001.....	15	41280.0001.....	9				
35085.0004.....	15	41640.0000.....	17				
35086.0000.....	11	42738.1001.....	27				
35291.0000.....	7	42739.0000.....	27				
35291.0001.....	7	M2517.0000.....	13				
35308.1004.....	19	M2517.0000.....	15				
35840.0000.....	15	M2522.1000.....	9				
35952.1003.....	27						
35952.1004.....	27						
35952.1005.....	27						
35953.0000.....	23						
35955.0000.....	23						
35955.0001.....	23						
35955.0002.....	23						
36081.0000.....	15						