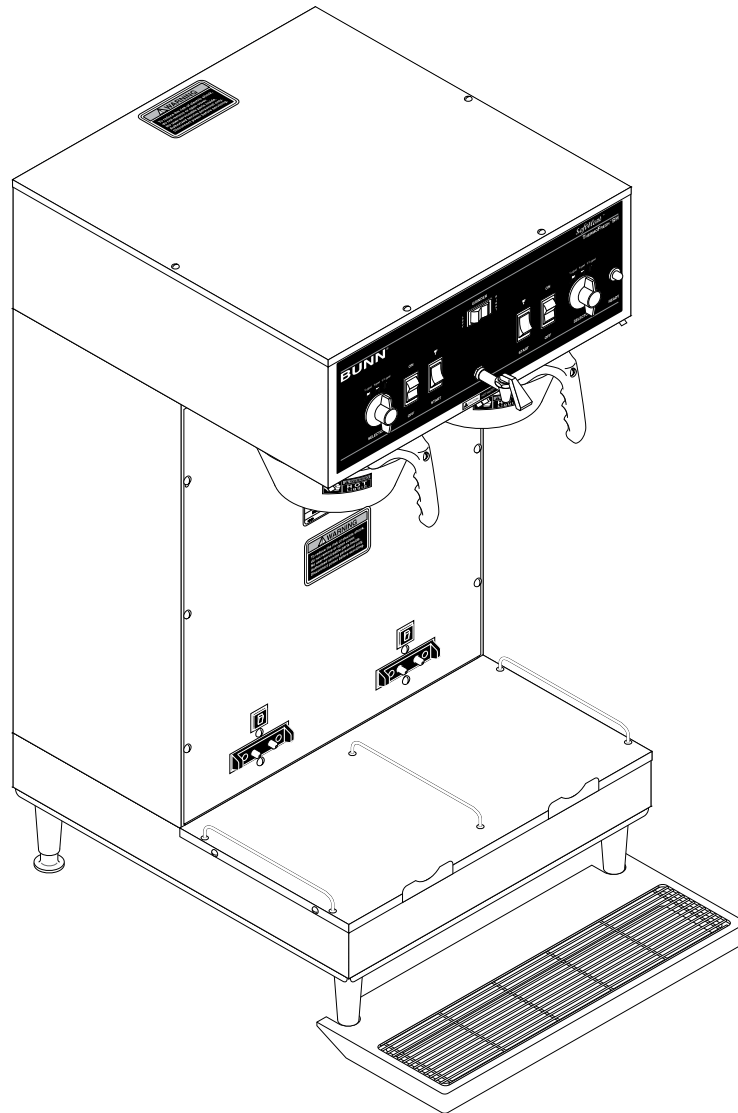


# BUNN®

## *DUAL® SH* *1.50 & 1.75 GALLON*



## ILLUSTRATED PARTS CATALOG

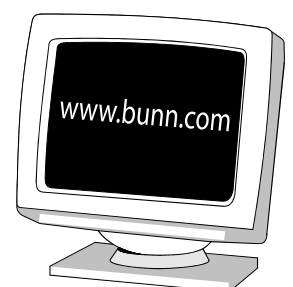
Designs, materials, weights, specifications, and dimensions for equipment or replacement parts are subject to change without notice.

**BUNN-O-MATIC CORPORATION**

POST OFFICE BOX 3227

SPRINGFIELD, ILLINOIS 62708-3227

PHONE: (217) 529-6601 FAX: (217) 529-6644



## **BUNN-O-MATIC COMMERCIAL PRODUCT WARRANTY**

Bunn-O-Matic Corp. ("BUNN") warrants equipment manufactured by it as follows:

- 1) Airpots, thermal carafes, decanters, GPR servers, iced tea/coffee dispensers, MCP/MCA pod brewers thermal servers and ThermoFresh servers (mechanical and digital)- 1 year parts and 1 year labor.
- 2) All other equipment - 2 years parts and 1 year labor plus added warranties as specified below:
  - a) Electronic circuit and/or control boards - parts and labor for 3 years.
  - b) Compressors on refrigeration equipment - 5 years parts and 1 year labor.
  - c) Grinding burrs on coffee grinding equipment to grind coffee to meet original factory screen sieve analysis - parts and labor for 4 years or 40,000 pounds of coffee, whichever comes first.

These warranty periods run from the date of installation BUNN warrants that the equipment manufactured by it will be commercially free of defects in material and workmanship existing at the time of manufacture and appearing within the applicable warranty period. This warranty does not apply to any equipment, component or part that was not manufactured by BUNN or that, in BUNN's judgment, has been affected by misuse, neglect, alteration, improper installation or operation, improper maintenance or repair, non periodic cleaning and descaling, equipment failures related to poor water quality, damage or casualty. In addition, the warranty does not apply to replacement of items subject to normal use including but not limited to user replaceable parts such as seals and gaskets. This warranty is conditioned on the Buyer 1) giving BUNN prompt notice of any claim to be made under this warranty by telephone at (217) 529-6601 or by writing to Post Office Box 3227, Springfield, Illinois 62708-3227; 2) if requested by BUNN, shipping the defective equipment prepaid to an authorized BUNN service location; and 3) receiving prior authorization from BUNN that the defective equipment is under warranty.

**THE FOREGOING WARRANTY IS EXCLUSIVE AND IS IN LIEU OF ANY OTHER WARRANTY, WRITTEN OR ORAL, EXPRESS OR IMPLIED, INCLUDING, BUT NOT LIMITED TO, ANY IMPLIED WARRANTY OF EITHER MERCHANTABILITY OR FITNESS FOR A PARTICULAR PURPOSE.** The agents, dealers or employees of BUNN are not authorized to make modifications to this warranty or to make additional warranties that are binding on BUNN. Accordingly, statements by such individuals, whether oral or written, do not constitute warranties and should not be relied upon.

If BUNN determines in its sole discretion that the equipment does not conform to the warranty, BUNN, at its exclusive option while the equipment is under warranty, shall either 1) provide at no charge replacement parts and/or labor (during the applicable parts and labor warranty periods specified above) to repair the defective components, provided that this repair is done by a BUNN Authorized Service Representative; or 2) shall replace the equipment or refund the purchase price for the equipment.

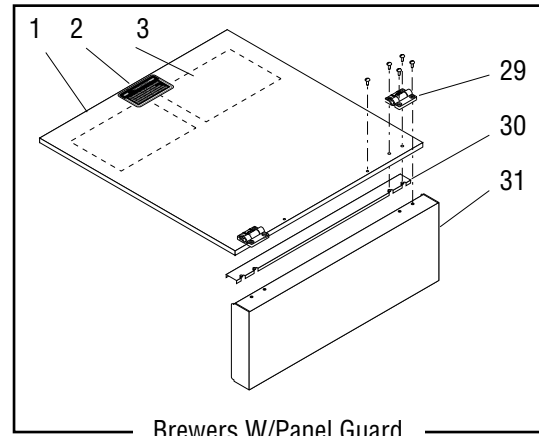
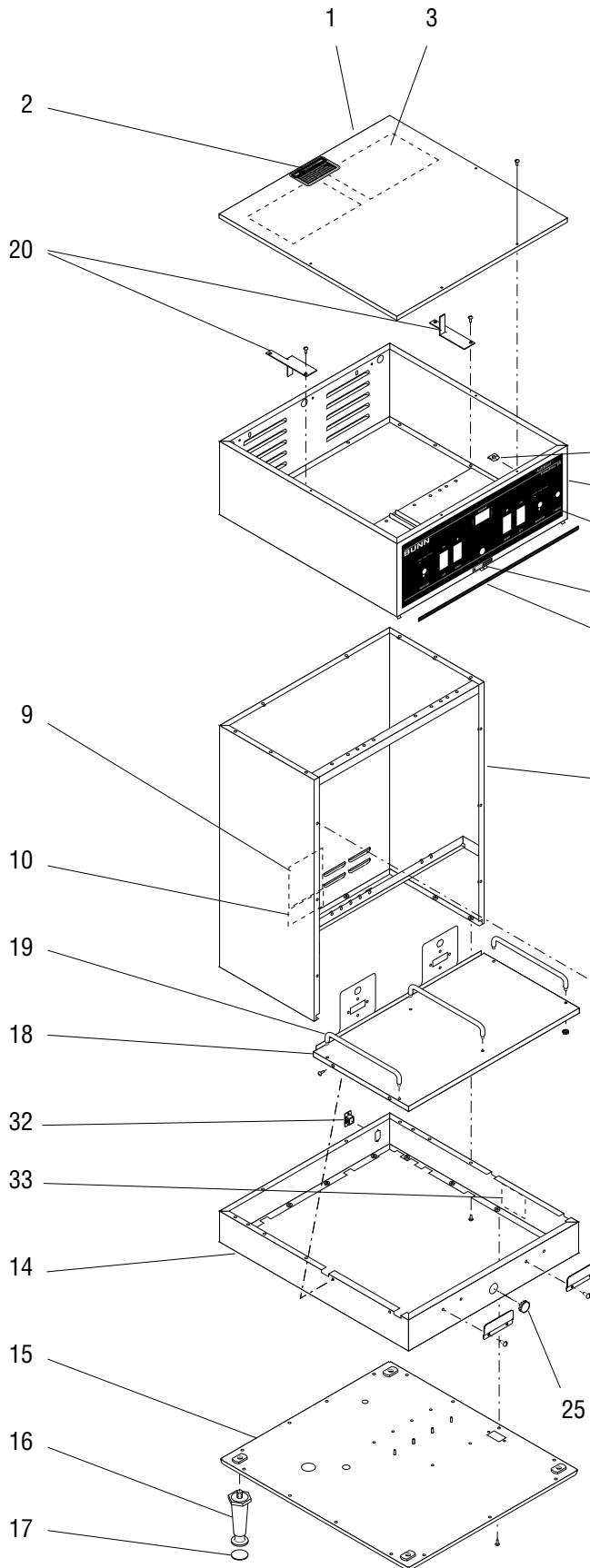
**THE BUYER'S REMEDY AGAINST BUNN FOR THE BREACH OF ANY OBLIGATION ARISING OUT OF THE SALE OF THIS EQUIPMENT, WHETHER DERIVED FROM WARRANTY OR OTHERWISE, SHALL BE LIMITED, AT BUNN'S SOLE OPTION AS SPECIFIED HEREIN, TO REPAIR, REPLACEMENT OR REFUND.**

In no event shall BUNN be liable for any other damage or loss, including, but not limited to, lost profits, lost sales, loss of use of equipment, claims of Buyer's customers, cost of capital, cost of down time, cost of substitute equipment, facilities or services, or any other special, incidental or consequential damages.

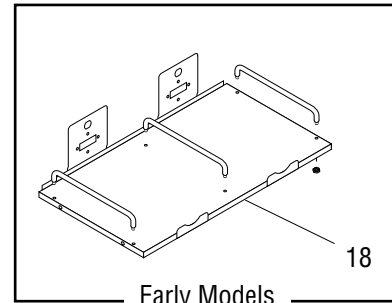
392, AutoPOD, AXIOM, BrewLOGIC, BrewMETER, Brew Better Not Bitter, BrewWISE, BrewWIZARD, BUNN Espresso, BUNN Family Gourmet, BUNN Gourmet, BUNN Pour-O-Matic, BUNN, BUNN with the stylized red line, BUNNlink, Bunn-OMatic, Bunn-O-Matic, BUNNserve, BUNNSERVE with the stylized wrench design, Cool Froth, DBC, Dr. Brew stylized Dr. design, Dual, Easy Pour, EasyClear, EasyGard, FlavorGard, Gourmet Ice, Gourmet Juice, High Intensity, iMIX, Infusion Series, Intellisteam, My Café, Phase Brew, PowerLogic, Quality Beverage Equipment Worldwide, Respect Earth, Respect Earth with the stylized leaf and coffee cherry design, Safety-Fresh, savemycoffee.com, Scale-Pro, Silver Series, Single, Smart Funnel, Smart Hopper, SmartWAVE, Soft Heat, SplashGard, The Mark of Quality in Beverage Equipment Worldwide, ThermoFresh, Titan, trifecta, Velocity Brew, A Partner You Can Count On, Air Brew, Air Infusion, Beverage Bar Creator, Beverage Profit Calculator, Brew better, not bitter., BUNNSource, Coffee At Its Best, Cyclonic Heating System, Daypart, Digital Brewer Control, Nothing Brews Like a BUNN, Pouring Profits, Signature Series, Tea At Its Best, The Horizontal Red Line, Ultra are either trademarks or registered trademarks of Bunn-O-Matic Corporation.

## TABLE OF CONTENTS

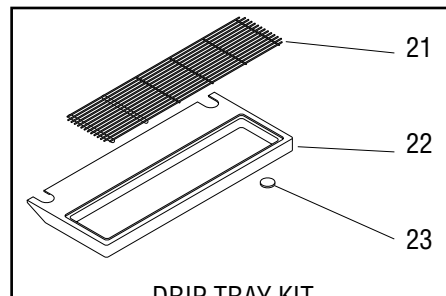
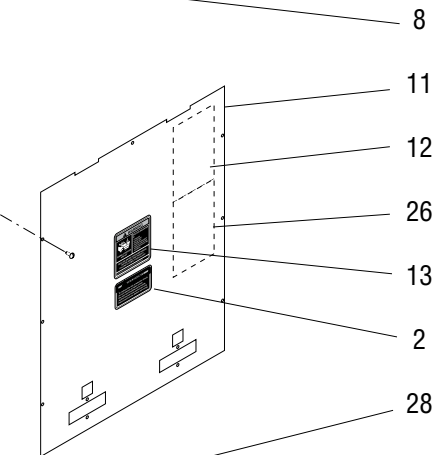
Base - Trunk - Hood - Covers & Panels .....	4
Digital Brewer Control Assembly .....	10
Dispense Valve and Sprayhead .....	24
Electrical Controls & Ready Light .....	30
Faucet (Without Tube Warmer).....	26
Faucet (With Tube Warmer).....	28
Funnel.....	38
Numerical Index .....	40
Strainer/Flow Control - Solenoid & Lines (Without Backflow Prevention) .....	16
Strainer/Flow Control - Solenoid & Lines (With Backflow Prevention) .....	22
Tank and Mounting Brackets .....	14
Tank Heater & Overflow Protection Devices .....	12
Triple Set Timers & Thermostat.....	8
Water By-Pass.....	20



Brewers W/Panel Guard



Early Models



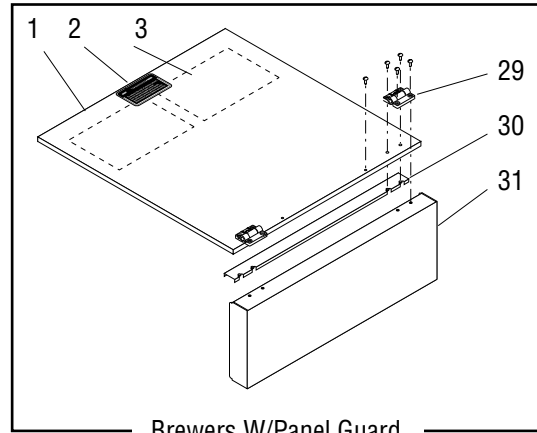
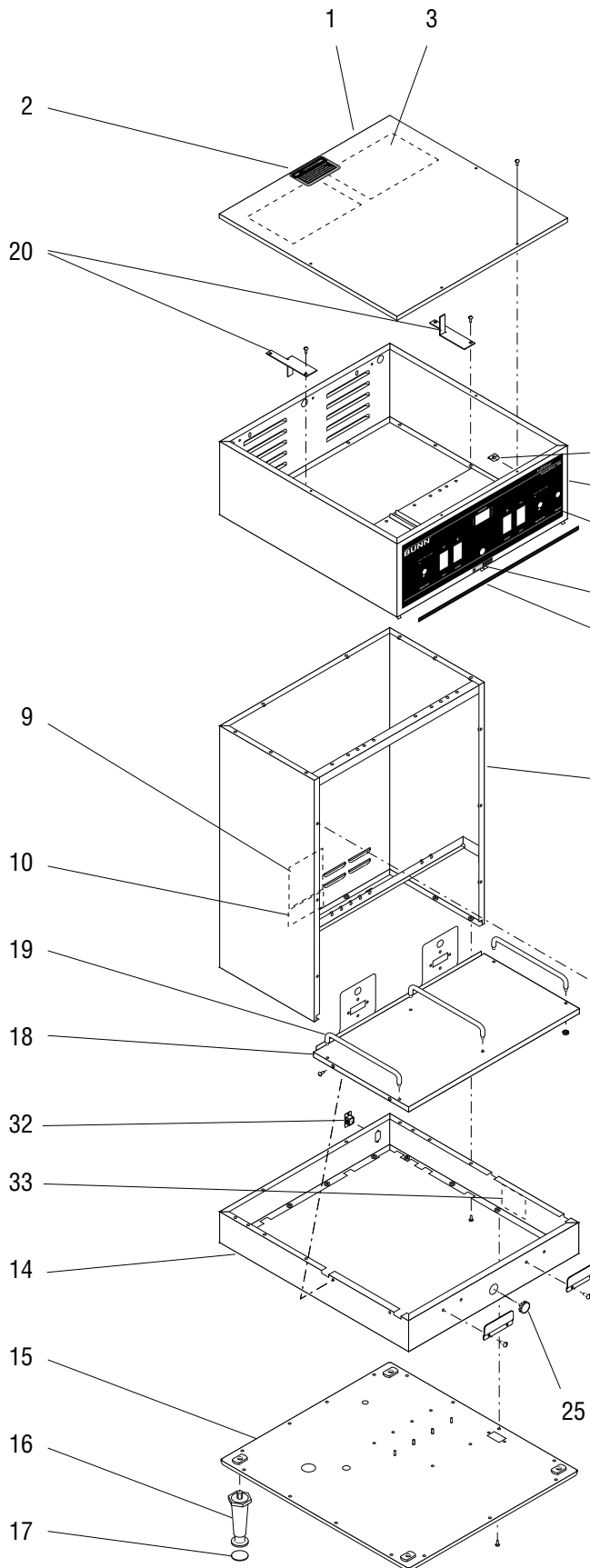
DRIP TRAY KIT

## BASE - TRUNK - HOOD - COVERS & PANELS

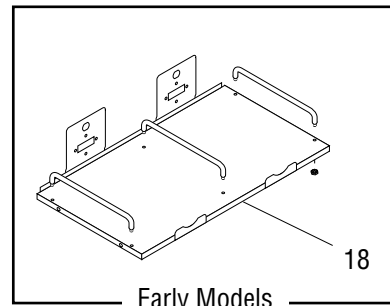
ITEM	PART NO.	QTY.	DESCRIPTION	
1	25376.0000	1	Cover Assy, Top SST (Includes items 2 & 3)	
	25376.0002	1	Cover Assy, Top BLK (Includes items 2 & 3)	
	25376.0001	1	Cover Assy, Top SST (Includes items 2 & 3) (DBC)	
	20921.1004	1	Cover Assy, Top (Includes item 2 & 3) (Brewers W/Panel Guard)	
	02336.0000	4	Screw, Truss Head #4 - 40 x .38"	
2	37881.0000	2	Decal, Warning "No Serviceable Parts"	
3	25151.0000	2	Shield, Insulator	
4	00916.0000	4	Clip, J-Type #4-40	
5	26303.0002	1	Hood W/Decals SST (Includes items 6 & 7) (1.75 Gallon Models)	
	26303.0003	1	Hood W/Decals SST (Includes items 6 & 7) (1.50 Gallon Models)	
	26303.0004	1	Hood W/Decals BLK (Includes items 6 & 7) (1.50 Gallon Models)	
	26848.1002	1	Hood W/Decals SST (Includes item 6) (230V models)	
	02308.0000	16	Screw, Pan Head #8 - 32 x .375"	
6	20966.0009	1	Decal, Control Panel (1.75 Gallon Models) (2 Ready Lights)	
	20966.0023	1	Decal, Control Panel (1.75 Gallon Models) (1 Ready Light)	
	28192.0000	1	Decal, Control Panel (2 Ready Lights with Faucet)	
	28192.0003	1	Decal, Control Panel (2 Ready Lights without Faucet)	
	28192.0007	1	Decal, Control Panel (1 Ready Light with Faucet)	
	28192.0010	1	Decal, Control Panel (1 Ready Light without Faucet)	
	28192.0001	1	Decal, Control Panel (230V) (2 Ready Lights with Faucet)	
	28192.0002	1	Decal, Control Panel (230V) (2 Ready Lights without Faucet)	
	28192.0008	1	Decal, Control Panel (230V) (1 Ready Light with Faucet)	
	28192.0009	1	Decal, Control Panel (230V) (1 Ready Light without Faucet)	
7	20201.5600	1	Decal, Caution Hot Water (Early models)	
8	26835.1000	1	Trunk W/Decals SST (Includes item 9 & 10)	
	26835.1001	1	Trunk W/Decals BLK (Includes item 9 & 10)	
9	00831.0000	1	Decal, Warning - Electrical	
10	00656.0001	1	Decal, Comply to Plumbing Code	
11	28221.0000	1	Panel W/Decals, Trunk SST (Includes items 2, 12, & 13)	
	28221.0001	1	Panel W/Decals, Trunk BLK (Includes items 2, 12, & 13)	
	01382.0003	11	Screw, Truss Head #6 - 32 x .375"	
12	28218.0000	1	Schematic (120/208V) (Prior to S.N.DUAL026000)	
	29331.0000	1	Schematic (120/208V) (DBC)	
	28218.0003	1	Schematic (120/208V) (After S.N. DUAL026000)	
	28218.0009	1	Schematic (230V models with Faucet Tube Warmer)	
	28218.0010	1	Schematic (230/400V models)	
	28218.0011	1	Schematic (230V models without Faucet Tube Warmer)	
13	00658.0000	1	Decal, Caution - Decanter/Funnel	
14	26840.1000	1	Base Housing SST (120/208V & 120/240V)	Models with welded server stops
	26840.0001	1	Base Housing (230V)	
	26840.1002	1	Base Housing BLK (120/208V & 120/240V)	
	26840.1004	1	Base Housing (230V Models W/Lower Faucet & Tank Drain)	
	26840.1005	1	Base Housing SST 120/208V & 120/240V (Includes item 7)	Models with removable server stops
	26840.1007	1	Base Housing BLK 120/208V & 120/240V (Includes item 7)	
	35334.0002	1	Base Housing SST 230V	
	02308.0000	8	Screw, Pan Head #8 - 32 x .375"	

(continued)

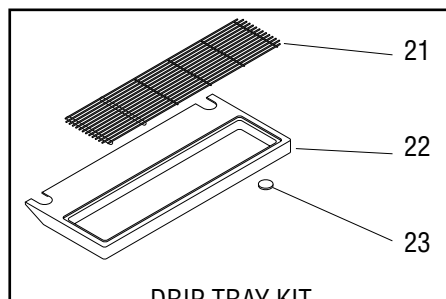
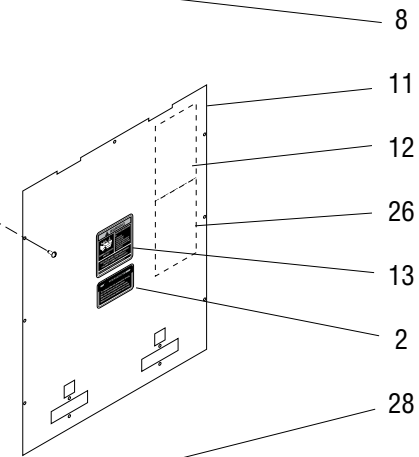
\* Indicates the part number listed is for reference only. See DESCRIPTION for possible service replacement.



Brewers W/Panel Guard



Early Models

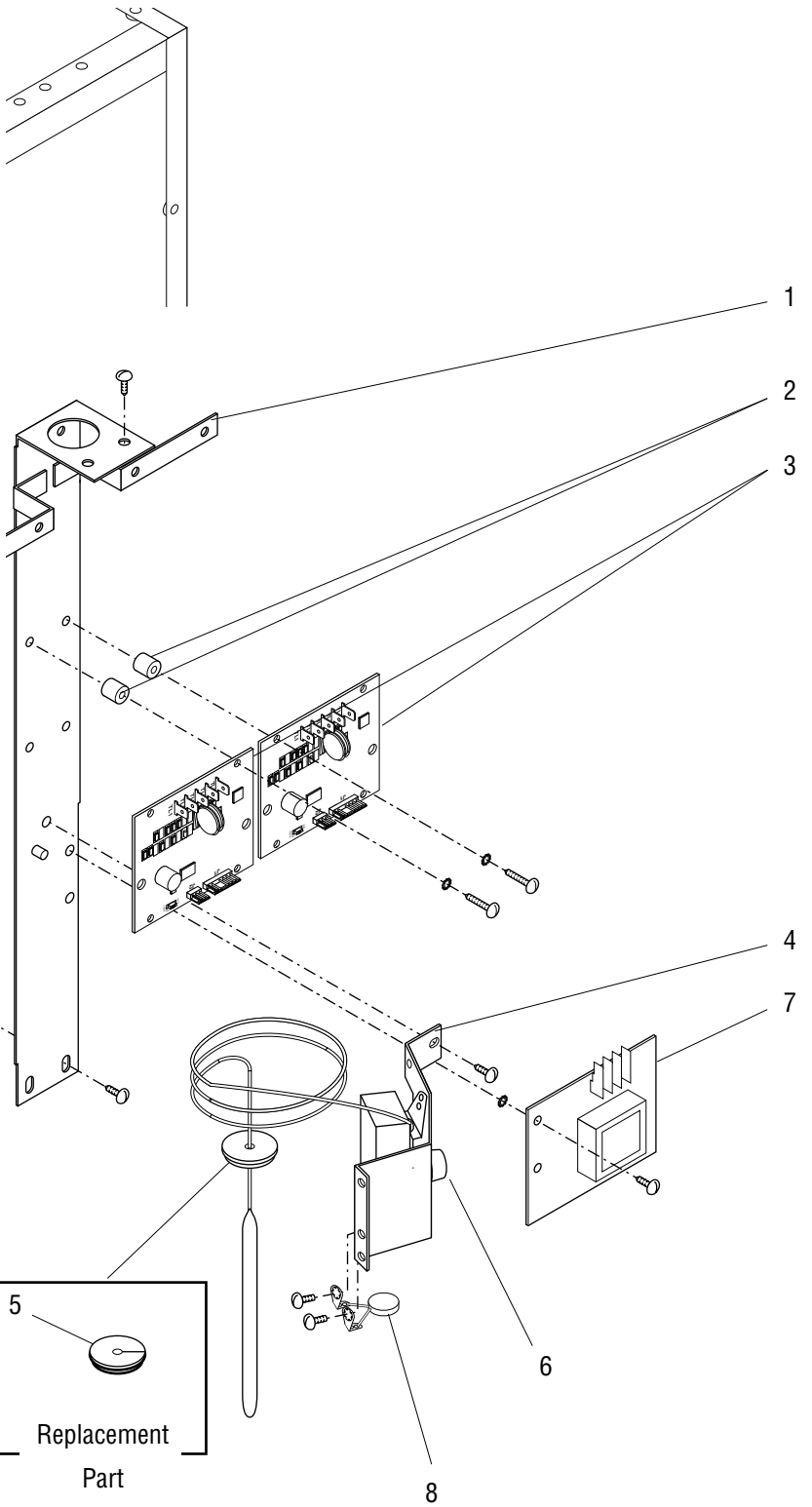
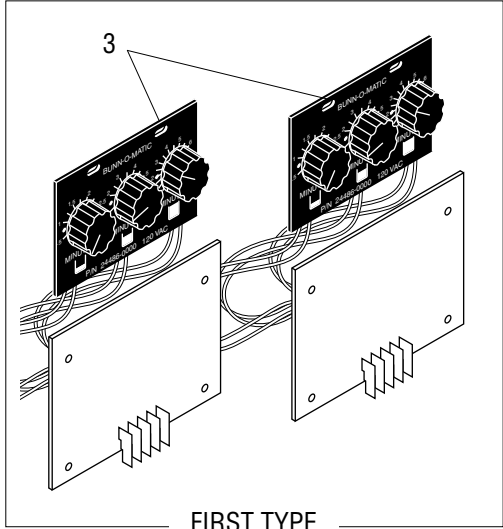


DRIP TRAY KIT

## BASE - TRUNK - HOOD - COVERS & PANELS

ITEM	PART NO.	QTY.	DESCRIPTION
15	38936.0000	1	Cover, Bottom (Also see item 35)
	38936.0007	1	Cover, Bottom (Models with Main Power Switch)
	38936.0001	1	Cover, Bottom (Black Decor) (Also see item 35)
	38936.0009	1	Cover, Bottom (Black Decor) (Models with Main Power Switch)
	38936.0003	1	Cover, Bottom (3 Phase models) (Also see item 35)
	27765.0003	1	Cover, Bottom (Models with Tank Drain) (Early models)
	02308.0000	15	Screw, Pan Head #8 - 32 x .375"
16	26528.0000	4	Leg 4.0" Plastic
17	03996.0000	4	Pad, Anti Skid
18	27760.0000	1	Cover, Server Platform SST
	27760.0001	1	Cover, Server Platform BLK
	27760.0002	1	Cover, Server Platform SST
	27760.0004	1	Cover, Server Platform BLK
	01382.0003	4	Screw, Truss Head #6 - 32 x .375"
19	12249.0001	3	Guide Rail
	00970.0000	6	Nut, Keps #8 - 32
20	26949.0000	2	Bracket, Tank Supporting
21	26916.0000	1	Wire Grill, Drip Tray
22	26971.1000	1	Drip Tray W/Pads (Includes item 23)
23	11591.0000	4	Pad, Adhesive 1.0" Dia.
24	27150.0000	1	Drip Tray Kit (Includes items 21, 22 & 23) (Optional on 1.5 Gallon Models)
25	00619.0007	1	Plug, .50" Hole
	00669.0002	1	Plug, .50" Hole (Black Decor models)
26	32540.0000	1	Decal, Timer Setting Instruction
27	22306.0001	1	Decal, Red Decor Stripe (Black Decor models only)
28	21537.0001	2	Plate, Server Stop
	21537.0003	2	Plate, Server Stop (Black Decor models)
	01347.0000	4	Screw, Truss Head #6-32 x .375"
	01347.0002	4	Screw, Truss Head BLK #6-32 x .375"
29	26504.0000	2	Hinge, Panel Guard
	01382.0003	8	Screw, Truss Head W/Nylon Patch #6-32 x .375"
30	29384.0000	1	Bracket, Hinge Support
31	32323.0001	1	Guard, Panel
32	36398.0000	1	Plug, Hole DB-9 (Early models)
33	39803.0000	1	Decal, Main Switch (Models with Main Power Switch only)
34	13255.0003	-	Leg Kit (Includes 4 each of items 16 & 17) (Not illustrated)
35	38936.1001	1	Bottom Cover Kit, BLK
	38936.1005	1	Bottom Cover Kit, SST

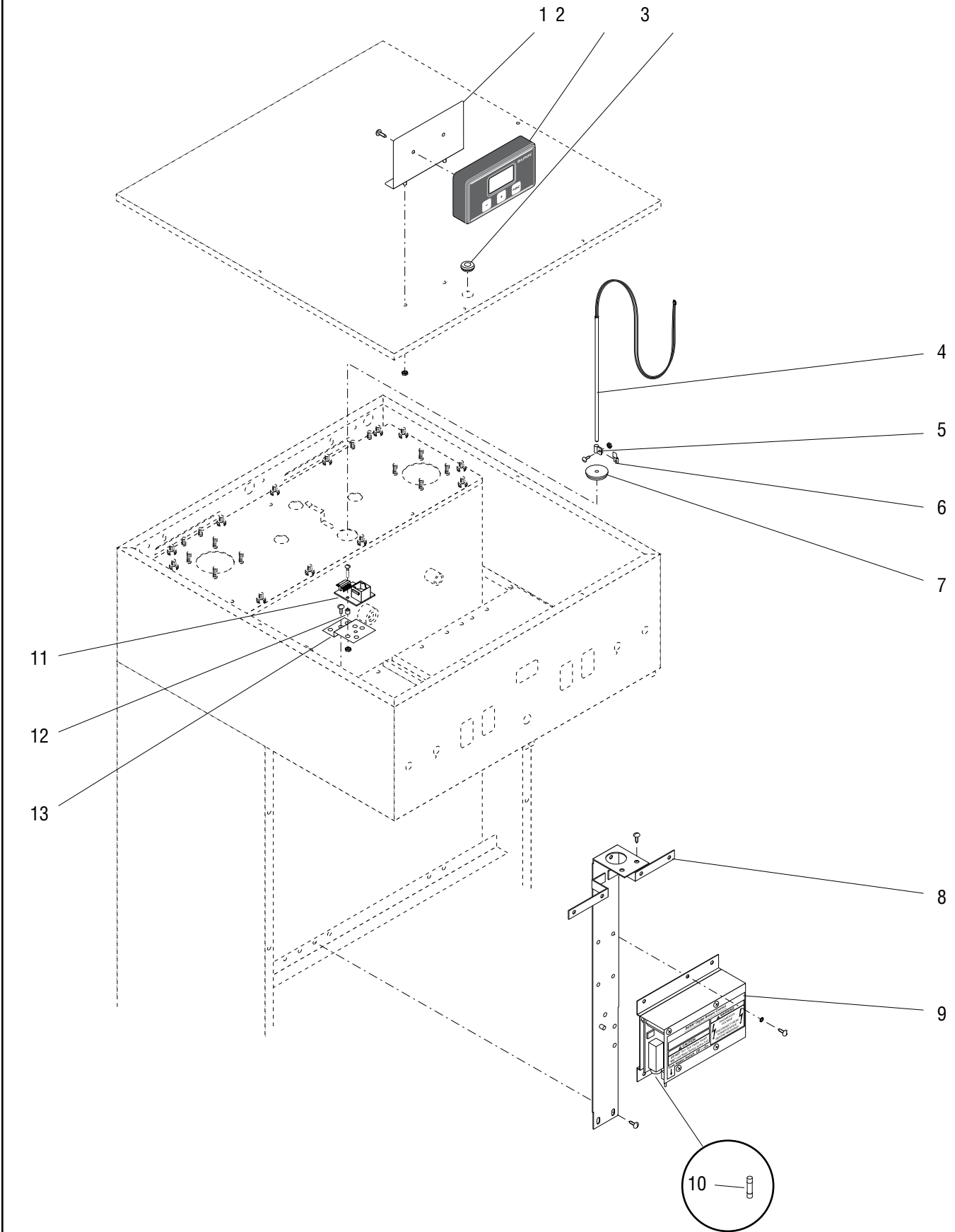
\* Indicates the part number listed is for reference only. See DESCRIPTION for possible service replacement.





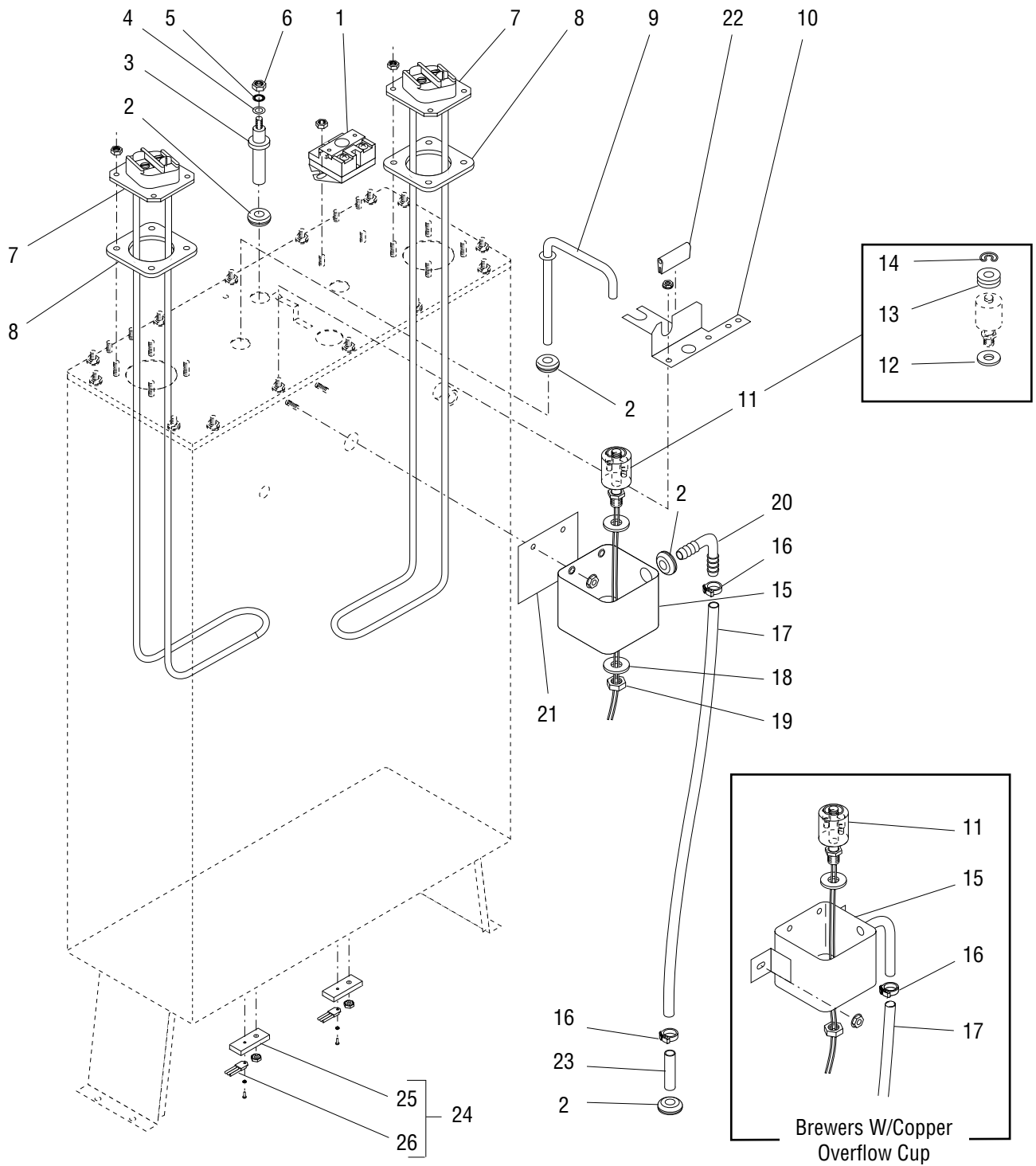
## TRIPLE SET TIMERS & THERMOSTAT

ITEM	PART NO.	QTY.	DESCRIPTION
1	20948.0000	1	Bracket, Component Mounting (Used with Tripple Timer)
	20948.0001	1	Bracket, Component Mounting (Used with Digital Timer)
	02308.0000	4	Screw, Pan Head #8 - 32 x .375"
2	01533.0000	4	Spacer, Nylon .375"
3	-----	2	Timer, Triple (120/208V & 120/240V Models)(No Longer Available. Order Item 9)
	-----	2	Timer, Triple (200V & 240V Models) (No Longer Available. Order Item 10)
	32400.0002	2	Timer, Digital 120V
	32400.0003	2	Timer, Digital 240V
	01347.0000	4	Screw, Truss Head #6 - 32 x .375" (Not used with Digital Timer)
	01510.0000	4	Lockwasher, External Tooth #6
	01388.0000	4	Screw, Truss Head #6 - 32 x .75"
	12919.0008	2	Cap, Terminal (Not illustrated)
4	04314.0007	1	Thermostat Kit 120V (Mechanical)
	02308.0000	1	Screw, Pan Head #8-32 x .375" (Mounting)
	20762.0000	2	Screw, Binding Head #8-32 x .250" (Terminals)
5	07073.0000	1	Grommet, Thermostat
6	00720.0000	1	Knob, Thermostat
7	07074.1033	1	Control Board, Level 120V
	07074.1028	1	Control Board, Level 230V
	02308.0000	2	Screw, Pan Head #8 - 32 x .375"
	01511.0000	2	Lockwasher, External Tooth #8
8	28377.0000	1	Noise Suppresor (Not used with Digital Timer)
9	32400.0000	1	Timer Kit, Digital 120V (with Adapter)
10	32400.0001	1	Timer Kit, Digital 240V (with Adapter)



## DIGITAL BREWER CONTROL ASSEMBLY

ITEM	PART NO.	QTY.	DESCRIPTION
1	25648.0000	1	Bracket, Mounting
	00970.0000	2	Nut, Keps #8 - 32
2	25654.0000	1	DBC Display Assembly
	02328.0003	2	Screw, Pan Head #6 - 32 x .312"
3	07075.0000	1	Grommet, Silicone .437" I.D.
4	12568.0003	1	Sensor, Temperature
5	26263.0000	1	Clamp, Steel .12"/.19"
	01382.0000	1	Screw, Truss Head #6 - 32 x .375"
	00973.0000	1	Nut, Keps #6 - 32
6	01667.0000	1	Terminal, .25"
7	12570.0000	1	Grommet, Temp. Sensor
8	20948.0001	1	Bracket, Component Mounting
	02308.0000	4	Screw, Pan Head #8 - 32 x .375"
9	25468.0002	1	DBC Power Board Assembly (Includes item 10)
	02308.0000	2	Screw, Pan Head #8 - 32 x .375"
10	27035.0000	1	Fuse, AGC 5 AMP 250V
11	25513.0000	1	Receptacle, Display
	01388.0000	2	Screw, Truss Head #6 - 32 x .75"
	00973.0000	2	Nut, Keps #6 - 32
12	01533.0000	2	Spacer, Nylon .375"
13	07441.0000	1	Bracket, Mounting
	01347.0000	2	Screw, Truss #6 - 32 x .375"
	00973.0000	2	Nut, Keps #6 - 32
14	25662.0000	1	Cord Assembly, Display 12.0" (Not illustrated)

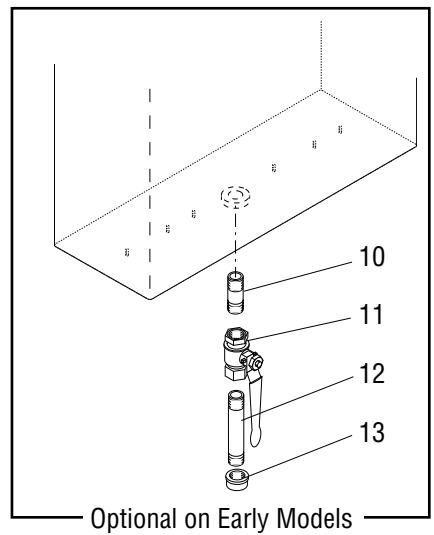
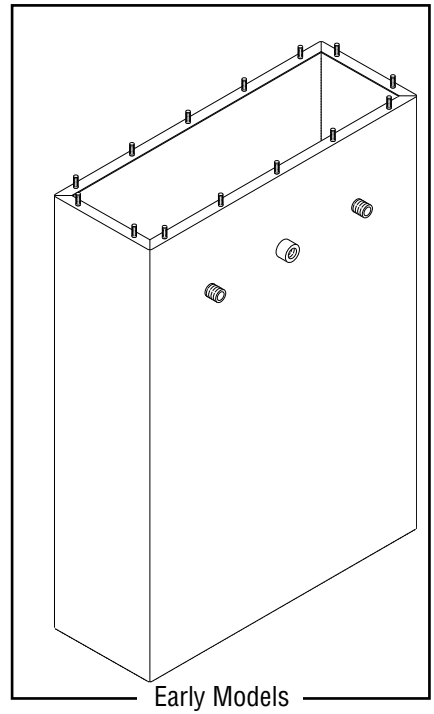
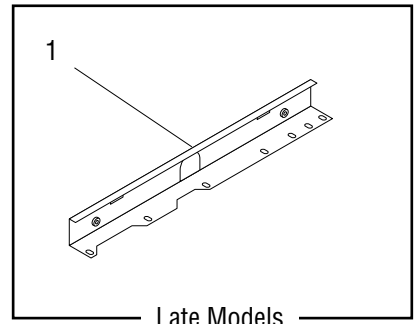
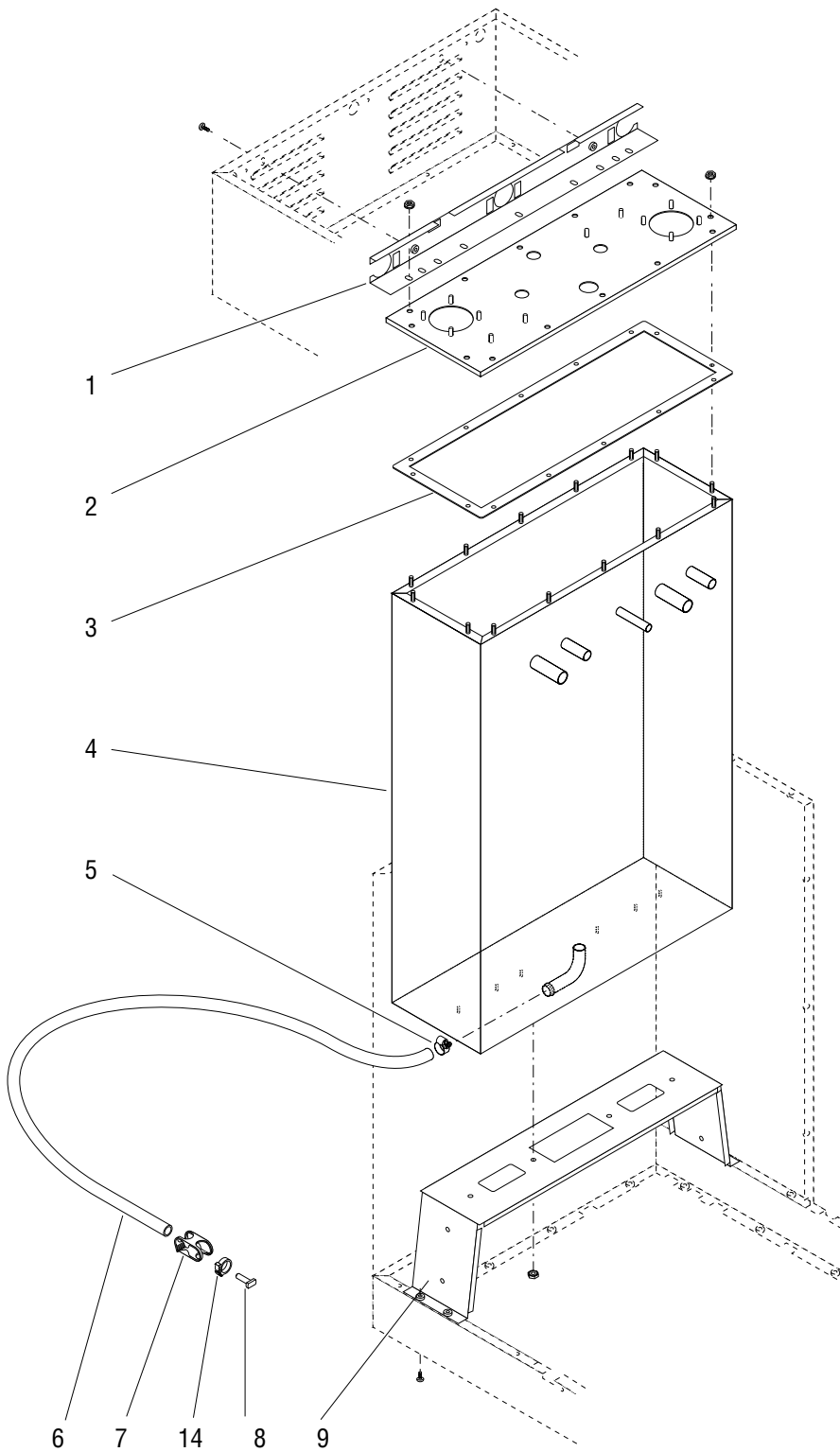


## TANK HEATER & OVERFLOW PROTECTION DEVICES

ITEM	PART NO.	QTY.	DESCRIPTION
1	23717.0003 00908.0000	1 2	Thermostat, Limit (2 used on 230V models, 3 used on 3 Phase models) Nut, Hex #8 - 32
2	02536.0000	3	Grommet, .375" I.D.
3	20936.1000	1	Probe Kit (Includes items 4, 5 & 6)
4	01501.0000	1	Washer, .164" I.D. x .375" O.D.
5	20203.0100	1	Lockwasher, Internal Tooth #8
6	00908.0000	1	Nut, Hex #8 - 32
7	20922.1002 20922.1000 00908.0000	2 2 8	Tank Heater, 2850W @ 208V, 3795W @ 240V (Includes item 8) Tank Heater, 3300W @ 240V (Includes item 8) (3 used on 3 Phase models) Nut, Hex #8 - 32 (12 used on 3 Phase models)
8	12398.0002	2	Gasket, Tank Heater (3 used on 3 Phase models)
9	26622.0001	1	Tube Assy, Vent
10	27473.0000	1	Bracket, Overflow Cup Mounting
11	03803.0002 00946.0000	1 1	Switch Assy, Liquid Level (Includes items 12, 13 & 14) Nut, Hex .125" FPT
12	03633.0000	2	Gasket, Float Switch (Only 1 used in this application)
13	-----	3	Washer, Adjusting (Not used in some applications)
14	03807.0000	1	Clip, Spring
15	22728.0000 41259.1003 00971.0000	1 1 2	Overflow Cup Assy Copper (Second type) (Also replaces aluminum cup) Kit, Overflow Cup (Aluminum) (Includes items 2, 18, 20 & 21) Nut, Keps #10-32
16	12422.0000	2	Clamp, Hose .47"/.54" I.D.
17	03236.0007*	1	Tube, Silicone .312" I.D. x 29" (Order item 28)
18	04797.0000	1	Washer, Celcon .520" I.D. x 1.0" O.D.
19	00946.0000	1	Nut, Hex .125" FPT
20	41280.0001	1	Elbow, .375" Multi Barb
21	41266.0000	1	Film, Insulating
22	02434.0013*	1	U-Channel 1.0" (Order item 29)
23	21801.0002	1	Tube, .375" O.D.
24	12527.0008	2	Triac/Heat Sink Assy (Includes items 25 - 27) (DBC)
25	12561.0000	1	Heat Sink, Copper
26	12565.0008 02328.0003 01520.0000	1 1 1	Triac Assy, 40 amp Screw, Pan Head #6-32 x .312" Lockwasher, #6
27	M2522.1000	-	Heat Sink Compound
28	03236.1001 03236.1003 03236.1002	- - -	Tube, Silicone .312" I.D. x 36.0" Tube, Silicone .312" I.D. x 60.0" Tube, Silicone .312" I.D. x 120.0"
29	02434.1000	-	U-Channel 18.0" (Use as required)

Not illustrated

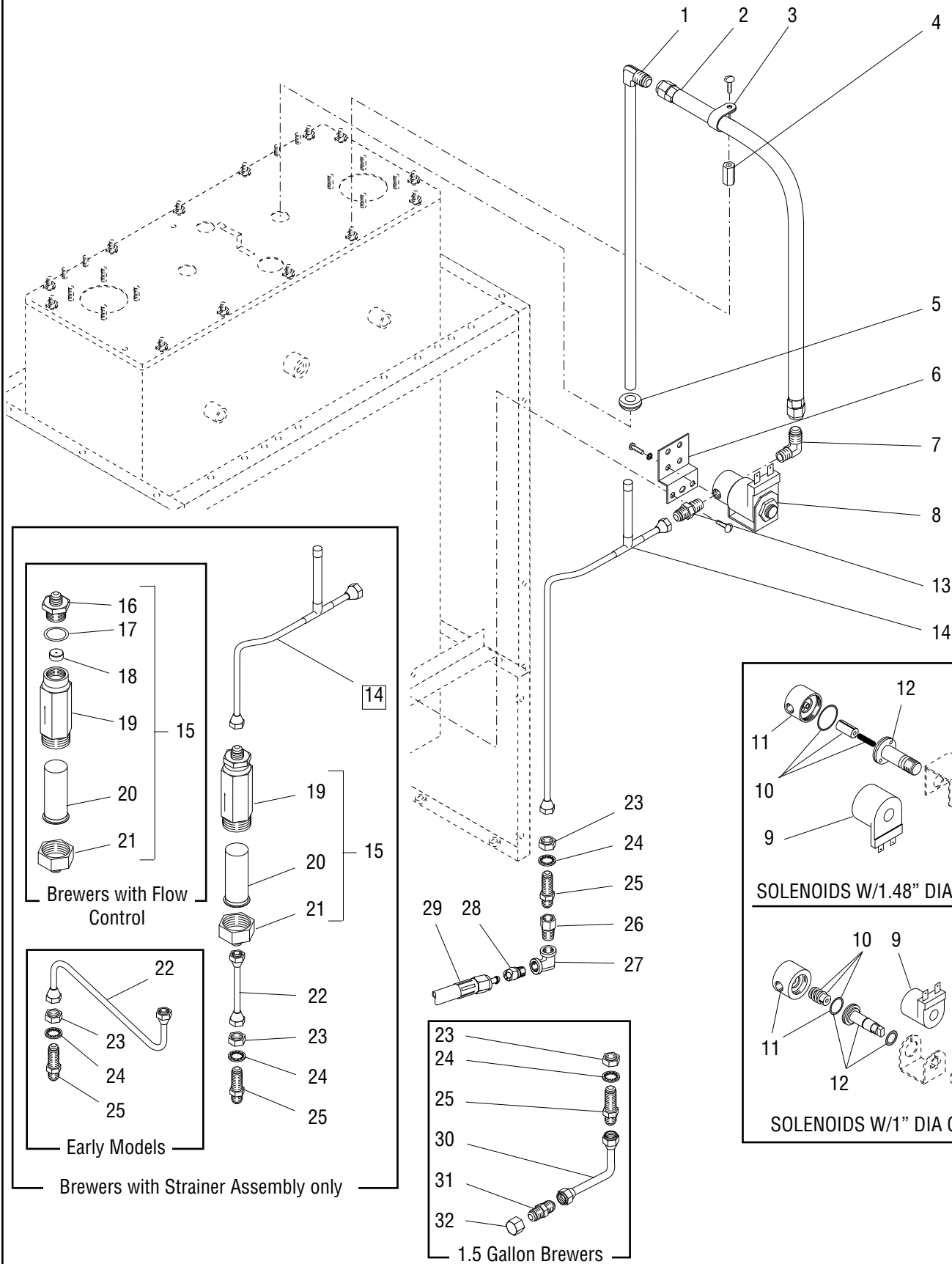
\* Indicates the part number listed is for reference only. See DESCRIPTION for possible service replacement.



## TANK AND MOUNTING BRACKETS

ITEM	PART NO.	QTY.	DESCRIPTION
1	26826.0000*	1	Bracket, Tank Support (Top) (Early models. Not available rder Late Model Bracket)
	37526.0000	1	Bracket, Tank Support (Top) (Late models)
	02308.0000	2	Screw, Pan Head #8 - 32 x .375"
	00908.0000	2	Nut, Hex #8 - 32 (2 additional used on early models)
2	20881.0000	1	Lid, Tank
	37524.0000	1	Lid, Tank (Models with 3 Tank Heaters)
	00908.0000	14	Nut, Hex #8 - 32
3	20883.0000	1	Gasket, Tank
4	20951.1000	1	Tank (Early models without Tank Drain)
	20878.1006	1	Tank (Early models with Tank Drain)
	20878.1008	1	Tank (Late models with Tank Drain)
5	29421.0000	1	Clamp, Hose-Worm Drive .625"/.75"
6	32591.0011*	1	Tube, Silicone .50" I.D. x 36" LG (Order item 15)
7	11630.0001	1	Clamp, Tubing Shut Off .75" O.D.
8	35086.0000	1	Plug, .50" I.D. Hose
9	26829.0000	1	Bracket, Tank Mounting (Bottom)
	00971.0000	4	Nut, Keps #10 - 32
	02308.0000	4	Screw, Pan Head #8 - 32 x .375"
10	32242.0000	1	Nipple, Brass 2.0" rowspan="4">} Optional on Early Models
11	32238.0000	1	Valve, Ball Shut-off
12	32242.0001	1	Nipple, Brass 4.0"
13	32241.0000	1	Cap
14	12422.0009	2	Clamp, Hose .71"/.80" I.D.
15	32591.1002	-	Tube, Silicone .50" I.D. x 36.0" LG

\* Indicates the part number listed is for reference only. See DESCRIPTION for possible service replacement.



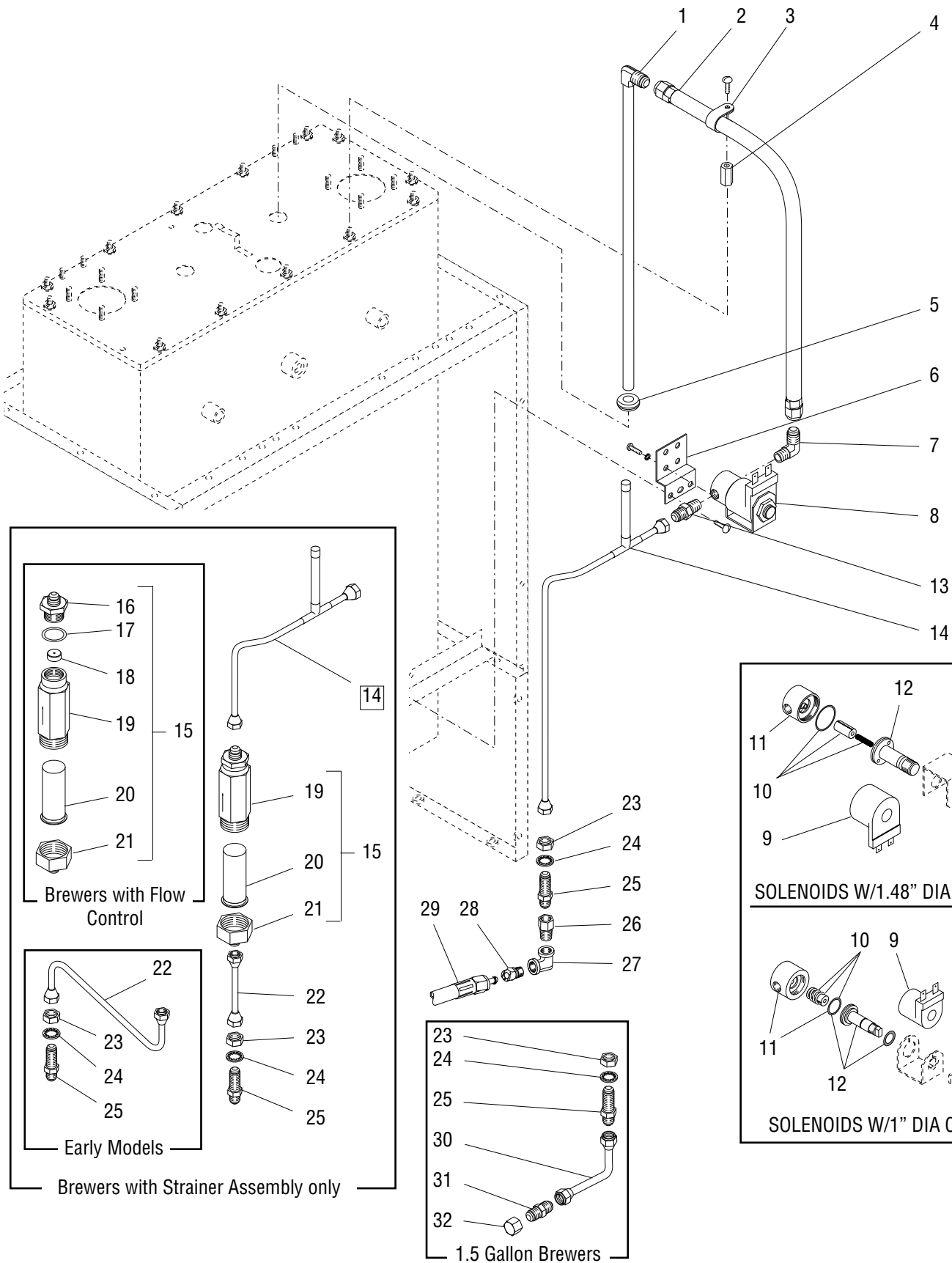


## STRAINER, SOLENOID & LINES (BREWERS WITHOUT BACKFLOW PREVENTION)

ITEM	PART NO.	QTY.	DESCRIPTION				
1	20937.0000	1	Tube, Tank Fill				
2	20977.1000	1	Hose Assy, Solenoid to Tank				
3	00620.0000	1	Clamp, Hose Retaining				
	02308.0000	1	Screw, Pan Head #8 - 32 x .375"				
4	00950.0000	1	Spacer, Hose Clamp				
5	02536.0000	1	Grommet, .375" I.D.				
6	20201.4301	1	Bracket, Solenoid Mounting	}	120V models		
	02308.0000	2	Screw, Pan Head #8 - 32 x .375"				
	28309.0000	1	Bracket, Solenoid Mounting	}	230V models		
	02329.0000	2	Screw, Pan Head #8 - 32 x .312"				
7	00400.0001	1	Elbow, Male .250" Flare x .125" MPT				
8	01085.1006	1	Solenoid Valve Assy, 120V - 1.50" Dia Coil				
	01085.0002	1	Solenoid Valve Assy, 120V - 1.0" Dia Coil				
	21180.0000	1	Solenoid Valve Assy 200V - 1.50" Dia Coil				
	01085.0007	1	Solenoid Valve Assy 230V - 1.50" Dia Coil (Late models)				
	01327.0000	2	Screw, Pan Head #10 - 32 x .375"				
	01502.0000	2	Lockwasher, Split #10				
	28005.0000	1	Solenoid Valve Assy 230V (Includes items 7 & 8) (Early models)				
	01315.0000	2	Screw, Truss Head #8 - 32 x .38"				
	01519.0000	2	Lockwasher, Split #8				
9	01101.0000	1	Solenoid Valve Coil, 120V - 1.50" Dia				
	28480.0000	1	Solenoid Valve Coil, 120V - 1.0" Dia				
	21181.0000	1	Solenoid Valve Coil, 200V				
	28020.0000	1	Solenoid Valve Coil, 230V (Early models)				
	01100.0000	1	Solenoid Valve Coil, 230V (Late models)				
10	01111.0000	1	Solenoid Valve Repair Kit - 1.50" Dia Coil (Includes Plunger, Seal and Spring)				
	01111.0002	1	Solenoid Valve Repair Kit - 1.0" Dia Coil (Includes Plunger, Spring and O-ring)				
	28021.0000	1	Solenoid Valve Repair Kit, 230V (Early models)				
11	01079.0000	1	Solenoid Valve Base - 1.48" Dia Coil				
	28479.0000	1	Solenoid Valve Base Kit - 1" Dia Coil (Includes O-ring)				
12	01116.0000	1	Guide - 1.48" Dia Coil				
	28481.0000	1	Guide Kit - 1" Dia Coil				
13	00402.0001	1	Connector, .250" Flare x .125" MPT				
14	25134.0000	1	Tube Assy, Flow Control to Solenoid (Brewers with Strainer Assy)				
	25134.0001	1	Tube Assy, Flow Control to Solenoid (Brewers without Strainer Assy)				
15	22300.0750	1	Strainer/Flow Control Assy (Includes items 16 thru 21)(Early Models)	}	Brewers with Strainer Assy only		
	23820.1000	1	Strainer Assy (Includes items 19 thru 21)(Late Models)				
16	01154.0000	1	Flow Control Outlet			}	Early Models only
17	01155.0000	1	Flow Control Gasket				
18	20526.1750	1	Flow Washer & Gasket, .750 GPM (Includes item 16)				
19	-----	1	Body (Not Available order item 14)				
20	23721.0000	1	Screen				
21	22249.0000	1	End Cap, Water Strainer				

(Continued)

\* Indicates the part number listed is for reference only. See DESCRIPTION for possible service replacement.



## STRAINER, SOLENOID & LINES (BREWERS WITHOUT BACKFLOW PREVENTION)

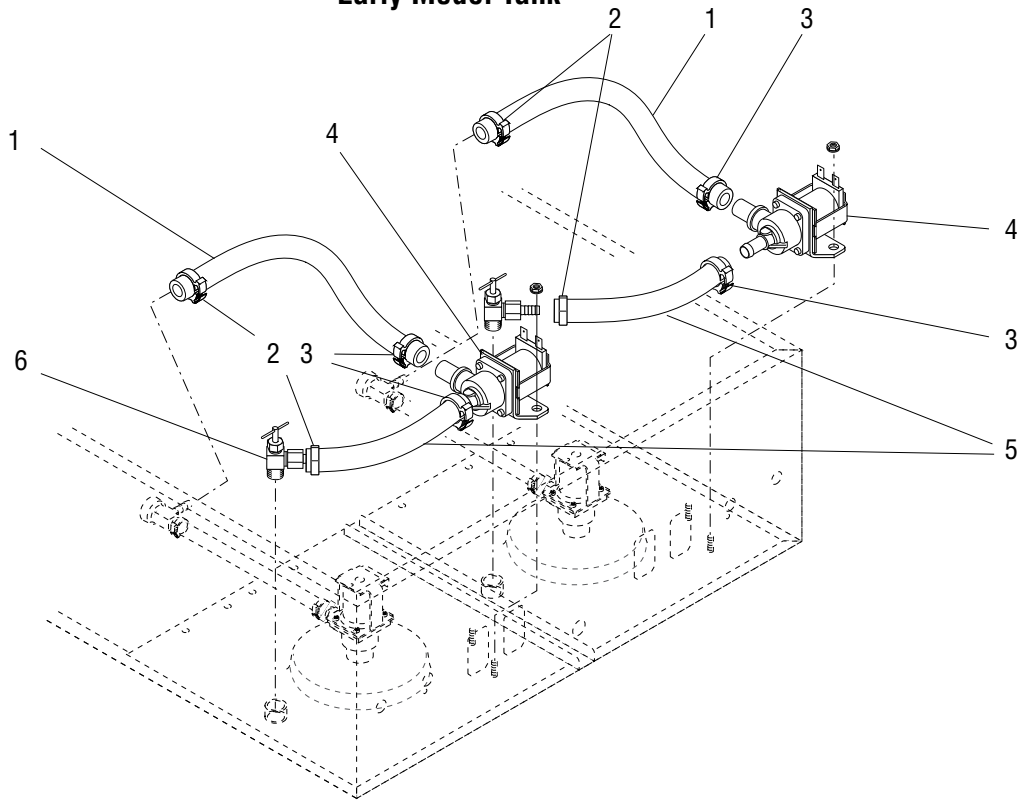
ITEM	PART NO.	QTY.	DESCRIPTION	
22	27083.0000	1	Tube Assy, Bulkhead to Flow Control (Early models)	} Brewers with Strainer Assy only
	38949.0000	1	Tube Assy, Bulkhead to Strainer (Late models)	
23	00463.0000	1	Nut, Hex .438" - 20	
24	01532.0000	1	Lockwasher, Internal Tooth .438" I.D.	
25	00459.0000	1	Bulkhead Fitting, .250" Flare	
26	00472.0001	1	Adapter, Hex .25" FFL x .25" MPT	} 1.75 Gallon Models
27	00473.0001	1	Elbow, Union .25" FPT x .25" FPT	
28	00424.0000	1	Coupling, Quick Female W/Shut-off	
29	00327.0002	1	Hose Assembly	
30	00310.0002	1	Tube Assembly, Bulkhead to Supply	} 1.5 Gallon Models
31	00436.0001	1	Union, .250" Male Flare	
32	00935.0000	1	Cap	} Optional Equipment Not Illustrated
33	32865.0000	1	Hose, Water Inlet	
34	32864.0000	1	Coupling, Water Inlet Hose	
35	M2517.0000	-	Sealant, Pipe 6 ml (Not illustrated)	



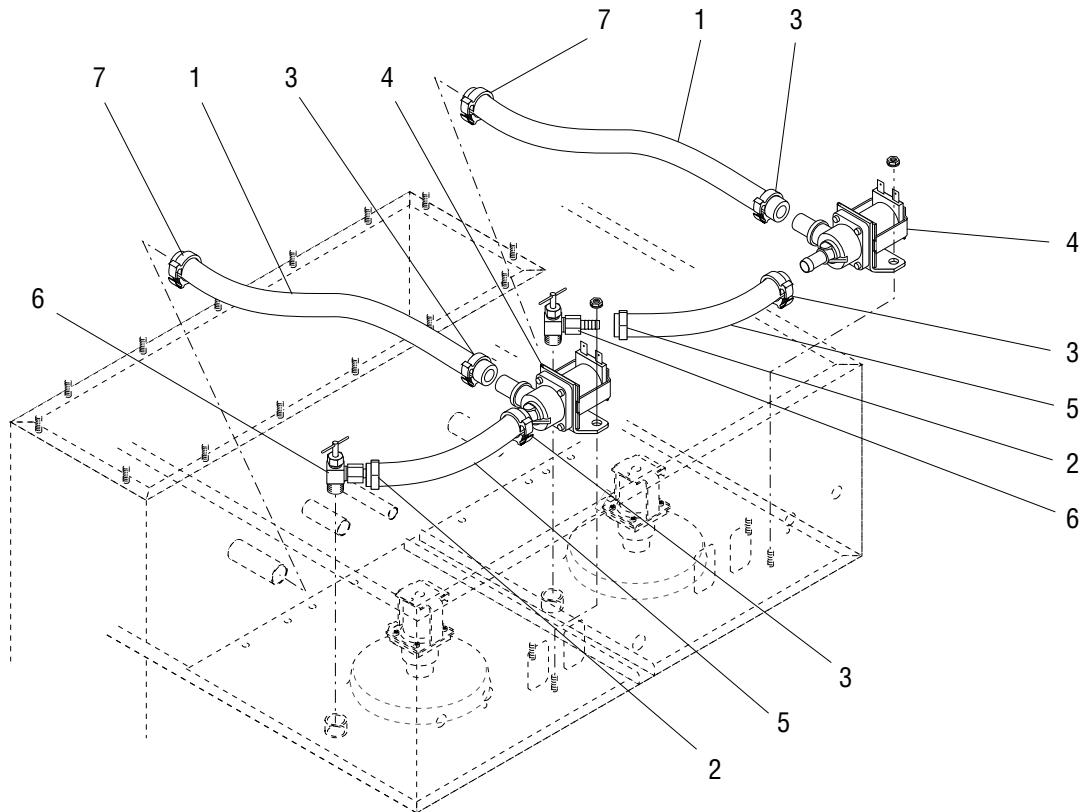
**SOLENOID & LINES  
(BREWERS WITH BACKFLOW PREVENTION)**

ITEM	PART NO.	QTY.	DESCRIPTION
1	20937.0000	1	Tube, Tank Fill
2	20977.1003	1	Hose Assy, Solenoid to Tank
3	00620.0000	1	Clamp, Hose Retaining
	02308.0000	1	Screw, Pan Head #8 - 32 x .375"
4	00950.0000	1	Spacer, Hose Clamp
5	02536.0000	1	Grommet .375" I.D.
6	01171.0001	1	Check Valve
7	24684.0000	2	Gasket
8	24613.0001	2	Adapter, .250" FFL x .125" MPT
9	01085.1007	1	Solenoid Valve Assy, 230V - 1.48" Dia Coil (With Inlet Screen)
	01327.0000	2	Screw, Pan Head #10 - 32 x .375"
	01502.0000	2	Lockwasher, Split #10
10	01100.0000	1	Solenoid Valve Coil, 230V
11	01111.0000	1	Solenoid Valve Repair Kit - 1.50" Dia Coil (Includes Plunger, Seal and Spring)
12	01079.0000	1	Solenoid Valve Base - 1.50" Dia Coil (Without Screen)
13	01116.0000	1	Guide - 1.50" Dia Coil
14	00463.0000	1	Nut, Hex .438" - 20
15	01532.0000	1	Lockwasher, Internal Tooth .438" I.D.
16	00459.0000	1	Bulkhead Fitting .250" Flare
17	00310.0002	1	Tube Assembly, Bulkhead to Supply
18	00436.0001	1	Union .250" Male Flare
19	00935.0000	1	Cap (For shipping purposes only)

**Early Model Tank**



**Late Model Tank**

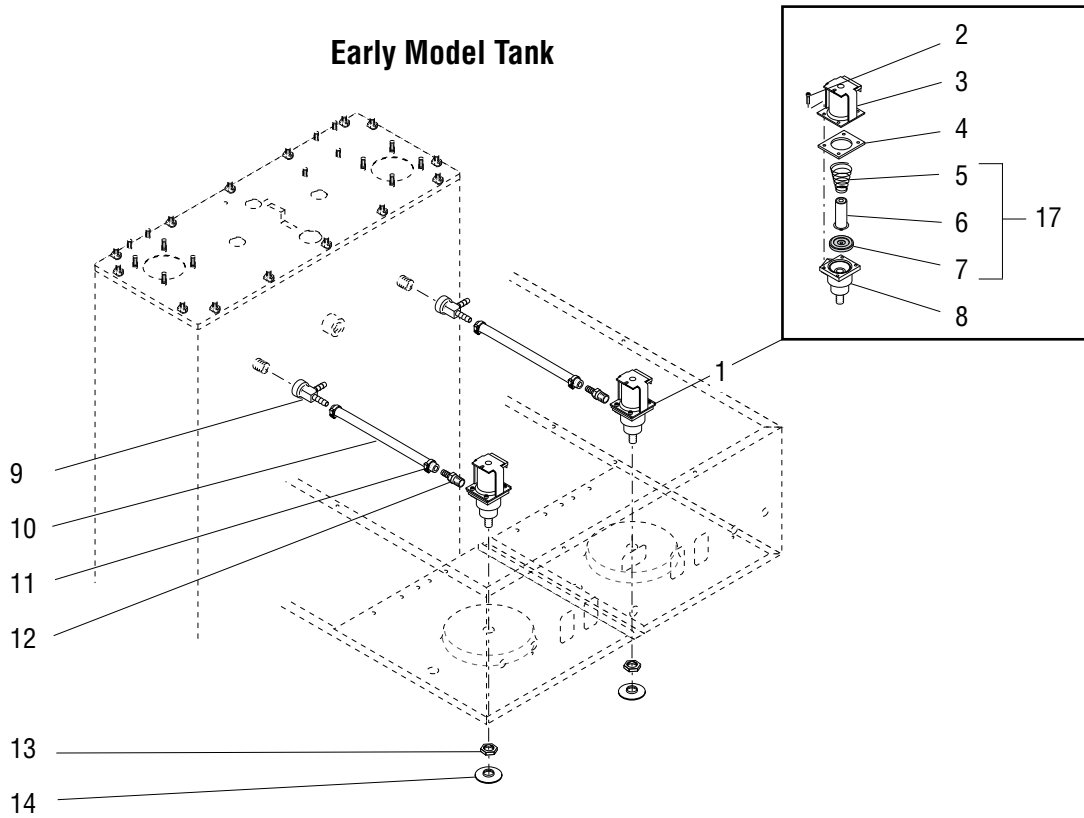


## WATER BY-PASS

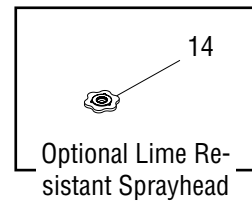
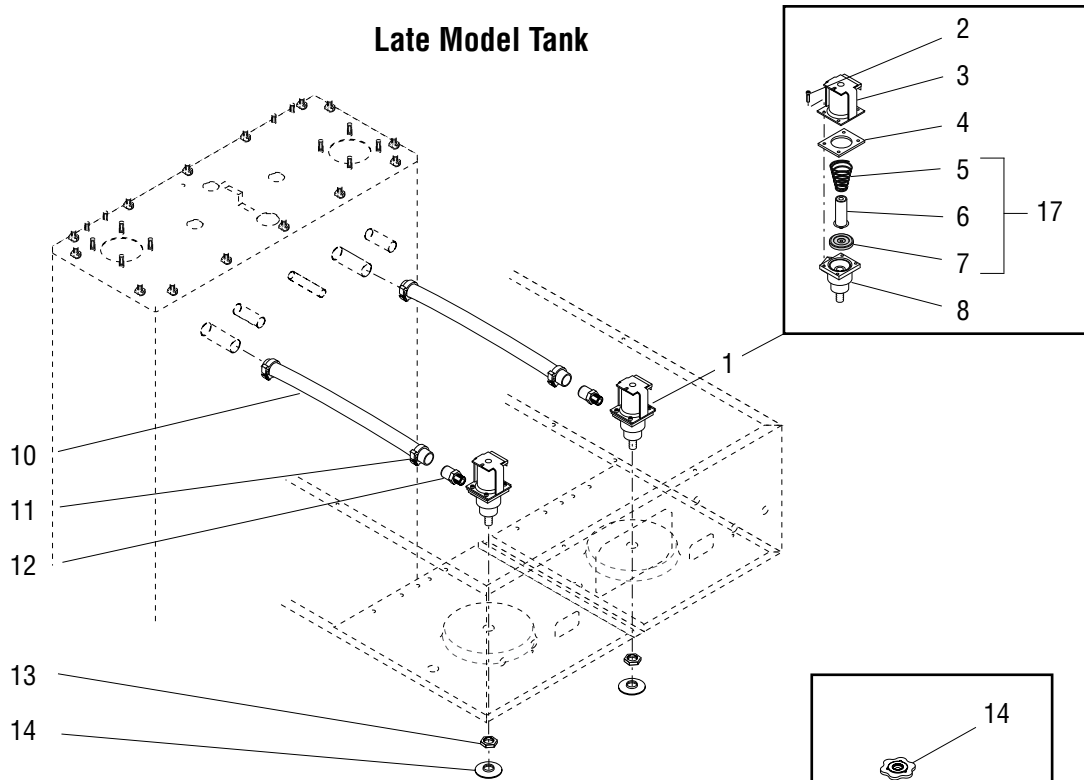
ITEM	PART NO.	QTY.	DESCRIPTION
1	20976.0001*	2	Tube, Silicone .375" I.D. x .62" O.D. x 9.50" (Order item 8) (Early model Tank)
	32591.0007*	2	Tube, Silicone .50" I.D. x 8.75" (Order item 9) (Late model Tank)
2	12422.0001	4	Clamp, Hose .59"/.66" I.D. (2 less used with Late Model Tank)
3	12422.0005	4	Clamp, Hose .61"/.71" I.D.
4	27370.0000	2	Valve Assy, By-Pass 120V
	27370.0002	2	Valve Assy, By-Pass 230V
	00970.0000	4	Nut, Keps #8 - 32
5	20976.0046*	2	Tube, Silicone .375" I.D. x .62" O.D. x 5.0" (Order item 8)
6	20945.1002	2	Valve Assy, Needle By-Pass
7	12422.0009	2	Clamp, Hose .71"/.80" I.D.
8	20976.1000	1	Tube, Silicone .375" I.D. x 12.0"
	20976.1001	1	Tube, Silicone .375" I.D. x 36.0"
	20976.1002	1	Tube, Silicone .375" I.D. x 120.0"
9	32591.1000	-	Tube, Silicone .50" I.D. x 36.0"

} Not illustrated

**Early Model Tank**



**Late Model Tank**



P963.40

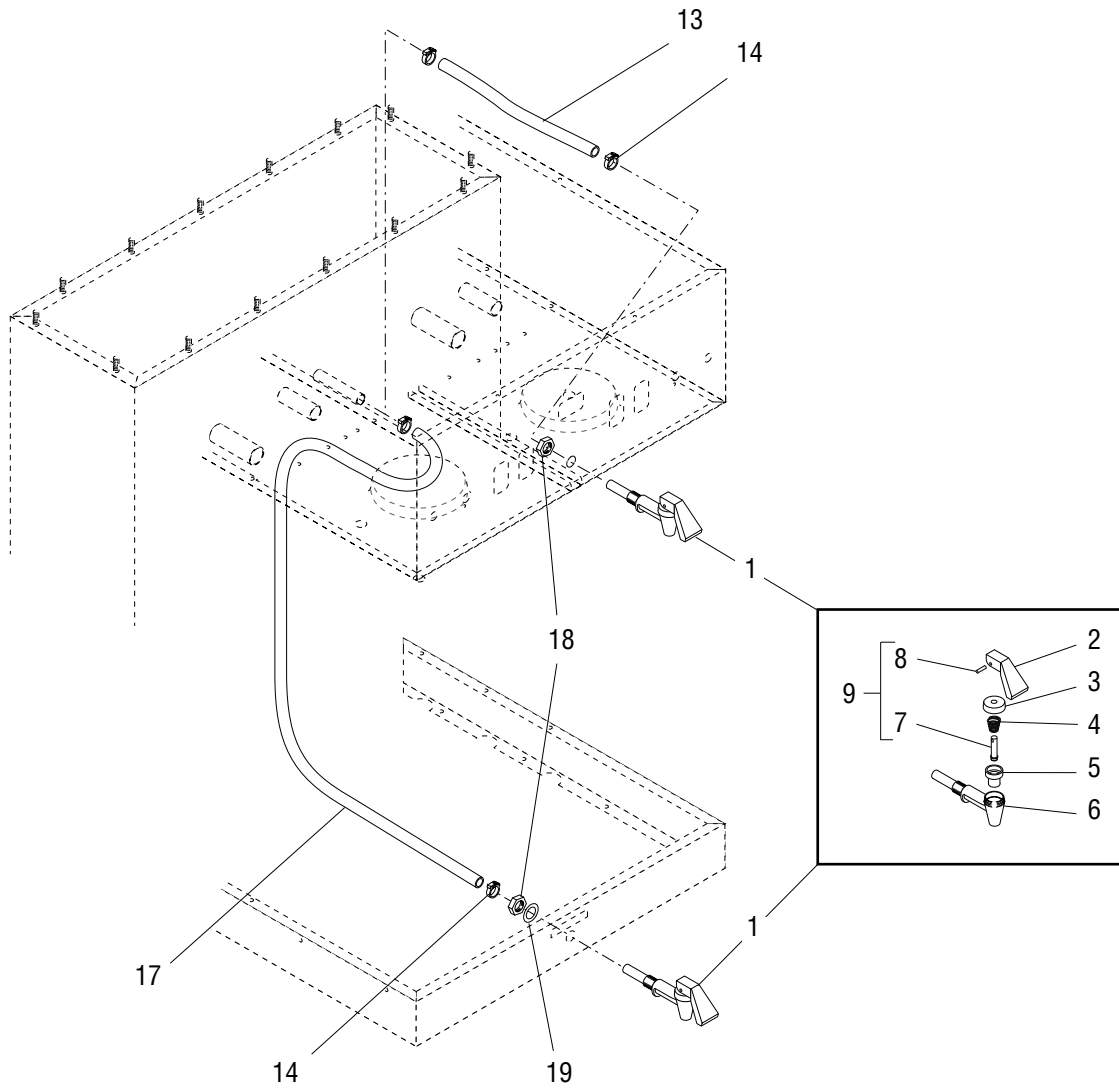
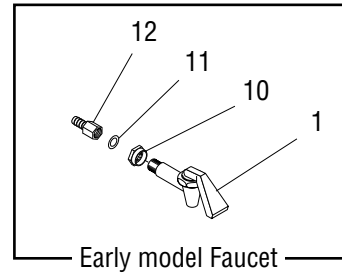
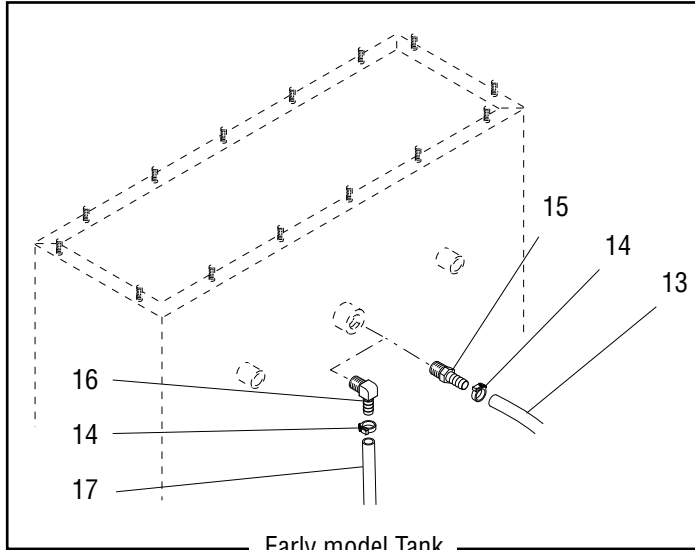


## DISPENSE VALVE & SPRAYHEAD

ITEM	PART NO.	QTY.	DESCRIPTION
1	26846.0000	2	Valve Assy, Sprayhead 120V (Includes items 2 thru 8)
	26846.0002	2	Valve Assy, Sprayhead 240V (Includes items 2 thru 8)
2	23254.0000	4	Screw, #8 - 32
3	22305.0000	1	Coil Assy, Dispensing Valve 120V
	22305.0002	1	Coil Assy, Dispensing Valve 240V
4	23256.0000	1	Spacer Plate
5	-----	1	Spring (Not available order item 17)
6	-----	1	Plunger (Not available order item 17)
7	23255.0000	1	Diaphragm
8	-----	1	Body (Not available order item 1)
9	26924.0000	2	Tee, Run .25" FPT x .38" x .38" Barb (Early model Tank only)
10	20976.0006*	2	Tube, Silicone .38" I.D. x 4.5" (Order item 15) (Early model Tank)
	35052.0001*	2	Tube, Silicone .75" I.D. x 6.75" (Order item 16) (Late model Tank)
11	12422.0001	4	Clamp, Hose .59"/.66" I. D. (Early model Tank)
	12422.0008	4	Clamp, Hose .93"/1.1" I.D. (Late model Tank)
12	21136.0001	2	Fitting, Barb .375" x .25" MPT (Early model Tank)
	34956.0001	2	Fitting, .25" NPTF .281" I.D.
	34956.0000	2	Fitting, .25" NPTF .344" I.D. (230/400V models) } Late model Tank
13	01075.0000	2	Nut, Hex .438" - 20
14	01082.0002	2	Sprayhead, 6 Hole
	40670.0005	2	Sprayhead, 7 Hole Lime Resistant (Optional)
15	20976.1000	1	Tube, Silicone .375" I.D. x 12.0"
	20976.1001	1	Tube, Silicone .375" I.D. x 36.0"
	20976.1002	1	Tube, Silicone .375" I.D. x 120.0"
16	35052.1000	1	Tube, Silicone .75" I.D. x 12.0"
17	11517.0008	-	Valve Repair Kit (Includes one each of items 5, 6 & 7) }

Not illustrated

\* Indicates the part number listed is for reference only. See DESCRIPTION for possible service replacement.

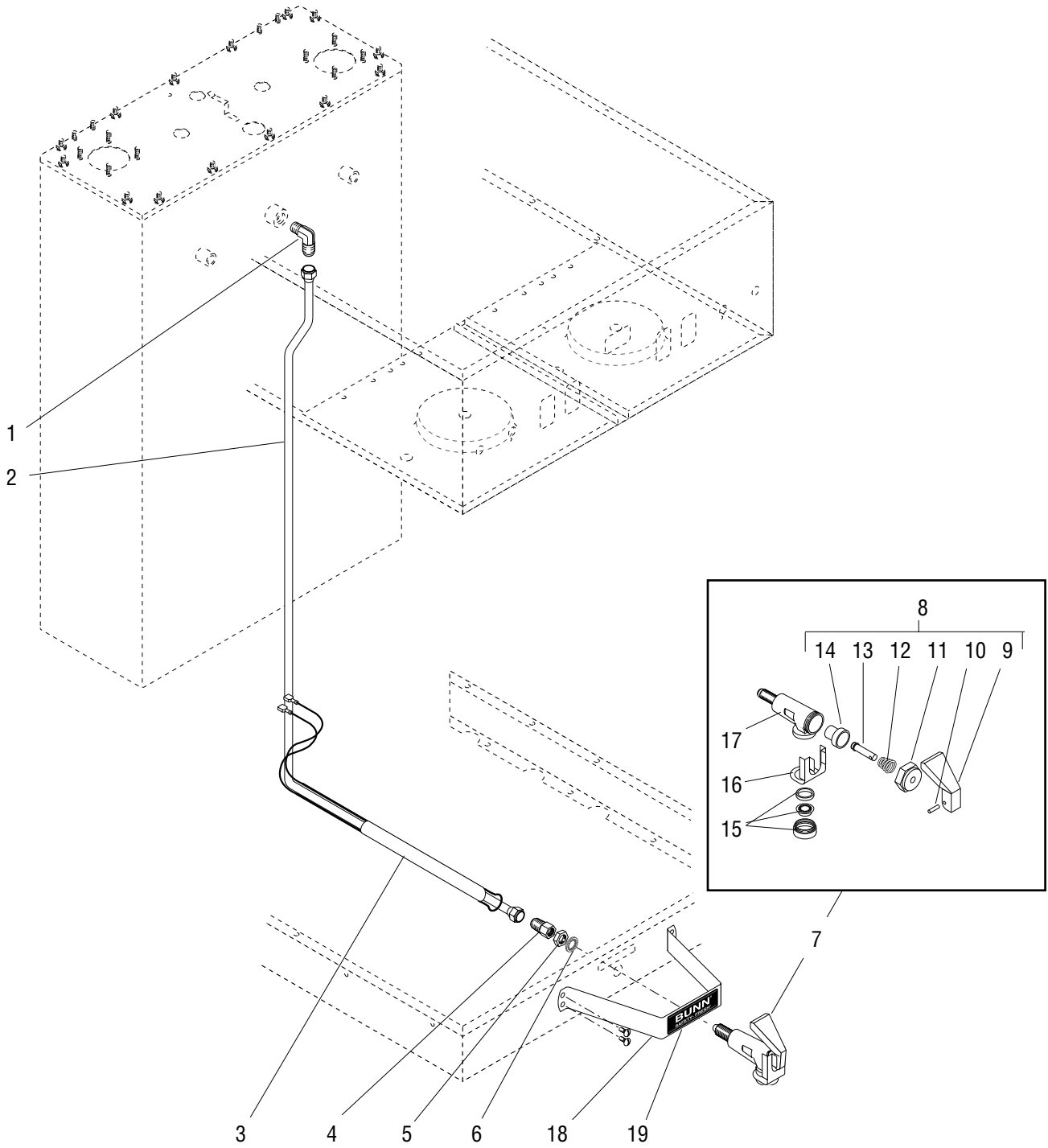


**Only one Faucet location option (Upper or Lower) is applicable to each Brewer**

## FAUCET (Without Tube Warmer)

ITEM	PART NO.	QTY.	DESCRIPTION	
1	02596.1005	1	Faucet Assy (Includes items 2 thru 8) (Early models)	
	29075.0000	1	Faucet Assy (Includes items 2 thru 8) (Late models)	
2	02861.0003	1	Handle, Faucet "Warning Hot Water"	
3	02854.0000	1	Bonnet, Faucet	
4	02595.0000	1	Spring, Faucet	
5	02766.0000	1	Seat Cup, Faucet	
6	02856.0002	1	Body, Faucet	
7	13054.0000	1	Stem, Faucet	
8	02858.0000	1	Pin, Spring .125" Dia. x .50"	
9	02594.0000	1	Faucet Stem W/Pin (Includes items 7 & 8)	
10	02850.0000	1	Jam Nut, Faucet (Early models)	
11	27574.0000	1	Washer, Sealing (Early models)	
12	12437.0000	1	Adapter, Barb (Early models)	
13	20976.0003*	1	Tube, Silicone .38" I.D. x 10.50" (Order item 20) (Early model Tank)	} Upper Faucet models only
	20976.0059*	1	Tube, Silicone .38" I.D. x 11.75" (Order item 20) (Late model Tank)	
14	12422.0001	2	Clamp, Hose .59" x .66" I.D.	
15	21136.0001	1	Fitting, Barb .375" x .25" MPT (Early model Tank only)	
16	20202.1601	1	Elbow, 90° .375" Barb x .25" MPT (Early model Tank only)	
17	20976.0036*	1	Tube, Silicone .38" I.D. x 38.0" (Order item 20) (Early model Tank)	} Lower Faucet models only
	20976.0066*	1	Tube, Silicone .38" I.D. x 48.0" (Order item 20) (Late model Tank)	
18	29264.0000	1	Nut, Faucet Retaining	
19	01544.0000	1	Washer, .50" I.D. x .75" O.D.	
20	20976.1000	1	Tube, Silicone .38" I.D. x 12.0"	} Not Illustrated
	20976.1001	1	Tube, Silicone .38" I.D. x 36.0"	
	20976.1002	1	Tube, Silicone .38" I.D. x 120.0"	
21	28706.0002	-	Faucet Kit (Includes items 2,4,5,7 & 8)	
22	M2517.0000	-	Sealant, Pipe 6 ml	

\* Indicates the part number listed is for reference only. See DESCRIPTION for possible service replacement.



## FAUCET (With Tube Warmer)

ITEM	PART NO.	QTY.	DESCRIPTION
1	22029.0001	1	Elbow
2	34288.0000	1	Tube
3	32332.0000	1	Heater, Tube
4	12464.0001	1	Reducer
5	13059.0000	1	Nut, Jam
6	01532.0000	1	Lockwasher
7	12915.0000	1	Faucet, Hot Water (Includes items 8 thru 17)
8	13061.0000	1	Faucet Handle/Stem Assembly (Includes items 9 thru 14)
9	13053.0000	1	Faucet Handle Kit (Includes item 10)
10	02858.0000	1	Pin, Spring .125" Dia x .50"
11	13060.0000	1	Faucet Bonnet Nut
12	13055.0000	1	Faucet Spring
13	13054.0000	1	Faucet Stem
14	13056.0000	1	Faucet Seat Cup
15	13057.0000	1	Faucet Safety Clip
16	13058.0000	1	Faucet Aerator Kit
17	-----	1	Body, Faucet (Not available. Order item 7)
18	22206.0000	1	Guard w/Decals, Faucet (Includes item 19)
	02329.0002	4	Screw, Locking BLK #8-32 x .312"
19	20968.0000	1	Decal, Safety

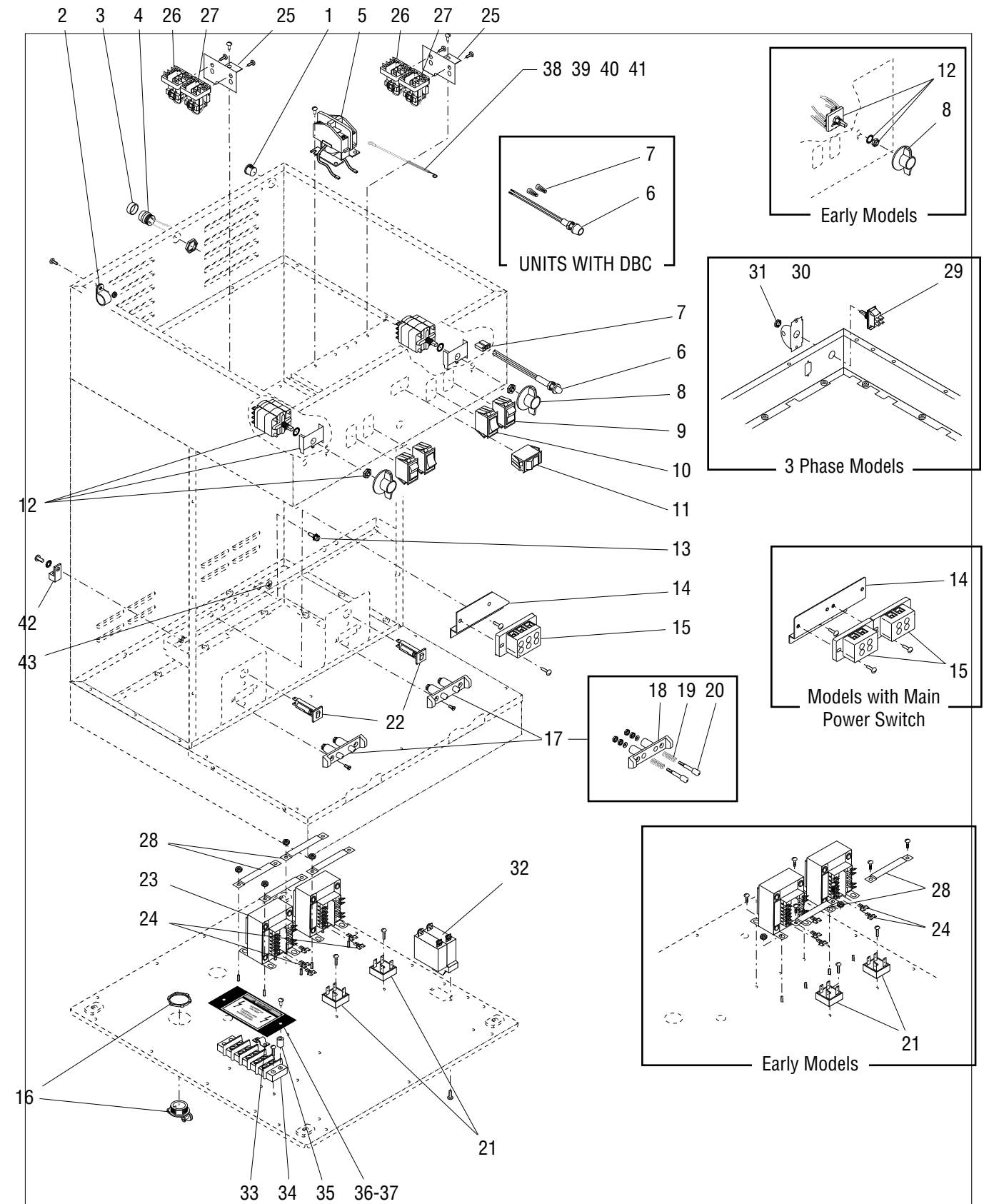


## ELECTRICAL CONTROLS AND READY LIGHT

ITEM	PART NO.	QTY.	DESCRIPTION
1	00669.0000	2	Plug, Hole
2	05920.0000	1	Clamp, Cable .250" I.D.
	01382.0000	1	Screw, Truss Head #6 - 32 x .375"
	00973.0000	1	Nut, Keps #6 - 32
3	27657.0000	1	Cap, Dust
4	12274.0002	1	Socket Assy W/Leads, Interface
5	06335.1000	1	Contactor Assy (120/208V)
	27943.1001	1	Contactor Assy (240V CE) (Includes items 38 thru 41) (Early 230V models W/Thermal Cut-off Fuse)
	37907.0001	1	Contactor Assy (240V CE) (Late 230V models W/Limit Thermostat)
	38045.0000	1	Contactor Assy 3 Pole (208/240V) (3 Phase models)
	02308.0000	2	Screw, Pan Head #8 - 32 x .375"
6	12984.0002	1	Light Assy, 120V (Includes 2 of item 7)
	27691.0001	1	Light Assy, 230V (Includes 2 of item 7)
	00764.0000	1	Plug, Hole (Not illustrated) (DBC)
	12517.0002	1	LED Kit (Includes item 7) (DBC)
	25292.0000	1	Lockwasher M6
	34130.0000	1	Nut M6
7	04243.0000	4	Terminal Housing, Receptacle
	01570.0000	2	Wire Nut (DBC)
8	12246.0000	2	Knob, Rotary Switch (Includes Setscrew Indented Below)
	02338.0000	2	Setscrew, Locking #8 - 32 x .25"
9	02753.0000	2	Switch, On/Off 120V
	28305.0000	2	Switch, On/Off 230V
10	02628.0000	2	Switch, Momentary - Start (120V)(Prior to S.N. DUAL026000)
	02628.0001	2	Switch, Momentary - Start (120V)(DBC)(After S.N. DUAL026000 on Std. Dual SH)
	28303.0001	2	Switch, Momentary - Start (230V)
11	05789.0000	1	Switch, Selector (120/208 & 120/240V models prior to 09/29/06)
	39178.0000	1	Switch, Selector (120/208 & 120/240V models after 09/29/06)
	28304.0000	1	Switch, Selector (230V)
12	20969.0001*	2	Switch Assy, Rotary (120/208 & 120/240V models prior to 09/29/06) (Not available. Order 39053.1001)
	28302.1000	2	Switch Assy, Rotary (230V models and all other models after 09/29/06)
	20969.0004*	2	Switch Assy, Rotary (DBC models) (Not available. Order 39053.1004)
13	01309.0000	1	Ground Screw W/Terminal Washer #10 - 32 x .50"
14	21120.0000	1	Bracket, Terminal Block Mounting
	39248.0000	1	Bracket, Terminal Block Mounting (Models with Main Power Switch)
	02308.0000	2	Screw, Pan Head #8 - 32 x .375"
15	07038.0000	1	Terminal Block, 3 Pole (BLK/RED/WHI)
	01106.0001	1	Terminal Block, 2 Pole (BLK/RED)
	01106.0003	1	Terminal Block, 2 Pole (BLU/BRN)
	01317.0000	2	Screw, Truss Head #8 - 32 x .50"
	21869.0000	1	Terminal Block, 4 Pole 400/230V
	38030.0000	2	Screw, Fil Head #8-32 x 1.25"
16	01590.0000	1	Connector, Cable

(Continued)

\* Indicates the part number listed is for reference only. See DESCRIPTION for possible service replacement.



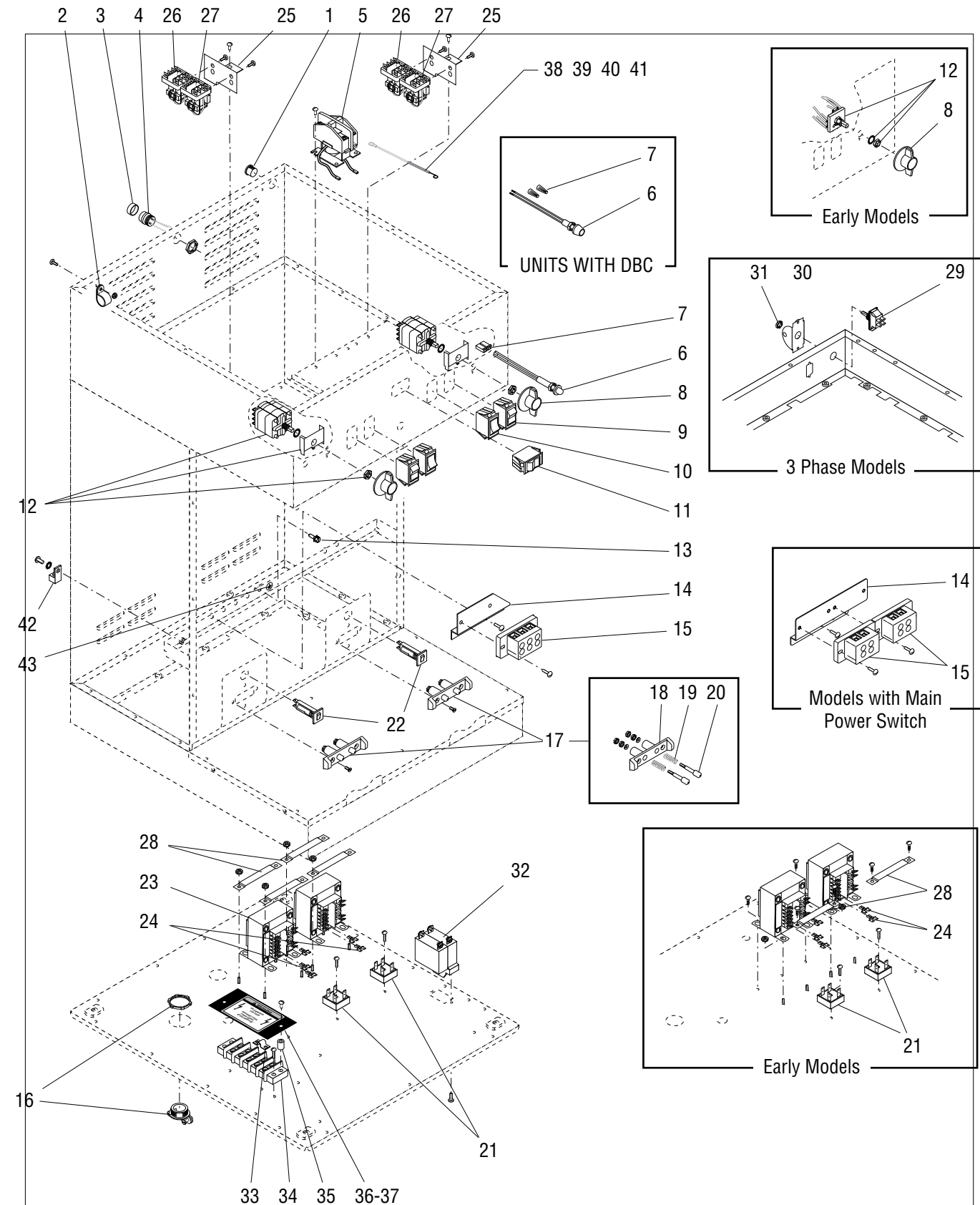


## ELECTRICAL CONTROLS AND READY LIGHT

ITEM	PART NO.	QTY.	DESCRIPTION	
17	27790.1000	2	Receptacle Assembly, Spring Contact (Includes items 18, 19 & 20)	
	20608.0000	4	Screw, Flat Head #6-32 x .375" SST Black	
18	27746.0000	1	Housing, Spring Contact	
19	27788.0000	2	Spring	
20	27748.0000	2	Pin, Contact	
	01521.0000	2	Washer, Flat	
	00973.0000	4	Nut, Keps #6-32 - Zinc Pl	
21	22126.0000	2	Rectifier	
	02367.0000	2	Screw, Truss Head #6-32 x .625"	
22	27181.0001	2	Circuit Breaker, 4 amp	
23	27253.0001	2	Transformer, 80VA (120V)	
	29179.0001	2	Transformer, 115/230V	
	01347.0000	4	Screw, Truss Head #6-32 x .375"	
	00973.0000	4	Nut, Keps #6-32	
24	26722.0000	5	Adapter, Spade	
25	28234.0000	2	Bracket, Relay Mounting (Prior to S.N. DUAL026000)	
26	02618.1000	2	Relay, Recovery Booster	} Optional
	01347.0000	2	Screw, Truss Head #6-32 x .375"	
27	03052.0001	2	Relay, Soft Heat	} (Prior to S.N. DUAL026000)
	01347.0000	2	Screw, Truss Head #6-32 x .375"	
28	28264.0000	4	Strap, Transformer Holddown (only 2 used on early models)	
	01347.0000	4	Screw, Truss Head #6-32 x .375" (Early models)	
	00970.0000	8	Nut, Keps #8-32 (Late models)	
29	28004.0001	1	Switch, Toogle SPST On/Off	} 230/400V 3 Phase models
30	25102.0000	1	Bracket, Switch Indicator/Guard	
31	23696.0000	1	Facenut, Hex .469" - 32	
32	38894.0001	1	Switch, Main Power (Not used on all models)	
	01308.0002	2	Screw, Truss Head #6-32 x .25" (Switch Mounting)	
	01327.0000	4	Screw, Pan Head #10-32 x .375"	
	01512.0000	4	Lockwasher, External Tooth #10	
33	38039.0000	1	Jumper	} 230/400V 3 Phase models
34	28177.0001	1	Terminal Block, 5 Pole	
	02367.0000	2	Screw, Truss Head #6-32 x .62"	
35	01533.0006	2	Spacer, Nylon .375" OD x .19" ID x .625"	
36	37961.0000	1	Shield, Insulating	} Early 230 models
37	12559.0003	1	Decal, Warning "Hazardous Voltage"	
38	27945.0001	1	Thermal Cut-Off W/Lead, BLK 12.0"	
39	27945.0003	1	Thermal Cut-Off W/Lead, RED 12.0"	
40	27945.0006	1	Thermal Cut-Off W/Lead, BLK 20.0"	
41	27945.0007	1	Thermal Cut-Off W/Lead, RED 30.0"	

(Continued)

\* Indicates the part number listed is for reference only. See DESCRIPTION for possible service replacement.

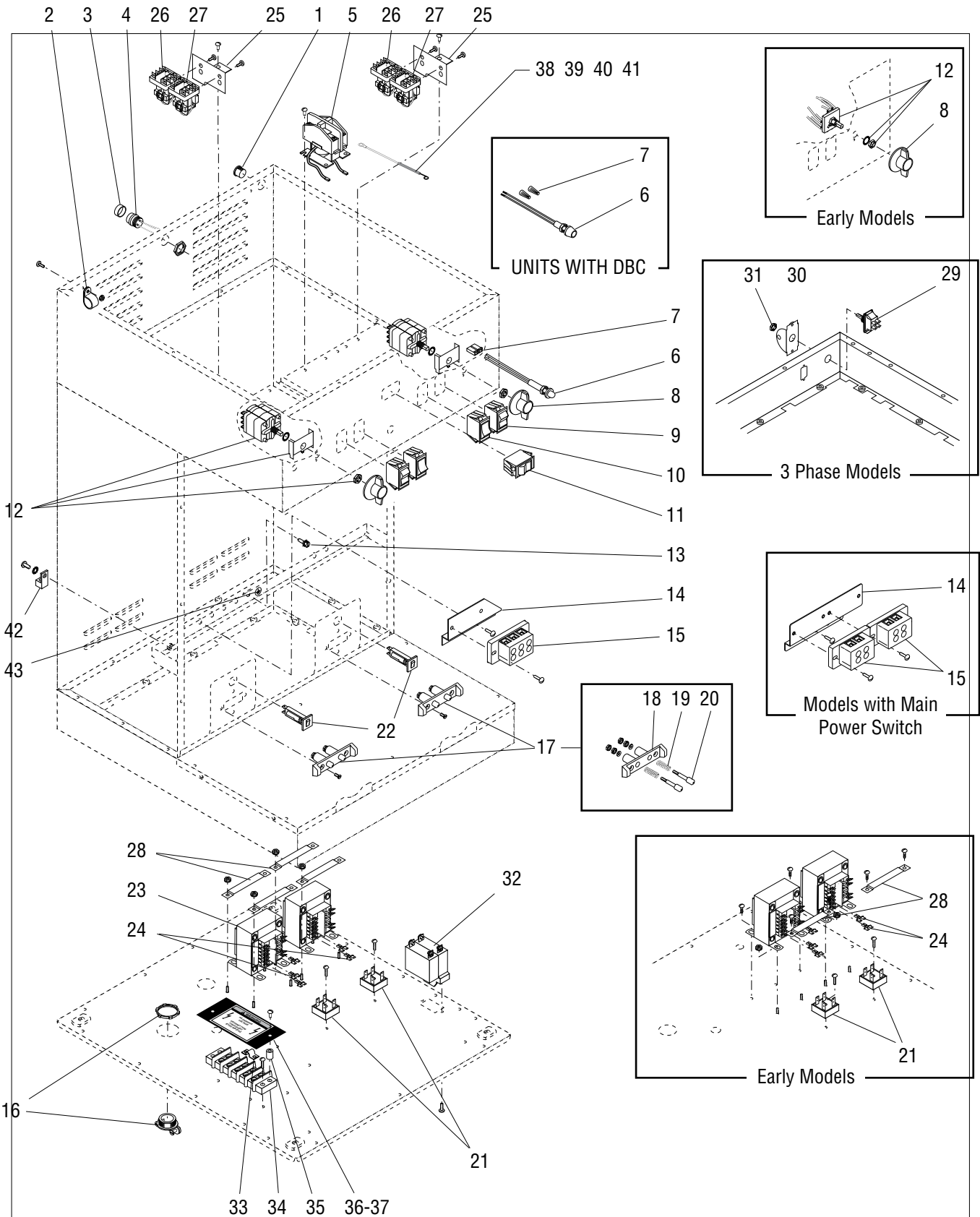


## ELECTRICAL CONTROLS AND READY LIGHT

ITEM	PART NO.	QTY.	DESCRIPTION	
42	27705.0000	1	Terminal Lug (230V)	
43	00824.0002	1	Decal, Ground	
Note: The following items are not illustrated				
44	00603.0000	1	Clamp, .438" I.D.	
45	26858.0000	1	Cord, Power (1.75 Gallon Models)	
46	28190.0001	1	Wiring Harness, Main (120/208V & 120/240V)	Models with 2 Ready Lights
	29444.0000	1	Wiring Harness, Main (230V CE) (Brewer model #27900.0006, #27900.0016, #27900.0037)	
	29444.0001	1	Wiring Harness, Main (230V CE) (Brewer model #27900.0035)	
	29444.0002	1	Wiring Harness, Main (230V CE) (Brewer model #27900.0027)	
	37861.0000	1	Wiring Harness, Main (230/400V 3 Phase)	
	28190.0002	1	Wiring Harness, Main (120/208V & 120/240V)	
	29444.0007	1	Wiring Harness, Main (230V CE) Brewer model #27900.0006, #27900.0016, #27900.0037)	Models with 1 Ready Light
	29444.0005	1	Wiring Harness, Main (230V CE) Brewer model #27900.0027)	
	29444.0008	1	Wiring Harness, Main (230V CE) Brewer model #27900.0035)	
	37861.0003	1	Wiring Harness, Main (230/400V 3 Phase)	
47	26810.0000	2	Wiring Harness, 1-set (Models with 1 batch option only)	
48	23904.0000	1	Wiring Harness, Interface Switch (120V)	
	23904.0001	1	Wiring Harness, Interface Switch (230V & 230/400V 3 Phase)	
49	27791.0001	1	Wiring Harness, Server Contacts (Left)(120V)	
	27791.0002	1	Wiring Harness, Server Contacts (Right)(120V)	
	27791.0004	1	Wiring Harness, Server Contacts (Left)(230V & 230/400V 3 Phase)	
	27791.0005	1	Wiring Harness, Server Contacts (Right)(230V & 230/400V 3 Phase)	
50	28058.0000	1	Wiring Harness, Right Relay	} (Prior to S.N. DUAL026000)
51	28058.0001	1	Wiring Harness, Left Relay	
52	29162.0000	1	Wiring Harness, Switch/Transformer (DBC) (After S.N. DUAL026000 on Standard Dual SH)	
53	25645.0002	1	Wiring Harness, Signal	} Brewers with DBC
54	25646.0002	1	Wiring Harness, Power	
55	34464.0000	1	Wiring Harness, Faucet Tube Warmer	
56	46437.0000	2	Wiring Harness, Contactor (230V models W/Limit Thermostat)	
57	37862.0000	1	Wiring Harness, Contactor to Limit	} 230/400V 3 Phase models
58	37863.0000	1	Wiring Harness, Contactor to Heater	
59	37859.0000	1	Wiring Harness, Terminal Block/EMI Filter	
60	38575.0000	1	Wiring Harness, ON/OFF Switch	
61	28318.0000	2	Wiring Harness, Rotary Switch (230V models and all other models after 09/29/06)	
	39053.0004	2	Wiring Harness, Rotary Switch (DBC Models)	
62	37859.0005	1	Wiring Harness, Main Power Switch	
63	21012.0006	1	Lead, Elect. RED 30.0" (Contactor to Left Heater)	
64	21012.0007	1	Lead, Elect. RED 12.0" (Contactor to Right Heater)	

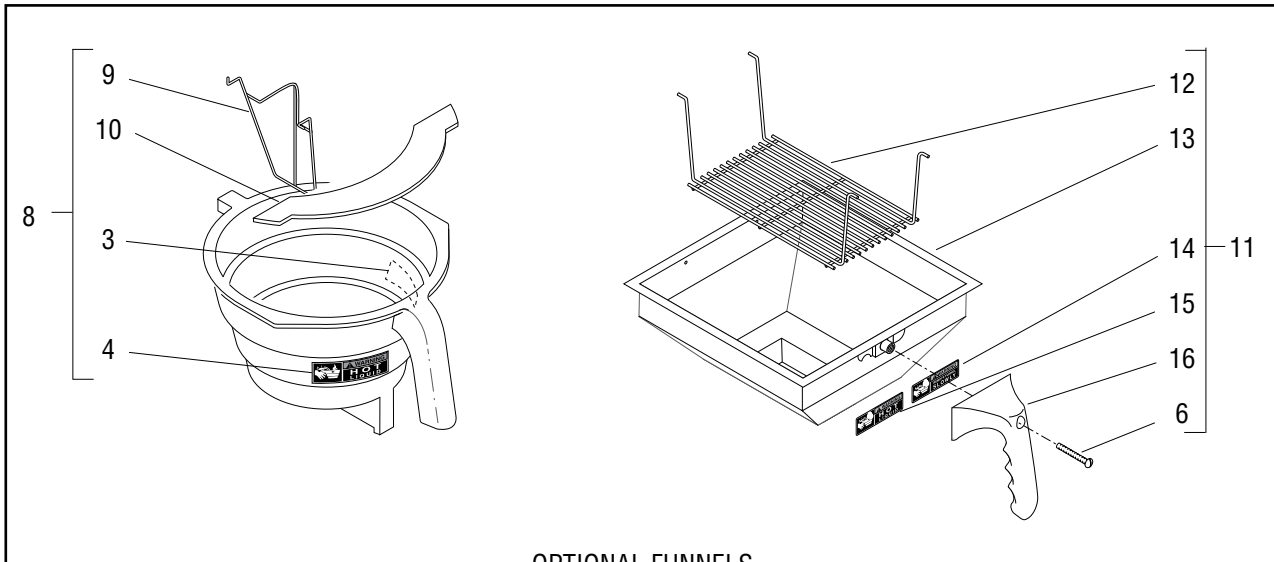
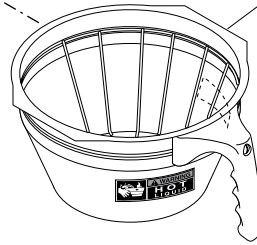
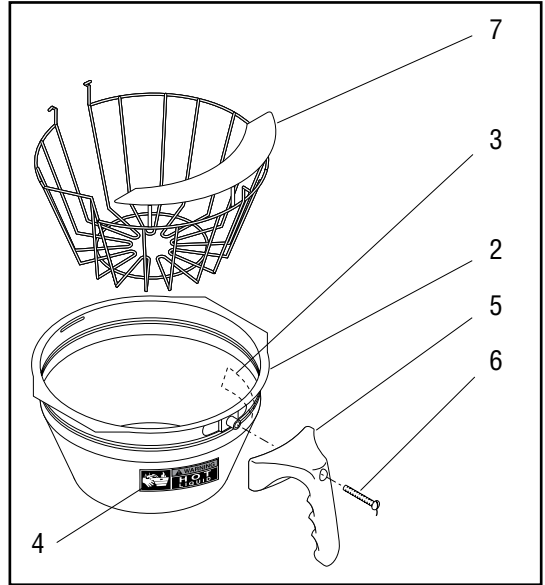
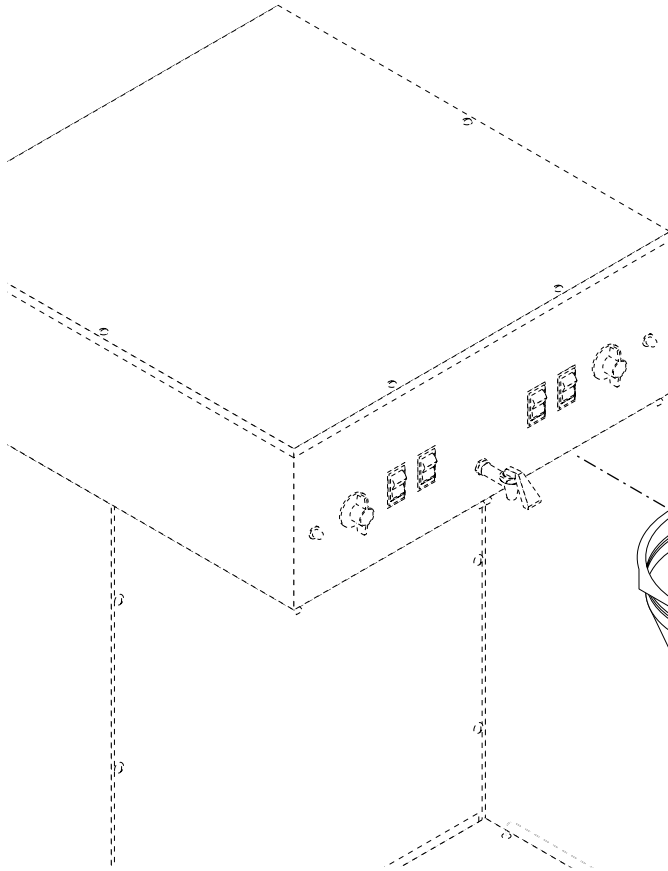
(Continued)

\* Indicates the part number listed is for reference only. See DESCRIPTION for possible service replacement.



## ELECTRICAL CONTROLS AND READY LIGHT

ITEM	PART NO.	QTY.	DESCRIPTION	
65	21012.0008	1	Lead, Elect. BLK 18.0" (Contactor to Left Heater)	Brewers W/Recovery Booster
66	21012.0009	1	Lead, Elect. BLK 18.0" (Contactor to Right Heater)	
67	21005.0349	1	Lead, Elect. WHI/GRN 10.0" (Right Relay to Right Dispense Valve)	Brewers W/Recovery Booster
68	21005.0350	1	Lead, Elect. WHI/VIO 12.0" (Right Relay to Right Dispense Valve)	
69	21005.0351	1	Lead, Elect.. WHI/RED 12.0" (Left Relay to Left Dispense Valve)	
70	21005.0621	1	Lead, Elect. WHI/BRN 8.0" (Left Relay to Left Dispense Valve)	
71	21003.0045	1	Lead, Elect. RED 18.0" (Relay to Relay)	Brewers W/Recovery Booster
72	22042.0000	1	Lead, Elect. BLU 9.0"	
73	22043.0000	1	Lead, Elect. BLK 30.0"	
74	00617.0000	1	Tie, Cable 3.90" LG	



OPTIONAL FUNNELS

## FUNNEL

ITEM	PART NO.	QTY.	DESCRIPTION
1	20201.1201	2	Funnel Assy, SST (Includes Items 2 thru 7)
2	24462.0002	1	Funnel W/Decals (Includes items 3 & 4)
3	03408.0004	1	Decal, Caution-Remove Funnel
4	03409.0004	1	Decal, Caution-Hot Liquid
5	20201.1100	1	Handle, Funnel-Black
6	12499.0002	1	Screw, Round Head .25" - 20 x 1.50"
7	-----	1	Filter Basket (First Type. Not available, order Second Type)
	33089.0000	1	Filter Basket w/Splash Guard (Second Type)
8	22735.0001	1	Funnel Assy, Plastic - Smoke (Includes items 3, 4, 9 & 10)
	22735.0000	1	Funnel Assy, Plastic - Black (Includes items 3, 4, 9 & 10)
9	21911.0000	1	Funnel Adapter, Water By-Pass
10	32965.0000	1	Splash Guard
11	29911.0000	1	Funnel Assy, Pouch Pack (Includes items 6 & 12 thru 16)
12	29916.0000	1	Wire Form Insert
13	29914.0000	1	Funnel W/Decals (Includes items 14 & 15)
14	03408.0002	1	Decal, Warning-Remove Funnel
15	03409.0002	1	Decal, Warning-Hot Liquid
16	29915.0000	1	Handle, Pouch Pack Funnel

## NUMERICAL INDEX

PART NO.	PAGE NO.	PART NO.	PAGE NO.	PART NO.	PAGE NO.	PART NO.	PAGE NO.
00310.0002.....	19,21	01388.0000.....	9,11	07074.1028.....	9	20937.0000.....	17,21
00327.0002.....	19	01501.0000.....	13	07074.1033.....	9	20945.1002.....	23
00400.0001.....	17	01502.0000.....	17,21	07075.0000.....	11	20948.0000.....	9
00402.0001.....	17	01510.0000.....	9	07441.0000.....	11	20948.0001.....	9,11
00424.0000.....	19	01511.0000.....	9	11517.0008.....	25	20951.1000.....	15
00436.0001.....	19,21	01512.0000.....	33	11591.0000.....	7	20966.0009.....	5
00459.0000.....	19,21	01519.0000.....	17	11630.0001.....	15	20966.0023.....	5
00463.0000.....	19,21	01520.0000.....	13	12246.0000.....	31	20968.0000.....	29
00472.0001.....	19	01521.0000.....	33	12249.0001.....	7	20969.0001.....	31
00473.0001.....	19	01532.0000.....	19,21,29	12274.0002.....	31	20969.0004.....	31
00603.0000.....	35	01533.0000.....	9,11	12398.0002.....	13	20976.0001.....	23
00617.0000.....	37	01533.0006.....	33	12422.0000.....	13	20976.0003.....	27
00619.0007.....	7	01544.0000.....	27	12422.0001.....	23,25,27	20976.0006.....	25
00620.0000.....	17,21	01570.0000.....	31	12422.0005.....	23	20976.0036.....	27
00656.0001.....	5	01590.0000.....	31	12422.0008.....	25	20976.0046.....	23
00658.0000.....	5	01667.0000.....	11	12422.0009.....	15,23	20976.0059.....	27
00669.0000.....	31	02308.0000.....		12437.0000.....	27	20976.0066.....	27
00669.0002.....	7	.....	5,7,9,11,15,17,21,31	12464.0001.....	29	20976.1000.....	23,25,27
00720.0000.....	9	02328.0003.....	11,13	12499.0002.....	39	20976.1001.....	23,25,27
00764.0000.....	31	02329.0000.....	17	12517.0002.....	31	20976.1002.....	23,25,27
00824.0002.....	37	02329.0002.....	29	12527.0008.....	13	20977.1000.....	17
00831.0000.....	5	02336.0000.....	5	12559.0003.....	33	20977.1003.....	21
00908.0000.....	13,15	02338.0000.....	31	12561.0000.....	13	21003.0045.....	37
00916.0000.....	5	02367.0000.....	33	12565.0008.....	13	21005.0349.....	37
00935.0000.....	19,21	02536.0000.....	13,17,21	12568.0003.....	11	21005.0350.....	37
00946.0000.....	13	02594.0000.....	27	12570.0000.....	11	21005.0351.....	37
00950.0000.....	17,21	02595.0000.....	27	12915.0000.....	29	21005.0621.....	37
00970.0000.....	7,11,23,33	02596.1005.....	27	12919.0008.....	9	21012.0006.....	35
00971.0000.....	13,15	02618.1000.....	33	12984.0002.....	31	21012.0007.....	35
00973.0000.....	11,31,33	02628.0000.....	31	13053.0000.....	29	21012.0008.....	35
01075.0000.....	25	02628.0001.....	31	13054.0000.....	27,29	21012.0009.....	35
01079.0000.....	17,21	02753.0000.....	31	13055.0000.....	29	21120.0000.....	31
01082.0002.....	25	02766.0000.....	27	13056.0000.....	29	21136.0001.....	25,27
01085.0002.....	17	02850.0000.....	27	13057.0000.....	29	21180.0000.....	17
01085.0007.....	17	02854.0000.....	27	13058.0000.....	29	21181.0000.....	17
01085.1006.....	17	02856.0002.....	27	13059.0000.....	29	21537.0001.....	7
01085.1007.....	21	02858.0000.....	27,27	13060.0000.....	29	21537.0003.....	7
01100.0000.....	17,21	03052.0001.....	33	13061.0000.....	29	21801.0002.....	13
01101.0000.....	17	03236.1001.....	13	13255.0003.....	7	21869.0000.....	31
01106.0001.....	31	03236.1002.....	13	20201.1100.....	39	21911.0000.....	39
01106.0003.....	31	03236.1003.....	13	20201.1201.....	39	22029.0001.....	29
01111.0000.....	17,21	03408.0002.....	39	20201.4301.....	17	22042.0000.....	37
01111.0002.....	17	03408.0004.....	39	20201.5600.....	5	22043.0000.....	37
01116.0000.....	17,21	03409.0002.....	39	20202.1601.....	27	22126.0000.....	33
01154.0000.....	17	03409.0004.....	39	20203.0100.....	13	22206.0000.....	29
01155.0000.....	17	03633.0000.....	13	20526.1750.....	17	22249.0000.....	17
01171.0001.....	21	03803.0002.....	13	20608.0000.....	33	22300.0750.....	17
01308.0002.....	33	03807.0000.....	13	20762.0000.....	9	22305.0000.....	25
01309.0000.....	31	03996.0000.....	7	20878.1006.....	15	22305.0002.....	25
01315.0000.....	17	04243.0000.....	31	20878.1008.....	15	22306.0001.....	7
01317.0000.....	31	04314.0007.....	9	20881.0000.....	15	22728.0000.....	13
01327.0000.....	17,21,33	05789.0000.....	31	20883.0000.....	15	22735.0000.....	39
01347.0000.....	7,9,11,33	05920.0000.....	31	20921.1004.....	5	22735.0001.....	39
01347.0002.....	7	06335.1000.....	31	20922.1000.....	13	23254.0000.....	25
01382.0000.....	11,31	07038.0000.....	31	20922.1002.....	13	23255.0000.....	25
01382.0003.....	5,7	07073.0000.....	9	20936.1000.....	13	23256.0000.....	25



## NUMERICAL INDEX

PART NO.	PAGE NO.	PART NO.	PAGE NO.	PART NO.	PAGE NO.	PART NO.	PAGE NO.
23696.0000.....	33	27370.0000.....	23	28318.0000.....	35	37861.0000.....	35
23717.0003.....	13	27370.0002.....	23	28377.0000.....	9	37861.0003.....	35
23721.0000.....	17	27473.0000.....	13	28479.0000.....	17	37862.0000.....	35
23820.1000.....	17	27574.0000.....	27	28480.0000.....	17	37863.0000.....	35
23904.0000.....	35	27657.0000.....	31	28481.0000.....	17	37881.0000.....	5
23904.0001.....	35	27691.0001.....	31	28706.0002.....	27	37907.0001.....	31
24462.0002.....	39	27705.0000.....	37	29075.0000.....	27	37961.0000.....	33
24613.0001.....	21	27746.0000.....	33	29162.0000.....	35	38030.0000.....	31
24684.0000.....	21	27748.0000.....	33	29179.0001.....	33	38039.0000.....	33
25102.0000.....	33	27760.0000.....	7	29264.0000.....	27	38045.0000.....	31
25134.0000.....	17	27760.0001.....	7	29331.0000.....	5	38575.0000.....	35
25134.0001.....	17	27760.0002.....	7	29384.0000.....	7	38894.0001.....	33
25151.0000.....	5	27760.0004.....	7	29421.0000.....	15	38936.0000.....	7
25292.0000.....	31	27765.0003.....	7	29444.0000.....	35	38936.0001.....	7
25376.0000.....	5	27788.0000.....	33	29444.0001.....	35	38936.0003.....	7
25376.0001.....	5	27790.1000.....	33	29444.0002.....	35	38936.0007.....	7
25376.0002.....	5	27791.0001.....	35	29444.0005.....	35	38936.0009.....	7
25468.0002.....	11	27791.0002.....	35	29444.0007.....	35	38936.1001.....	7
25513.0000.....	11	27791.0004.....	35	29444.0008.....	35	38936.1005.....	7
25645.0002.....	35	27791.0005.....	35	29911.0000.....	39	38949.0000.....	19
25646.0002.....	35	27943.1001.....	31	29914.0000.....	39	39053.0004.....	35
25648.0000.....	11	27945.0001.....	33	29915.0000.....	39	39178.0000.....	31
25654.0000.....	11	27945.0003.....	33	29916.0000.....	39	39248.0000.....	31
25662.0000.....	11	27945.0006.....	33	32238.0000.....	15	39803.0000.....	7
26263.0000.....	11	27945.0007.....	33	32241.0000.....	15	40670.0005.....	25
26303.0002.....	5	28004.0001.....	33	32242.0000.....	15	41259.1003.....	13
26303.0003.....	5	28005.0000.....	17	32242.0001.....	15	41266.0000.....	13
26303.0004.....	5	28020.0000.....	17	32323.0001.....	7	41280.0001.....	13
26504.0000.....	7	28021.0000.....	17	32332.0000.....	29	46437.0000.....	35
26528.0000.....	7	28058.0000.....	35	32400.0000.....	9	M2517.0000.....	19
26622.0001.....	13	28058.0001.....	35	32400.0001.....	9	M2517.0000.....	27
26722.0000.....	33	28177.0001.....	33	32400.0002.....	9	M2522.1000.....	13
26810.0000.....	35	28190.0001.....	35	32400.0003.....	9		
26826.0000.....	15	28190.0002.....	35	32540.0000.....	7		
26829.0000.....	15	28192.0000.....	5	32591.0007.....	23		
26835.1000.....	5	28192.0001.....	5	32591.0011.....	15		
26835.1001.....	5	28192.0002.....	5	32591.1000.....	23		
26840.0001.....	5	28192.0003.....	5	32591.1002.....	15		
26840.1000.....	5	28192.0007.....	5	32864.0000.....	19		
26840.1002.....	5	28192.0008.....	5	32865.0000.....	19		
26840.1004.....	5	28192.0009.....	5	32965.0000.....	39		
26840.1005.....	5	28192.0010.....	5	33089.0000.....	39		
26840.1007.....	5	28218.0000.....	5	34130.0000.....	31		
26846.0000.....	25	28218.0003.....	5	34288.0000.....	29		
26846.0002.....	25	28218.0009.....	5	34464.0000.....	35		
26848.1002.....	5	28218.0010.....	5	34956.0000.....	25		
26858.0000.....	35	28218.0011.....	5	34956.0001.....	25		
26916.0000.....	7	28221.0000.....	5	35052.0001.....	25		
26924.0000.....	25	28221.0001.....	5	35052.1000.....	25		
26949.0000.....	7	28234.0000.....	33	35086.0000.....	15		
26971.1000.....	7	28264.0000.....	33	35334.0002.....	5		
27035.0000.....	11	28302.1000.....	31	36398.0000.....	7		
27083.0000.....	19	28303.0001.....	31	37524.0000.....	15		
27150.0000.....	7	28304.0000.....	31	37526.0000.....	15		
27181.0001.....	33	28305.0000.....	31	37859.0000.....	35		
27253.0001.....	33	28309.0000.....	17	37859.0005.....	35		