



A Division Of The Legacy Companies

## Models FL-121, PT-151, PT-301

### Pot Utencil Washer

Project Name:	
Location:	
Item:	Qty:
Model:	

**NEED A HEAVY-DUTY SOLUTION FOR THOSE TOUGH-TO-CLEAN STOCK AND SAUCE POTS, BAKING OR ROASTING PANS AND ALL THOSE KITCHEN UTENSILS THAT NEED TO BE CLEANED AND SANITIZED? AVAILABLE WITH YOUR CHOICE OF GENERAL PURPOSE AND SPECIALTY RACKS, BLAKESLEE POT AND UTENSIL WASHERS CAN HANDLE THE JOB IN A SINGLE PASS, WITHOUT PRESOAKING OR MANUAL SCRUBBING.**

#### FEATURES

- A heavy-duty stainless steel welded frame that provides tank stability and extra strength.
- Four heavy duty scrap screens on FL121 and PT151 models, and eight on PT-301.
- We keep it simple with an easy-to-remove manual drain valve.
- When steam is available, steam injection or steam coil heated tanks can be specified to reduce water-heating costs.
- A powerful 7.5 horsepower [singlerack] or 10 horsepower [double rack] pump provides high-pressure wash and rinse of greasy, baked-on soils.
- Separate, precision-engineered wash and rinse spray arms that ensure thorough cleaning & sanitation.
- Cable assisted door makes loading and unloading fast and easy.
- Dual-spring counter weight balanced lift-up door is easy to open and close.
- Lower wash and rinse spray arms and upper wash arms are easy to remove for cleaning.
- A safety cut-off switch stops the wash or rinse cycle when the door is opened.
- Controls are front mounted.
- Guages are mounted at eye level on PT151 & PT-301.



#### OPTIONS

- Built-in electric or steam heated Water Booster Heater
- Built-in Vent Fan
- Hold-Down Grids for small utensils.
- Racks for sheet pans, utensils, cake pans and general use, plus custom racks.
- Choice of front loading or pass-through models.
- Choice of single or double rack models [passthroughonly].
- Available in 208, 240 or 440/480 3-phase models.

Model Number	Pot Washer Type	Motor	Racks Per Hour
FL-121	Front Load-Single Rack	7.5 HP	26/hr
PT-151	Pass Thru-Single Rack	7.5 HP	26/hr
PT-301	Pass Thru-Double Rack	10 HP	52/hr

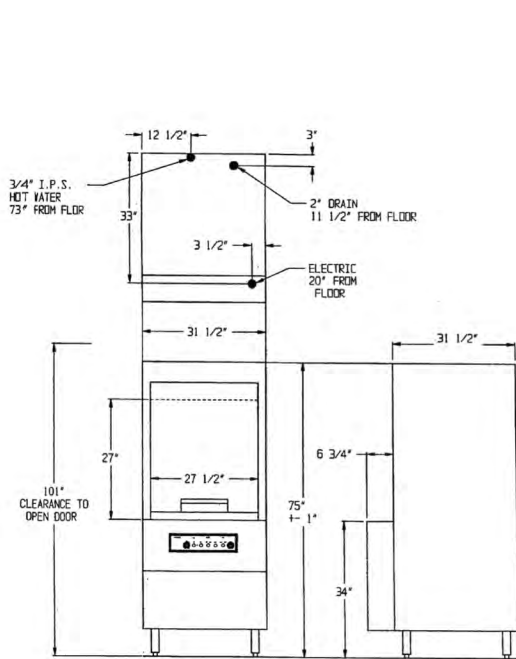


A Division Of The Legacy Companies

Pot Utencil Washer

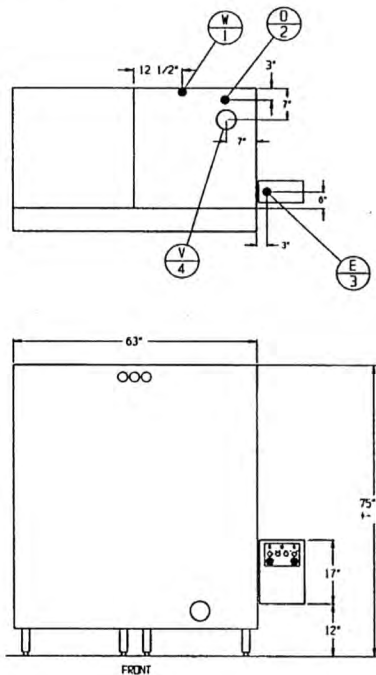
**Single Rack**

FL-121 & PT-151



**Double Rack**

PT-301



HK. NO.	SERVICE CONNECTION	FITTING	FUNCTION	DIM. FROM FLOOR
V 1	180° HOT WATER	1"	TANK FILL INLET	73"
D 2	DRAIN	2"	DRAIN	11 1/2"
E 3	ELECTRIC	1"	CONTROL PANEL	12"
V 4	VENT	6"	VENT DUCT	73"

Model	Description	Width	Depth	Height
FL-121	Front Load - Single Rack	31.5" (800 mm)	33" (838 mm)	75" (1905 mm)
PT-151	PassThru - Single Rack	31.5" (800 mm)	33" (838 mm)	75" (1905 mm)
PT-301	PassThru - Double Rack	31.5" (800 mm)	63" (1600 mm)	75" (1905 mm)