



# BEVERAGE-AIR

3779 Champion Blvd., Winston-Salem, NC 27105  
1-888-845-9800 Fax# 1-336-245-6453  
<http://www.Beverage-Air.com>

**CUSTOMER'S CHOICE FOR A HOT KITCHEN**  
**Tested & Certified to Ambient Class of 100°F**

Item No. \_\_\_\_\_  
Quantity \_\_\_\_\_

## BOTTOM MOUNTED REACH-IN REFRIGERATORS

Horizon Series  
Full Solid & Half Solid Doors

MODEL:  
HBR23-1-S / HBR23-1-HS  
HBR27-1-S / HBR27-1-HS  
HBR44-1-S / HBR44-1-HS  
HBR49-1-S / HBR49-1-HS  
HBR49-1-S / HBR49-1-HS  
HBR72-1-S / HBR72-1-HS

### 3 Year Parts/Labor Warranty Additional 2 Year Compressor Warranty

#### CABINET CONSTRUCTION

- Exterior—Stainless steel interior and exterior standard.
- Insulation—foamed-in-place CFC and HCFC-free polyurethane insulation.
- One-piece grille allows easy removal/installation for preventative maintenance.

#### ELECTRONIC CONTROL

- Electronic thermostat provides a digital display of cabinet temperatures, which includes status indicators and key pad for any necessary temperature adjustments.

#### REFRIGERATION SYSTEM

- Bottom mount balanced refrigeration system for better ergonomics.
- Automatic condensate evaporation system for energy efficiency.
- Forced-air system ensures uniform distribution of airflow throughout the entire cabinet for even product temperatures; maintains product temperatures between 36 - 38°F.
- Self-contained refrigeration system uses environmentally friendly (CFC and HCFC-free) R134A refrigerant.

#### DOORS

- Choose from full solid or half solid door configuration.
- Anti-microbial door handles and door locks are standard. (*solid doors only*)
- Spring-loaded hinges standard. Positive seal self-closing door(s) with 120° stay open feature.
- Plug-in magnetic door gaskets of one piece construction, removable without tools for ease of cleaning.

#### SHELVING

- Three (3) heavy duty epoxy coated wire shelves per section standard. Four (4) shelf clips included per shelf (field installed).
- Shelves are adjustable in 1/2" increments.

#### MODEL FEATURES

- LED lighting option standard
- 6" heavy-duty casters included, two with brakes standard. 3" casters or 6" legs optional.
- Pre-wired plug for 115/60/1 phase.
- Epoxy coated evaporator prevents corrosion.
- UL-EPH and CUL for open food product.



HBR23-1-HS



HBR49-1-S

Available From:



\*Note: Not all markings may apply to all model variations.

Model Specified \_\_\_\_\_

Store# \_\_\_\_\_

Location \_\_\_\_\_

Quantity \_\_\_\_\_



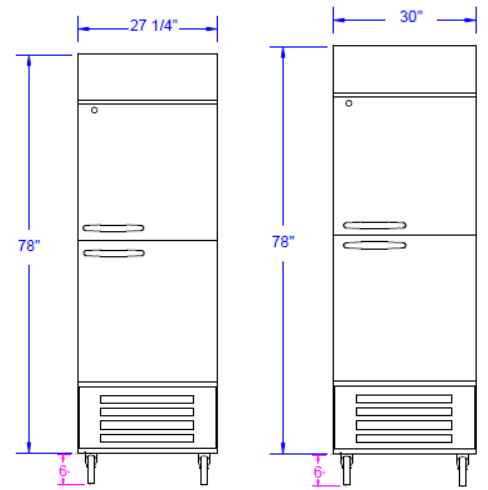
**BEVERAGE-AIR**

**Horizon Bottom Mount Refrigerators**

Models: HBR23, HBR27, HBR44, HBR49, HBR72

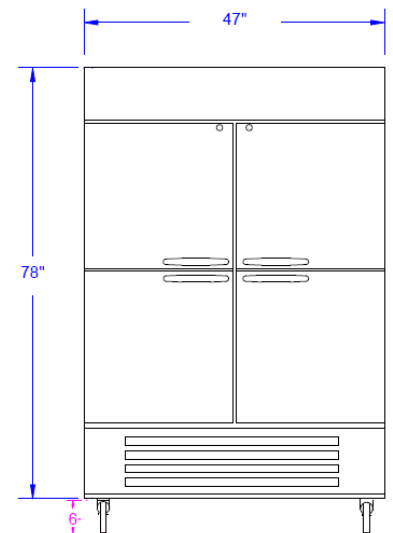
MODEL	HBR23	HBR27	HBR44	HBR49	HBR72
<b>EXTERNAL DIMENSIONAL DATA</b>					
Length Overall (inches) Length Overall (mm)	27 1/4" 692	30" 762	47" 1193	52" 1321	75" 1905
Depth Overall (inches) - includes handle Depth Overall (mm) - includes handle	33 3/4" 857	33 3/4" 857	33 3/4" 857	33 3/4" 857	33 3/4" 857
Height Overall—(inches) / (mm) Add 6" for legs or casters	78" / 1981	78" / 1981	78" / 1981	78" / 1981	78" / 1981
Number of doors	1	1	2	2	3
Depth with Door Open 90 °	60"	60"	60"	60"	60"
<b>INTERNAL DIMENSIONAL DATA</b>					
NET Capacity (cubic ft.) NET Capacity (Liters)	23 651	27 765	44 1246	49 1388	72 2039
Internal Length Overall (inches) Internal Length Overall (mm)	24" 610	27" 686	44" 1117	49" 1245	72" 1829
Internal Depth Overall (inches) Internal Depth Overall (mm)	28 1/2" 724	28 1/2" 724	28 1/2" 724	28 1/2" 724	28 1/2" 724
Internal Height Overall—(inches) Internal Height Overall—(mm)	61 3/4" 1569	61 3/4" 1569	61 3/4" 1569	61 3/4" 1569	61 3/4" 1569
Number of shelves	3	3	6	6	9
<b>ELECTRICAL DATA</b>					
Full Load Amperes 115/60/1	5.8 A	5.8 A	8.8 A	8.8 A	9.9 A
<b>REFRIGERATION DATA</b>					
Horsepower	1/3	1/3	1/3	1/3	1/2
<b>WEIGHT DATA</b>					
Gross Weight (Crated lbs)	400	373	530	608	715
Gross Weight (Crated kg)	181	169	240	276	324

**PLAN VIEWS**

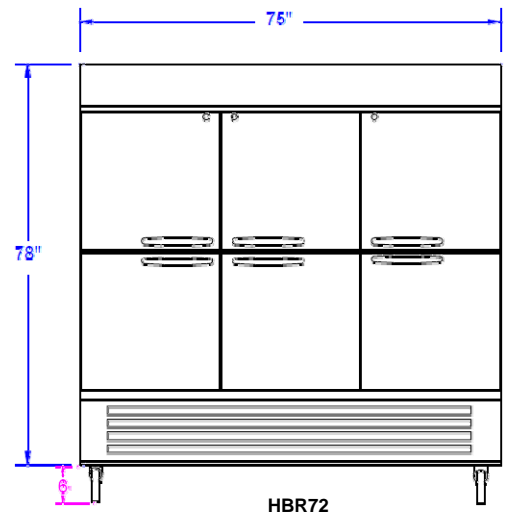


HBR23

HBR27



HBR44

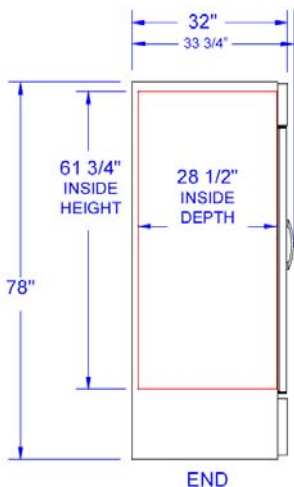


HBR49

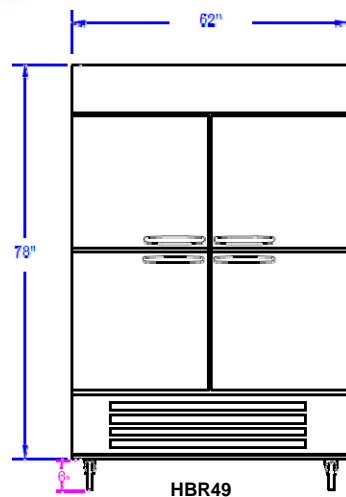
HBR72



Note: Not all markings may apply to all model



END



**BEVERAGE-AIR® CORPORATION**

3779 Champion Blvd. • Winston-Salem, NC 27105 USA • (336) 245-6400 • Fax (336) 245-6453 • (888) 845-9800 • www.beverage-air.com

Specifications are subject to change without prior notice. 02/16