

AMERISINK

HERITAGE

UNDERMOUNT STAINLESS STEEL SINK

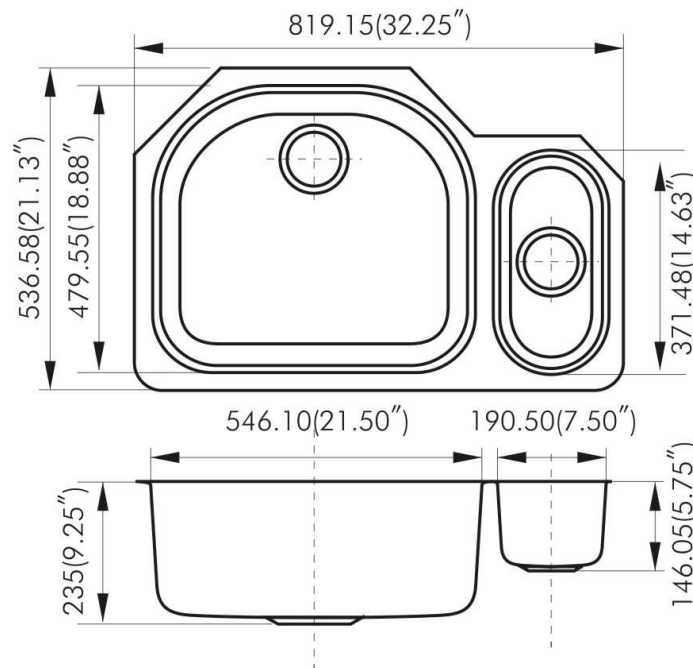
AS319

Features

- 32" x 21" x 9⁵/₈"
- 16 gauge, 304 type series stainless steel
- Undermount
- 18/10 chrome/nickel content
- Long-lasting, easy-to-clean, brushed finish
- Limited lifetime warranty



Product Diagram



WWW.AMERISINK.COM

877-500-7465

West Coast Warehouse: 510-667-9998 ▲ East Coast Warehouse: 404-691-5088