

AMERISINK

Porcelain

AS223

Features

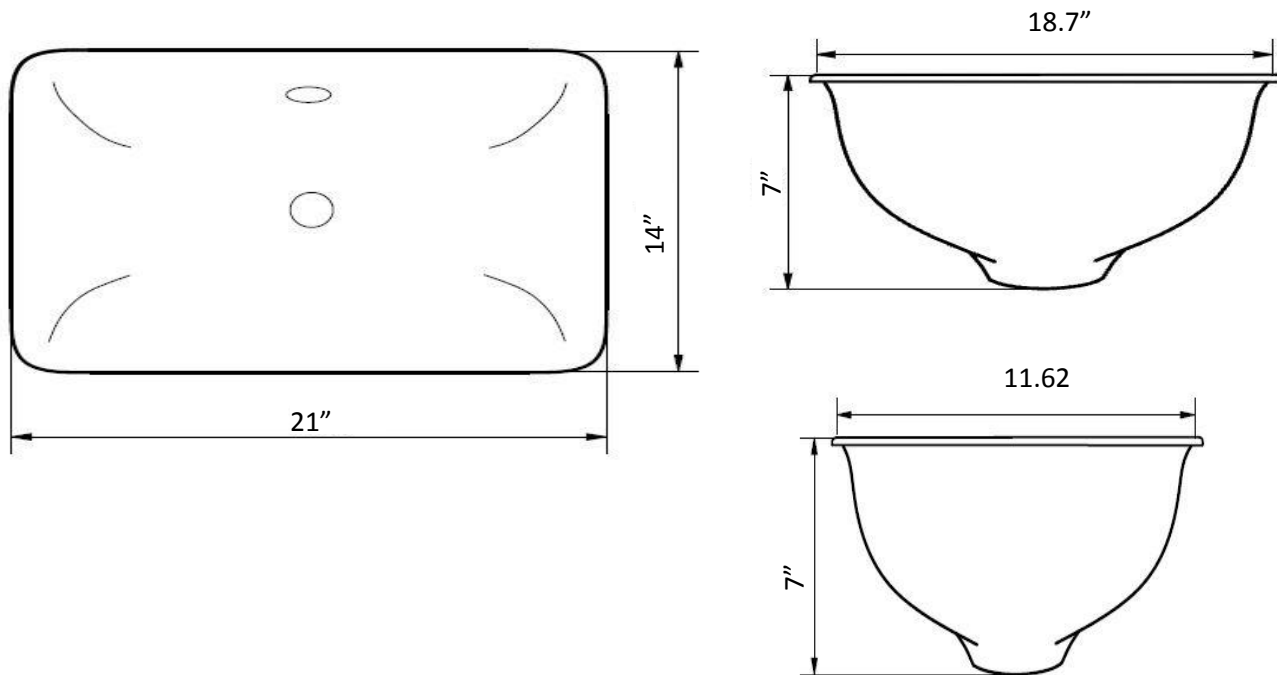
- 21" x 14" x 7"
- Vitreous china
- Easy maintenance
- Sleek and stylish
- One year limited warranty

Colors

- White



Product Diagram



WWW.AMERISINK.COM

877-500-7465

West Coast Warehouse: 510-667-9998 ▲ East Coast Warehouse: 404-691-5088

