

AmeriSink

Porcelain

AS221

Features

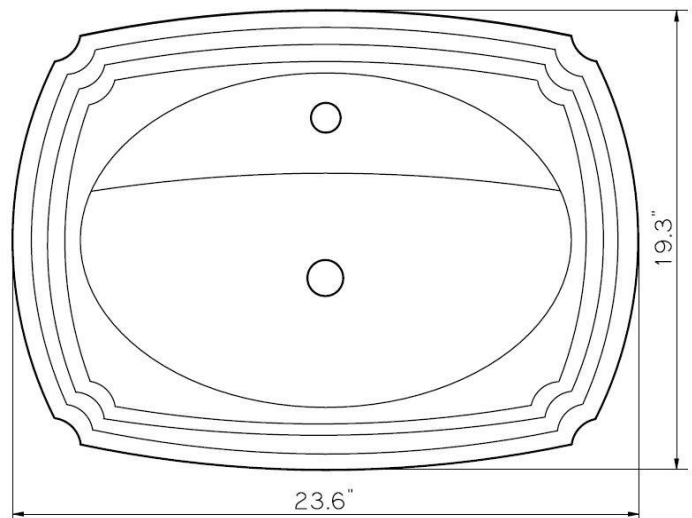
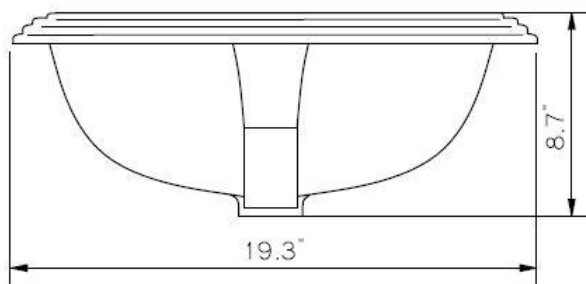
- 23.6" x 19.3" x 8.7"
- Vitreous china
- Easy maintenance
- Sleek and stylish
- One year limited warranty

Colors

- White



Product Diagram



www.amerisink.com

877-500-7465

West Coast Warehouse: 510-667-9998 ▲ East Coast Warehouse: 404-691-5088

