

# AMERISINK

Porcelain

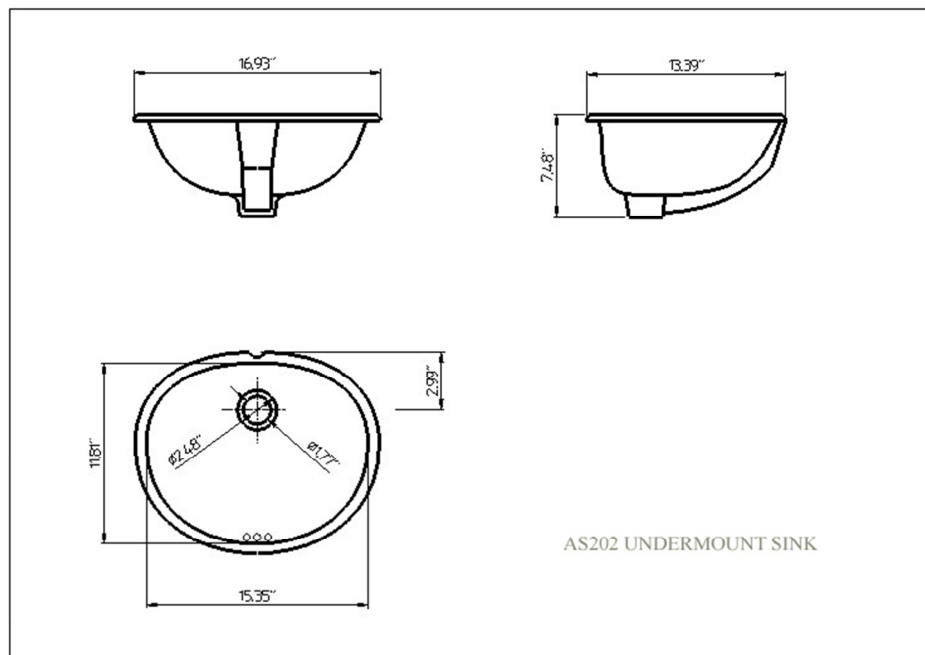
AS202

## Features

- 17" x 14" x 7"
- Vitreous China
- White
- Under mount installation
- One year limited warranty



AS202



## Product Diagram

WWW.AMERISINK.COM

877-500-7465

West Coast Warehouse: 510-667-9998 ▲ East Coast Warehouse: 404-691-5088