

AMERISINK

ECONOMY

TOP MOUNT STAINLESS STEEL SINK

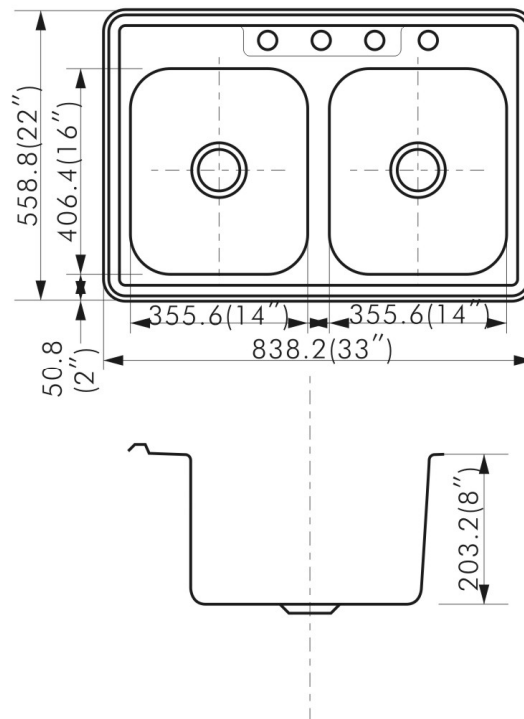
AS127

Features

- One piece construction
- 33" x 22" x 8"
- 18 gauge, 304 type series stainless steel
- 18/10 chrome/nickel content
- Long-lasting, easy-to-clean, brushed finish
- Limited lifetime warranty



Product Diagram



WWW.AMERISINK.COM

877-500-7465

West Coast Warehouse: 510-667-9998 ▲ East Coast Warehouse: 404-691-5088